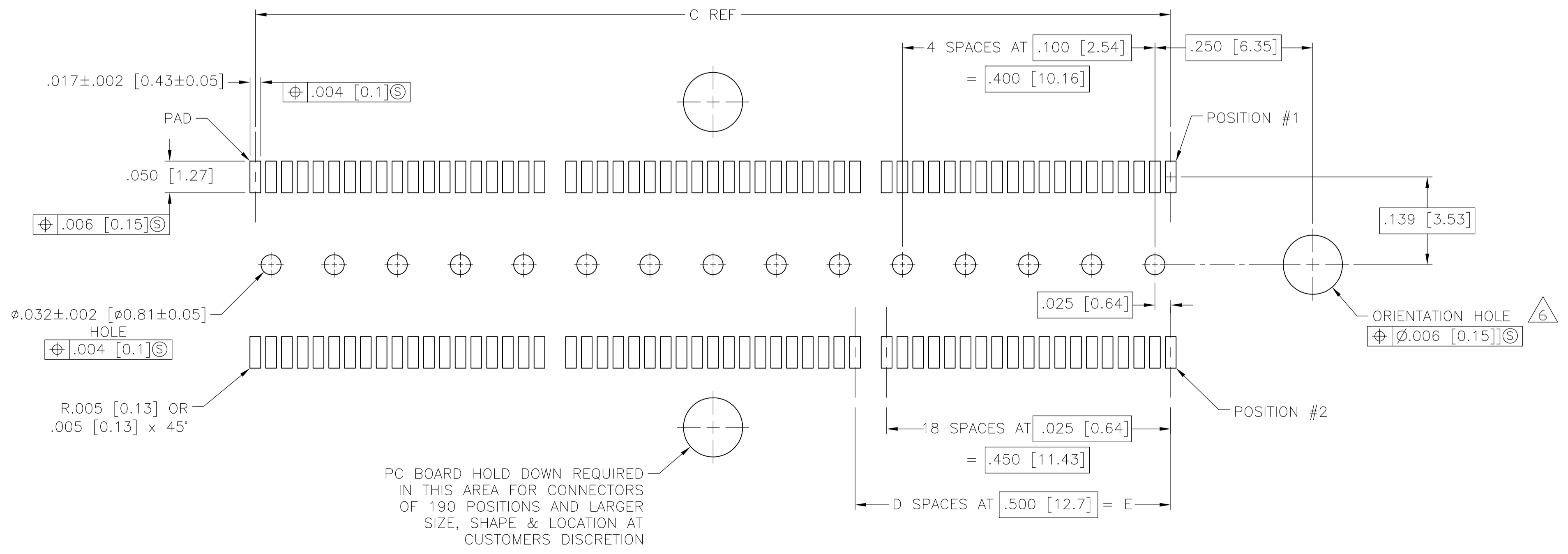
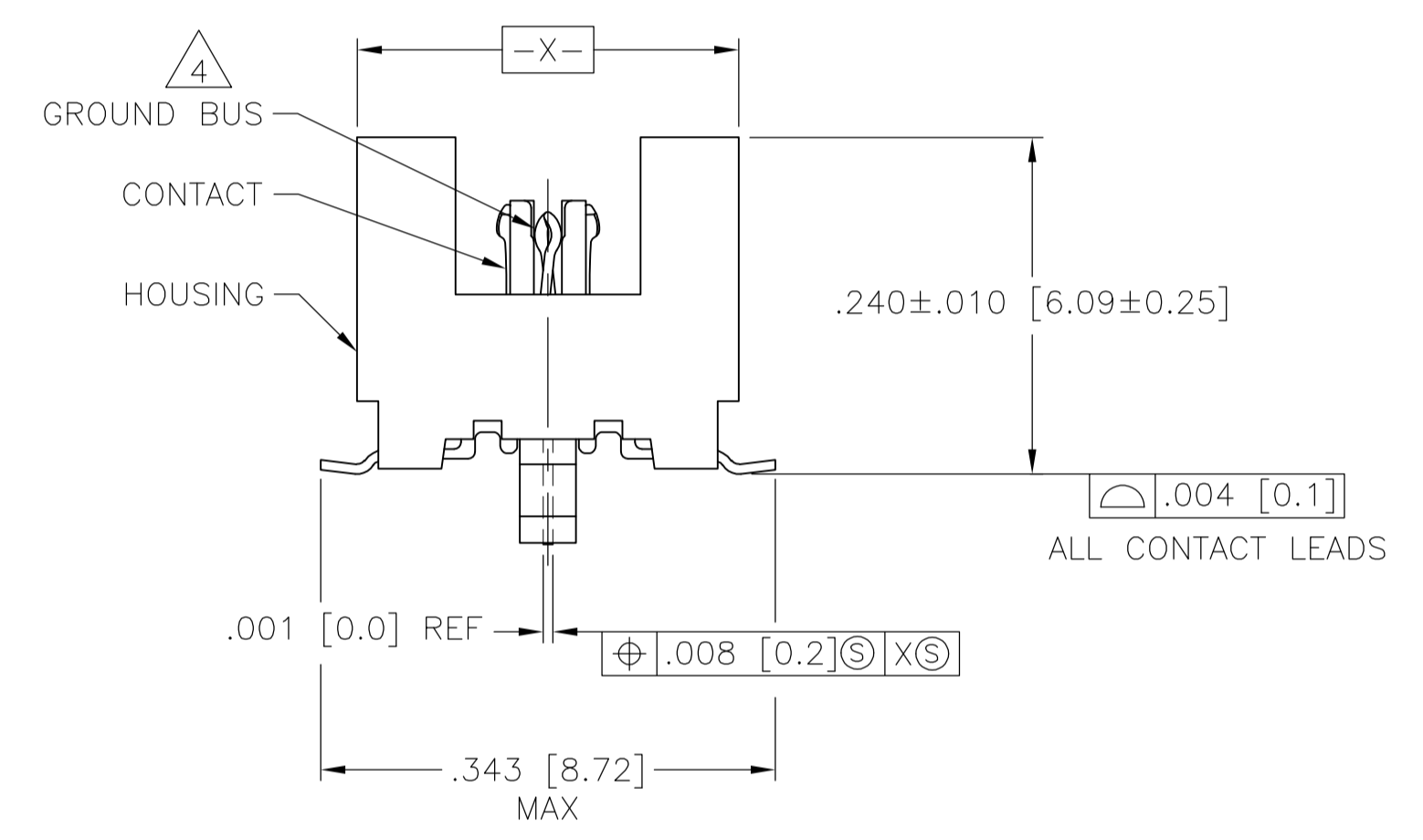
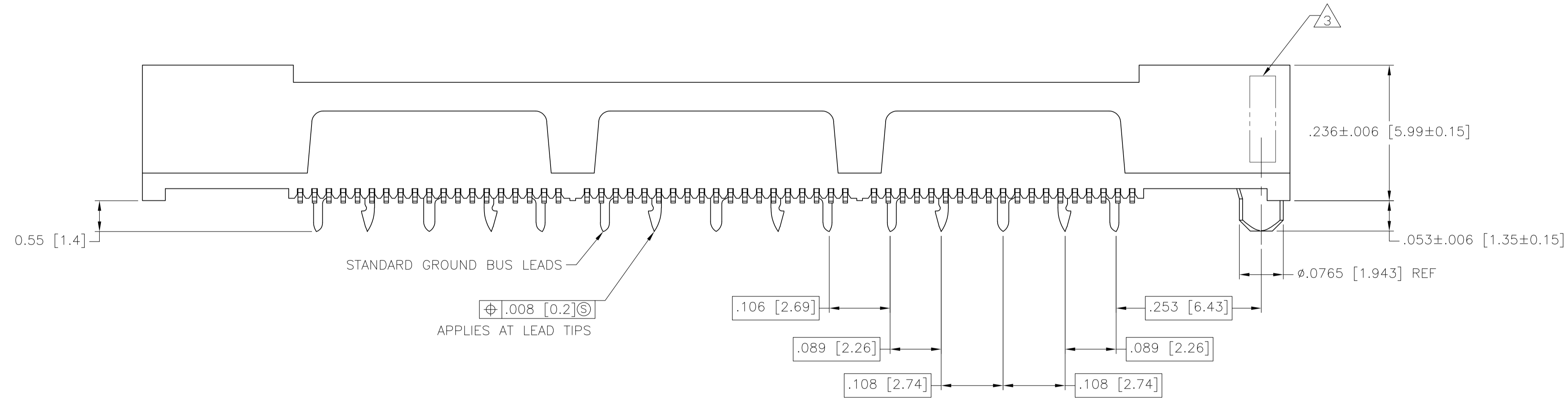


- $\triangle 1$ HOUSING: LIQUID CRYSTAL POLYMER, BLACK.
CONTACTS: HIGH RELIABILITY COPPER ALLOY.
GROUND BUSES: PHOSPHOR BRONZE ALLOY, UNS C51100.
- $\triangle 2$ CONTACTS & GROUND BUSES: NICKEL UNDERPLATE ALL OVER, MATING SURFACE PLATED TO MEET LEVEL 2 PERFORMANCE REQUIREMENTS OF TE PRODUCT SPECIFICATION 108-1422, SOLDER TAILS PLATED TIN-LEAD.
- $\triangle 3$ DATE CODE MARKED IN AREA INDICATED ON SIDE OPPOSITE POSITION #1.
- $\triangle 4$ ONE GROUND BUS WITH 5 TAILS PER EACH MODULE.
- $\triangle 5$ TOLERANCE NON-ACCUMULATIVE.
- $\triangle 6$ FOR STANDARD APPLICATIONS, ORIENTATION HOLE TO BE $\phi .094 \pm .002$ [2.39 \pm 0.05].
FOR SLIP-FIT APPLICATIONS, ORIENTATION HOLE TO BE $\phi .079 \pm .001$ [2.00 \pm 0.03].



3.000 [76.2]	6	3.450 [87.63]	3.900 [99.06]	4.000 [101.6]	266	767181-7
2.500 [63.5]	5	2.950 [74.93]	3.400 [86.36]	3.500 [88.9]	228	767181-6
2.000 [50.8]	4	2.450 [62.23]	2.900 [73.66]	3.000 [76.2]	190	767181-5
1.500 [38.1]	3	1.950 [49.53]	2.400 [60.96]	2.500 [63.5]	152	767181-4
1.000 [25.4]	2	1.450 [36.83]	1.900 [48.26]	2.000 [50.8]	114	767181-3
.500 [12.7]	1	.950 [24.13]	1.400 [35.56]	1.500 [38.1]	76	767181-2
.000 [0]	0	.450 [11.43]	.900 [22.86]	1.00 [25.4]	38	767181-1
E	D	C	B	A	NO OF POSN	PART NUMBER

RECOMMENDED PC BOARD LAYOUT
(VIEWED FROM CONNECTOR SIDE)

THIS DRAWING IS A CONTROLLED DOCUMENT.

DIMENSIONS: INCHES[mm]	TOLERANCES UNLESS OTHERWISE SPECIFIED:	DIN B CARDO 06AUG02	APVD D DIXON 06AUG02	NAME Tyco Electronics Corporation Harrisburg, PA 17105-3608
$\begin{matrix} \oplus \\ \oplus \end{matrix}$	0 PLC $\pm -$	1 PLC $\pm -$	2 PLC $\pm -$	3 PLC $\pm .005$ [0.13]
$\begin{matrix} \oplus \\ \oplus \end{matrix}$	4 PLC $\pm -$	ANGLES $\pm -$	PRODUCT SPEC 108-1422	APPLICATION SPEC 114-11004
MATERIAL $\triangle 1$	FINISH $\triangle 2$	WEIGHT -	SIZE A1	SCALE 8:1

CUSTOMER DRAWING