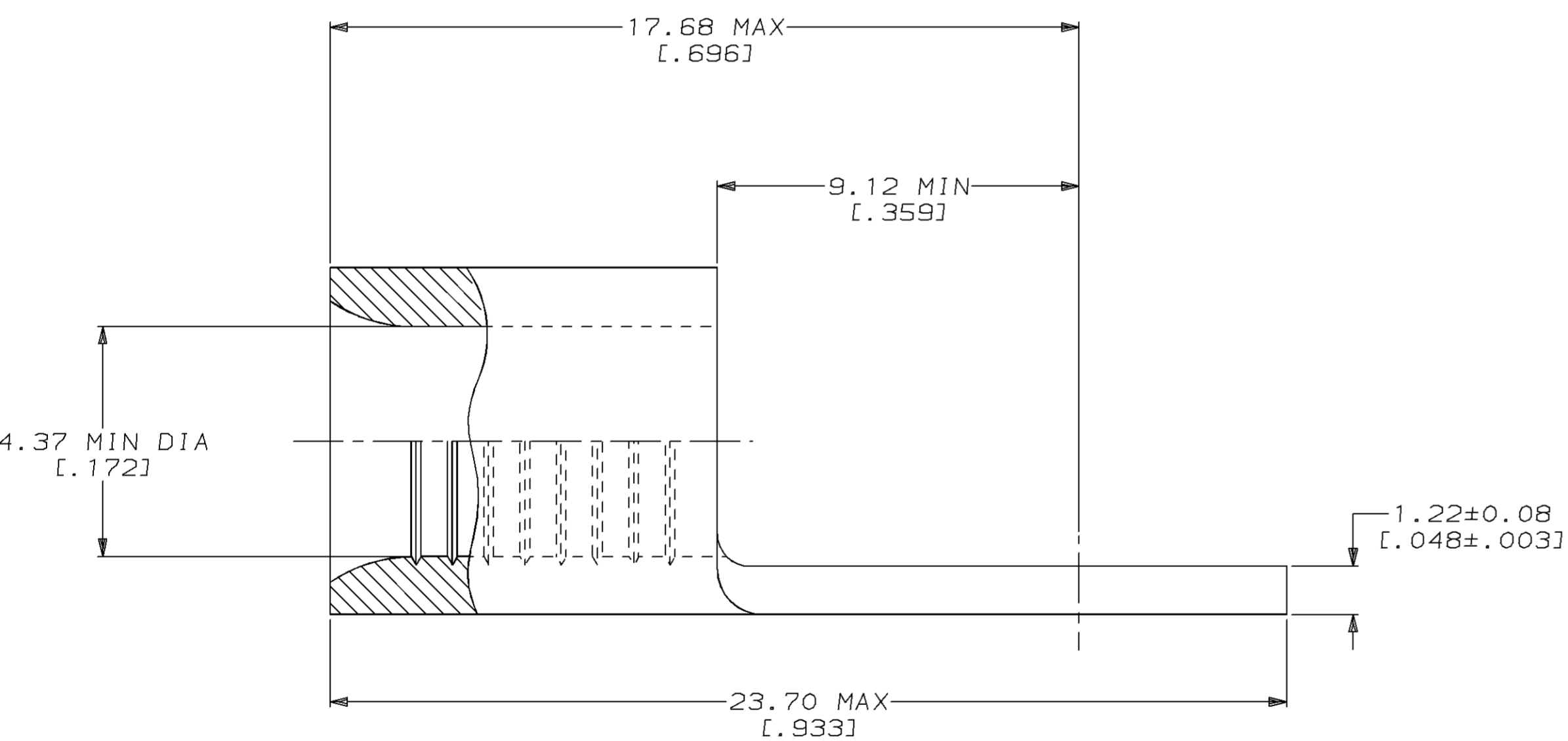
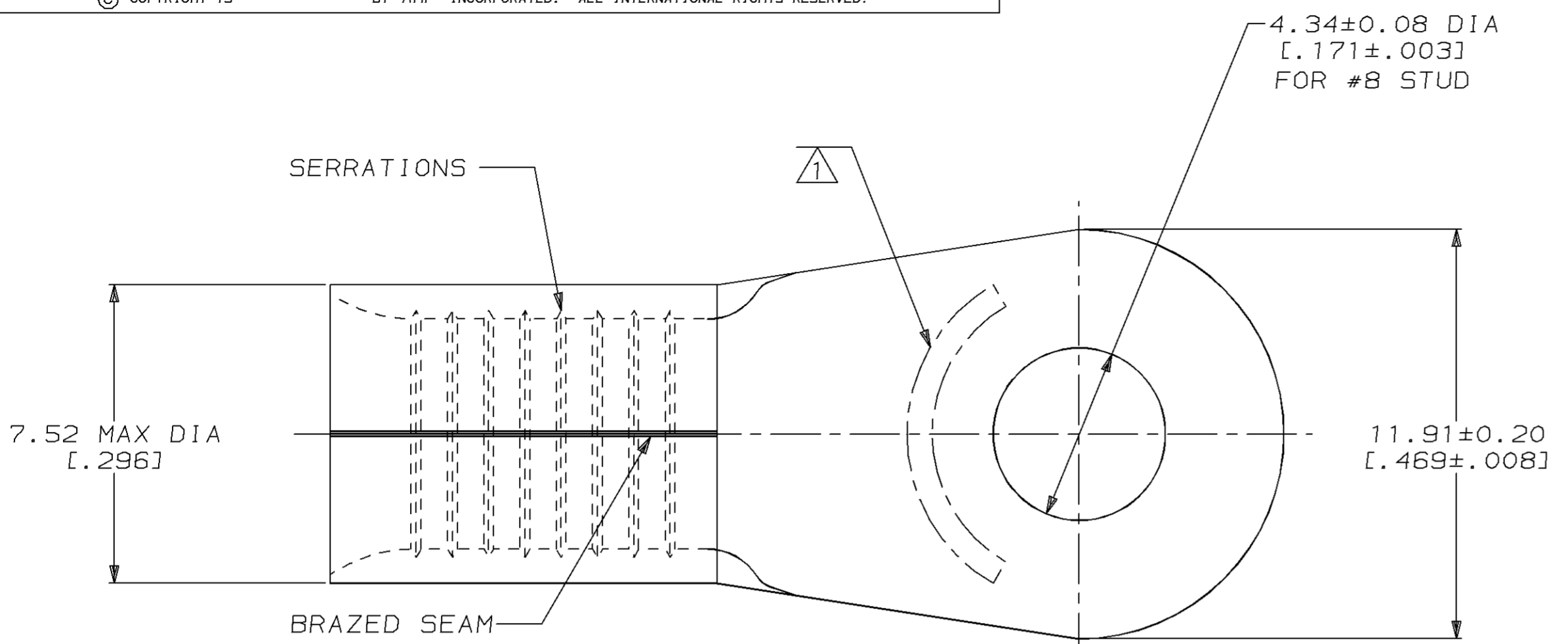


| LOC | DIST | P | F | ZONE | LTR | DESCRIPTION | DATE | APPD |
|-----|------|---|---|------|-----|----------------------------|---------|---------|
| G | 14 | | | | | D REVISED PER 0720-0980-96 | 10JUL96 | OKS MJS |

METRIC
 DIMENSIONS LISTED IN mm [INCHES]

| | |
|-------------------------------|---------------------------|
| AMP WIRE RANGE | UL Listed |
| 8 AWG SOLID OR STRANDED | 8 AWG STRANDED |
| SR LR7189 Certified | MILITARY P/N AND CLASS |
| 8 AWG SOLID OR STRANDED | NOT APPLICABLE |

△ STAMP AMP 8* APPROX AS SHOWN



| 100 | LOOSE PIECE, BOX | 8-32996-1 |
|----------|------------------|-----------------|
| 1000 | ON TAPE, REEL | 32996-1 |
| -- | LOOSE PIECE | 32996 |
| QUANTITY | PACKAGE TYPE | AMP PART NUMBER |

AMP INCORPORATED
CUSTOMER SERVICE SYSTEMS

| | |
|--|--|
| FOR ADDITIONAL PRODUCT INFORMATION OR COPIES OF DRAWINGS AND TECHNICAL DOCUMENTS | PRODUCT INFORMATION CENTER 1-800-522-6752 |
| FOR APPLICATION TOOLING INFORMATION | TOOLING ASSISTANCE CENTER 1-800-722-1111 |
| FOR ORDER ENTRY | 1-800-526-5142 |

MAX RECOMMENDED OPERATING TEMPERATURE:
 170°C MAX

VOLTAGE RATING:
 NOT APPLICABLE

WIRE CROSS SECTIONAL AREA RANGE:
 6.64-10.5MM² [13,100-20,800] CIR MILS
 SOLID OR STRANDED

THIS DRAWING IS A CONTROLLED DOCUMENT FOR AMP INCORPORATED. IT IS SUBJECT TO CHANGE AND THE CONTROLLING ENGINEERING ORGANIZATION SHOULD BE CONTACTED FOR THE LATEST REVISION.

DO NOT SCALE PRINT. UNLESS SPECIFIED DIMENSIONS IN mm [INCHES]— TOLERANCES ON :
 2 PLC DEC ± -
 3 PLC DEC ± -
 ANGLES ± -

MATERIAL
 COPPER PER ASTM B-152 ANNEALED

FINISH
 TIN PLATE 0.00254[.000100] MIN THK PER MIL-T-10727

DR 3-24-93
 TA BRINKMAN

CHK 3-24-93
 DA PATTERSON

APPD 3-24-93
 DE MILLER

APPD 3-24-93
 JL MECKLEY

PRODUCT SPEC
 -

APPLICATION SPEC
 -

WEIGHT
 -

AMP AMP Incorporated
 Harrisburg, PA 17105-3608

NAME
TERMINAL, RING TONGUE, SOLISTRAND™

| | | |
|--------------|--------------------|-----------------------|
| SIZE C | CAGE CODE 00779 | DRAWING NO G-32996 |
| SCALE 8:1 | SHEET 1 OF 1 | |