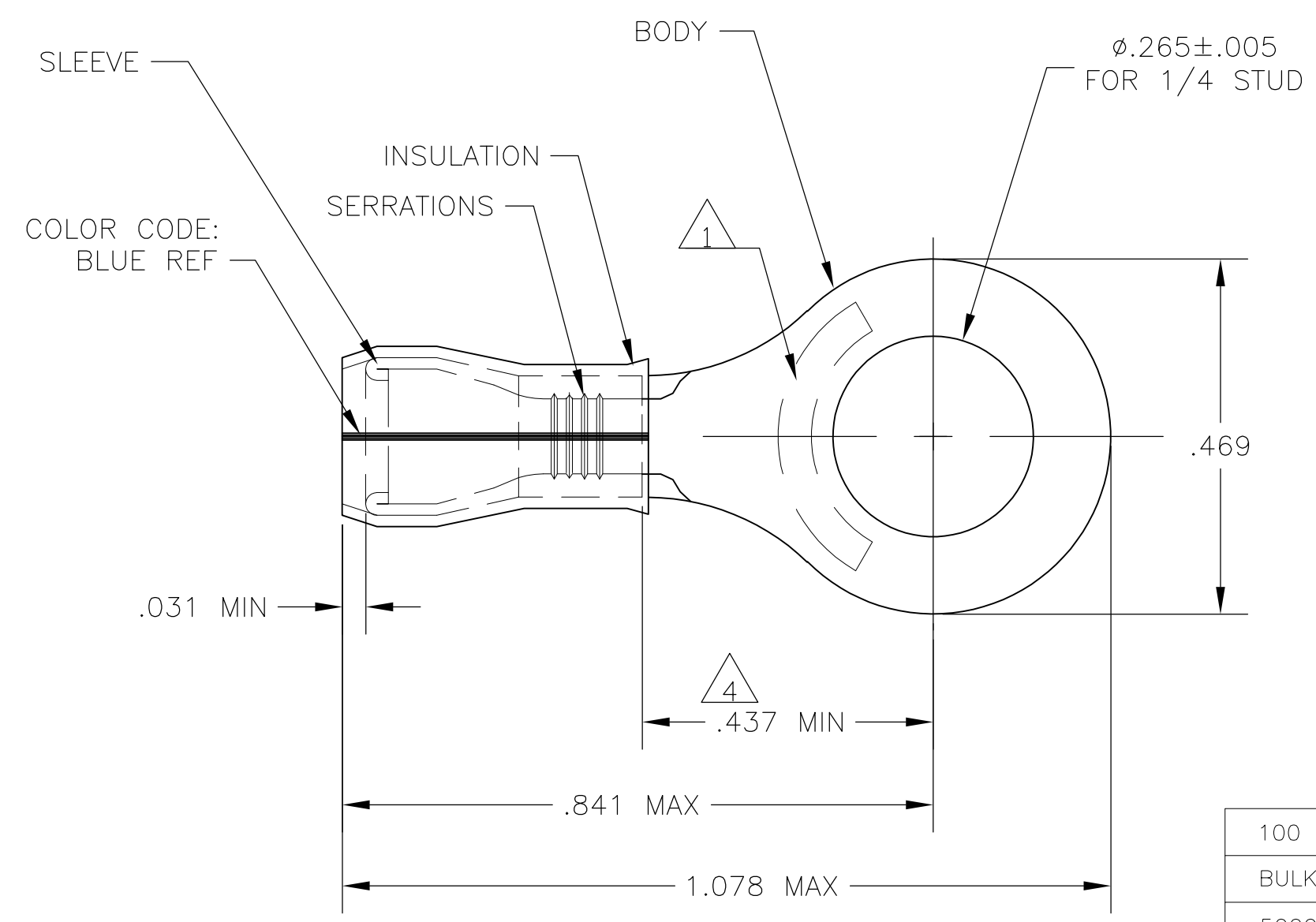


THIS DRAWING IS UNPUBLISHED. RELEASED FOR PUBLICATION  
 © COPYRIGHT BY TYCO ELECTRONICS CORPORATION. ALL RIGHTS RESERVED.

LOC	DIST	REVISIONS					
G	14	P	LTR	DESCRIPTION	DATE	DWN	APVD
			R2	REV PER ECR 09-026074	30NOV09	JR	TM



- 1 STAMP AMP 16-14\* APPROX AS SHOWN
- 2 WIRE INSULATION DIA: .105-.150
- 3 TONGUE MATERIAL THK: .031±.002
- 4 APPLIES FROM EDGE OF METAL WIRE BARREL TO CENTER OF STUD HOLE.
- 5 MEETS M7928/4-154, CLASS 1 & 2  
MEETS M7928/13-154, CLASS 2
- 6 MEETS M7928/4-154, CLASS 2

QTY	PACKAGE TYPE	MATERIAL & FINISH	PART NO
100	LOOSE PIECE, BOX	SAME AS 53419-1	8-53419-1
BULK	LOOSE PIECE	SAME AS 53419-1	8-53419-0
5000	ON TAPE, REEL	SAME AS 53419-1	6 53419-2
1000	LOOSE PIECE	BODY: COPPER PER ASTM B152 TIN/LEAD (93-7) PLATE PER ASTM B545 ( 3% MIN LEAD CONTENT) SLEEVE: COPPER PER ASTM B152 TIN/LEAD (93-7) PLATE PER ASTM B545 ( 3% MIN LEAD CONTENT) INSULATION: PVF2, COLOR-NATURAL	5 53419-1

THIS DRAWING IS A CONTROLLED DOCUMENT.		DWN JR RUTH 25OCT07	Tyco Electronics Corporation Harrisburg, Pa 17105-3608	
DIMENSIONS: INCHES		CHK T MICHIELUTTI 25OCT07		
		APVD T MICHIELUTTI 25OCT07	NAME TERMINAL, RING TONGUE, PVF2 , P.I.D.G. WIRE SIZE: 16-14 AWG	
TOLERANCES UNLESS OTHERWISE SPECIFIED:		PRODUCT SPEC	SIZE A3	
0 PLC ± -		APPLICATION SPEC	CAGE CODE 00779	DRAWING NO C-53419
1 PLC ± -		WEIGHT	RESTRICTED TO	
2 PLC ± -		CUSTOMER DRAWING		
3 PLC ± .008		SCALE 4:1		
4 PLC ± -		SHEET 1 OF 1		
ANGLES ± -		REV R2		
FINISH				
SEE TABLE				