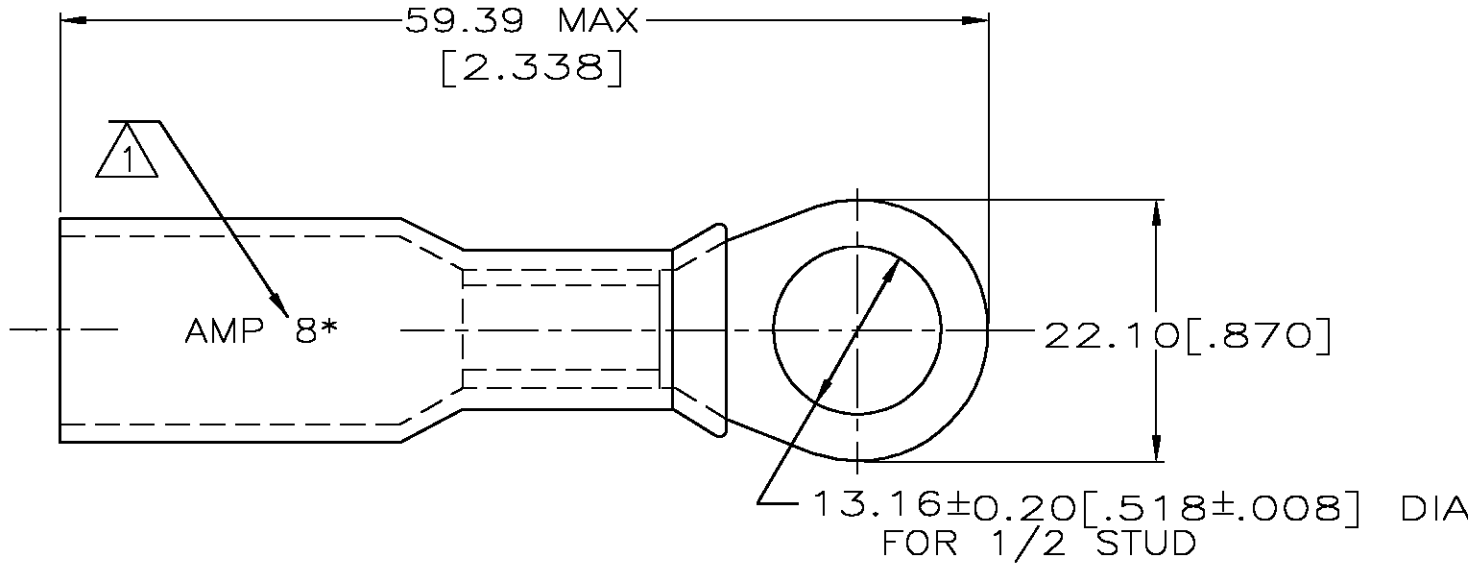


THIS DRAWING IS UNPUBLISHED. RELEASED FOR PUBLICATION .19  
 © COPYRIGHT 19 BY AMP INCORPORATED. ALL INTERNATIONAL RIGHTS RESERVED.

LOC	DIST	P	F	REVISIONS			DATE	APPD
G	14			ZONE	LTR	DESCRIPTION		
					B	REV PER 0G3A-0001-03	07JAN03	JR TM

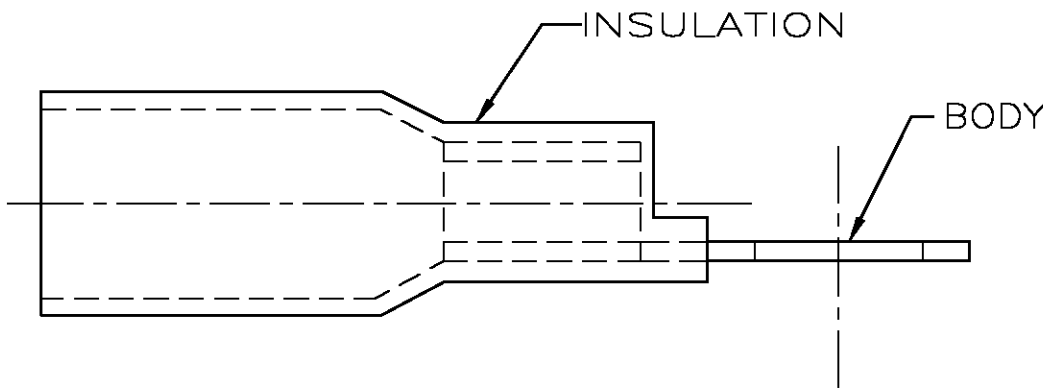
AMP WIRE RANGE	Listed	Certified
8 AWG STRANDED	8 AWG STRANDED	8 AWG STRANDED

**METRIC**  
 DIMENSIONS LISTED IN mm [ INCHES ]



NOTES:

- 1. STAMP AMP 8\* APPROX AS SHOWN
- 2. WIRE INSULATION DIA 7.87mm [.310] MAX
- 3. TONGUE MATERIAL THK 1.14±0.05mm [.045±.002]



AMP INCORPORATED CUSTOMER SERVICE SYSTEMS		MAX RECOMMENDED OPERATING TEMPERATURE: 125° C MAX	DO NOT SCALE PRINT. UNLESS SPECIFIED DIMENSIONS IN mm [INCHES] TOLERANCES ON: 2 PLC DEC ± 0.20[.008] 3 PLC DEC ± - ANGLES ± -	DR 6/93 S S GOULDEN	10	LOOSE PIECE	8-55865-5
FOR ADDITIONAL PRODUCT INFORMATION OR COPIES OF DRAWINGS AND TECHNICAL DOCUMENTS	PRODUCT INFORMATION CENTER 1-800-522-6752	VOLTAGE RATING: 600V MAX (BUILDING WIRING) 1000V MAX (FIXTURES & SIGNS)	MATERIAL BODY: ETP COPPER INSULATION: POLYOLEFIN COLOR: RED	CHK 6/93 R HERSEY	100	LOOSE PIECE	55865-1
FOR APPLICATION TOOLING INFORMATION	TOOLING ASSISTANCE CENTER 1-800-722-1111	CIRCULAR MIL AREA: 6.64-10.54mm <sup>2</sup> [13100-20800] STRANDED	FINISH EDP TIN PLATED	APPD 6/93 B BARE	QTY	PACKAGE TYPE	PART NO
FOR ORDER ENTRY	1-800-526-5142	THIS DRAWING IS A CONTROLLED DOCUMENT FOR AMP INCORPORATED. IT IS SUBJECT TO CHANGE AND THE CONTROLLING ENGINEERING ORGANIZATION SHOULD BE CONTACTED FOR THE LATEST REVISION.		APPD 6/93 M ELLIS			
				PRODUCT SPEC			
				APPLICATION SPEC			
				WEIGHT			
					SIZE	CAGE CODE	DRAWING NO
					B	00779	C-55865
					SCALE	NTS	SHEET 1 OF 1