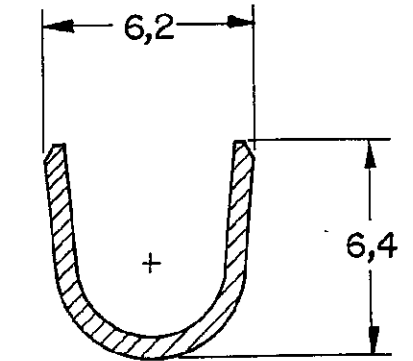
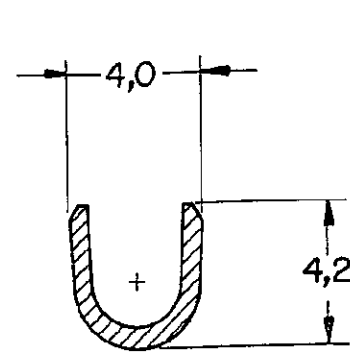
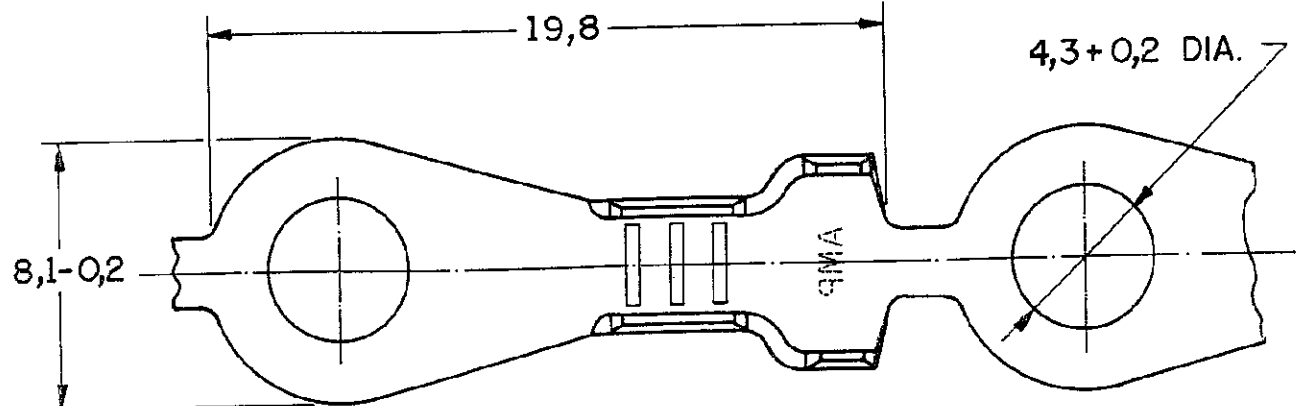


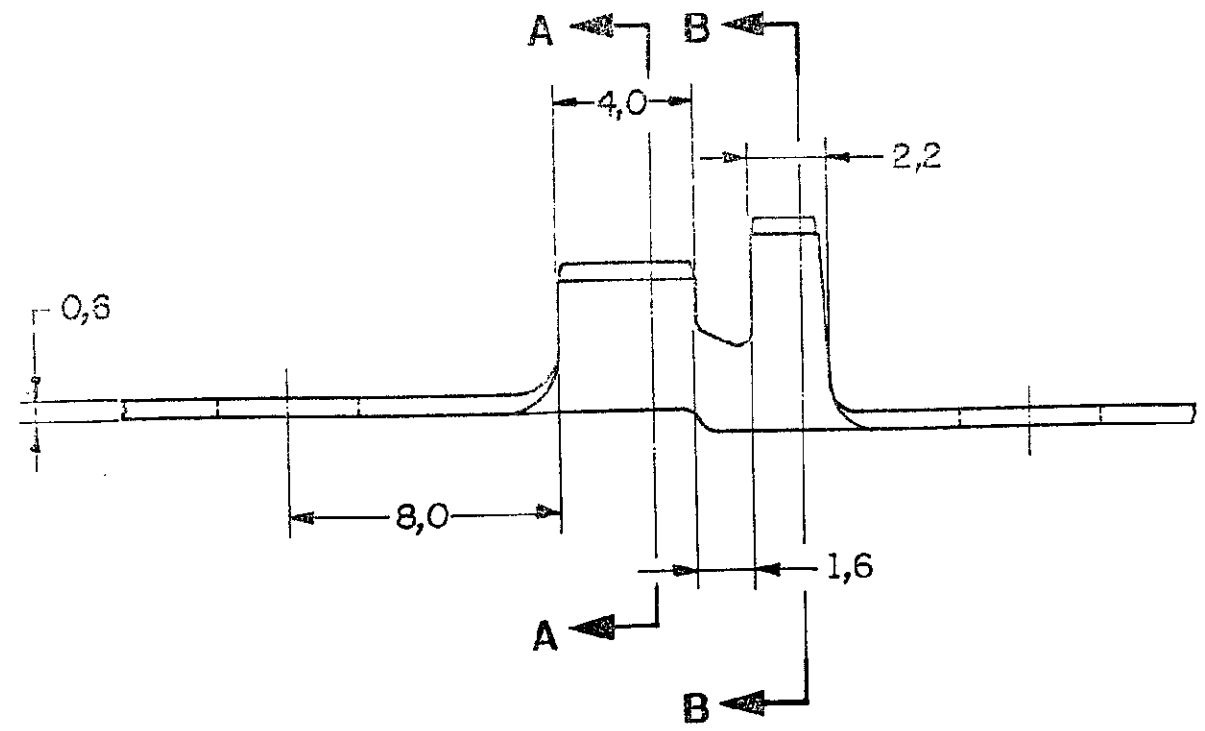
C 880642 1 of 1

DWG NO.		DO NOT SCALE		<b>METRIC</b>		3rd ANGLE PROJECTION	
		DIMENSIONS IN mm.					
REQ. PER ASSY	ITEM	DESCRIPTION		MATERIAL		FINISH	



CORTE A-A  
SECTION

CORTE B-B  
SECTION



△ - REBOBINAR INTERCALANDO COM PAPEL.  
- REELING WITH PAPER-INTERLEAVE.

△ OBSOLETE PARTS: OBSOLETE CIS STREAMLINING PER D.RENAUD/D.SINISI

PEÇA SOLTA/LOOSE PIECE	ESTANHADO/TIN PLATED	MF-2	△ 1-880642-2
PEÇA SOLTA/LOOSE PIECE	---	MF-1	1-880642-1
△	ESTANHADO/TIN PLATED	LATÃO/ BRASS	-4
	---	BRONZE FOSE/PHOSP. BR.	-3
	ESTANHADO/TIN PLATED	LATÃO/ BRASS	-2
	---	LATÃO/BRASS	880 642 -1
	FINISH	MATERIAL	PART NUMBER

CUSTOMER DWG  
for REFERENCE ONLY

THIS DRAWING IS UNPUBLISHED | RELEASED FOR PUBLICATION | 19

© COPYRIGHT 19 BY AMP DO BRASIL LTDA S.P. ALL INTERNATIONAL RIGHTS RESERVED AMP PRODUCTS MAY BE COVERED BY U.S. AND FOREIGN PATENTS AND/OR PATENTS PENDING.

TOLERANCES UNLESS OTHERWISE STATED  
DEC. ± 0,3  
ANGLES ± 1°

INS. DIA. RANGE 2,7 - 4,0 mm  
WIRE RANGE >1,0 - 2,5mm<sup>2</sup>  
SCALE 5:1

**AMP** AMP do BRASIL LTDA.  
São Paulo, Brasil

B1	REVISED PER ECO-09-026444	KK	AEC	26 NOV 09	DE		
B	REDESENHADO C/ MODIF.	118/94	NCL	11-APR-94	DR.	J. Guinther	15-APR-94
ISS	REVISION	RECORD	ECN	DR.	DATE	APP.	J.R. FOLDECHINI

DESCRIPTION: **RING TONGUE**

DWG NO. **A3** C 880642 SHEET 1 OF 1