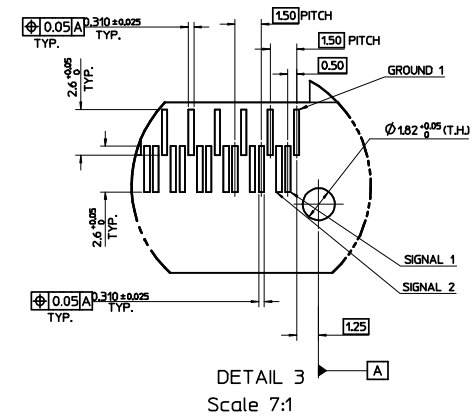
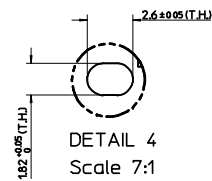
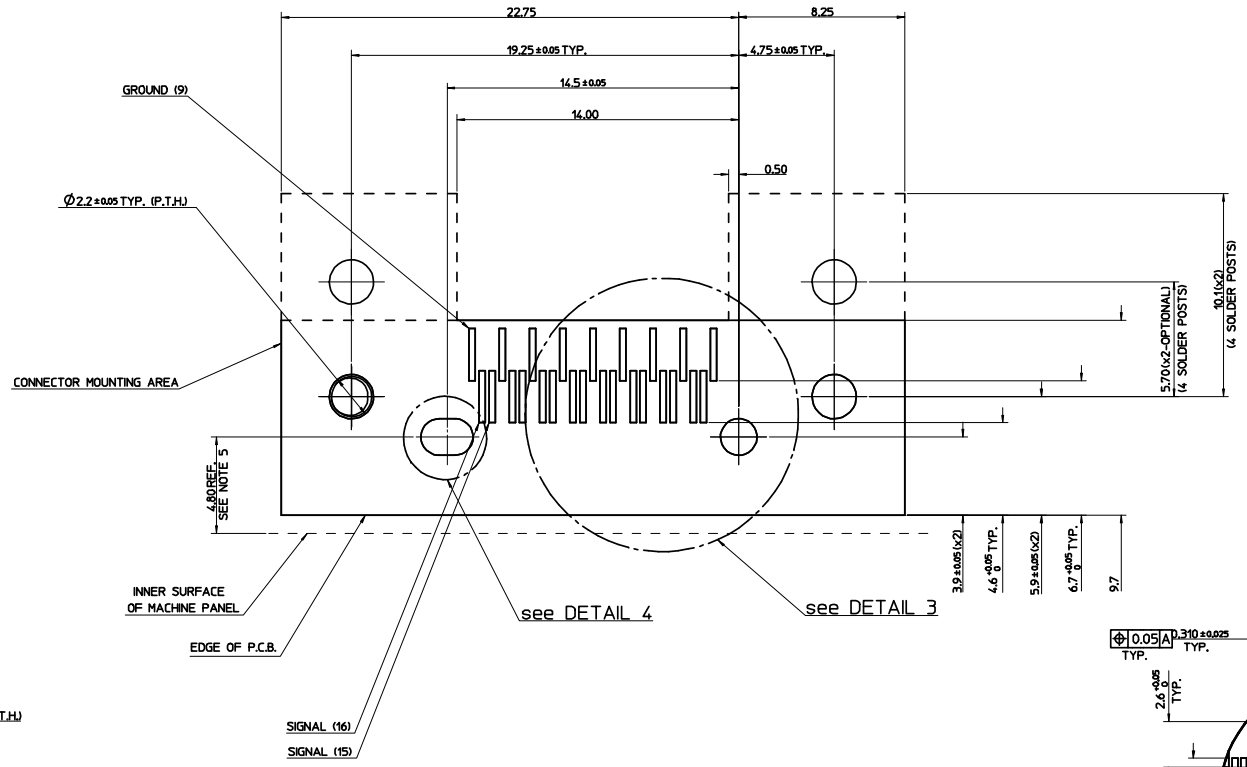


- NOTES:
1. PRODUCT SPECIFICATION PS-91525-001
 2. PACKAGING SPECIFICATION PK-91629-002 (TRAY) AND PK-91629-003 (TAPE AND REEL)
 3. SCREW THREAD M2.0 X 0.4 PITCH. RECOMMENDED SCREW THREAD M2 X 0.4 PITCH, LENGTH 8mm, WITH A PAN HEAD. RECOMMENDED TORQUE 0.3Nm MAX.
 4. CPAP USED TO ALIGN THE SOLDER TAILS WITH THE PCB SOLDER PADS.
 5. RECEPTACLE CONTACTS 127um MIN NICKEL ALLOWER. CONTACT AREA 0.10um MIN GOLD OVER 0.76um MIN PALLADIUM NICKEL. SMT AREA 3um MIN TIN.
 6. PICK AND PLACE AREA FOR VACUUM PICK UP.
 7. PCB DATUM B = B1 + B2 + B3.
 8. FOR 12X PARTS PLEASE REFER TO SD-91629-004
 9. FOR 4X PARTS WITH FOAM GASKET PLEASE REFER TO SD-91803-001

mod to sub housing IEC NO: E2008-0258 DRAWN BY: DRINKLIERMAN CHKD: 2008/05/02 APPR: BMAGUIRE 2008/05/06	QUALITY SYMBOLS	GENERAL TOLERANCES (UNLESS SPECIFIED)	DIMENSION STYLE	SCALE	DESIGN UNITS	THIRD ANGLE PROJECTION
	$\nabla=0$ $\nabla=0$	mm INCH 4 PLACES \pm --- \pm --- 3 PLACES \pm --- \pm --- 2 PLACES ± 0.1 \pm --- 1 PLACE ± 0.2 \pm --- ANGULAR $\pm 2^\circ$	MM ONLY	5:1	METRIC	
	DESCRIPTION	DRAFT WHERE APPLICABLE MUST REMAIN WITHIN DIMENSIONS	DRAWN BY DATE KDELANEY 05.03.29 CHECKED BY DATE CPHEHIE 05.03.30 APPROVED BY DATE JWALLACE 05.03.31	TITLE	LANELINK F CONN 4X JS VERSION WITH OPTIONAL EMI SHIELD & MTL GKT	
	MATERIAL NO. SEE SHEET 4&5 SIZE 1		DOCUMENT NO. SD-91803-003	MOLEX INCORPORATED	SHEET NO.	1 OF 5

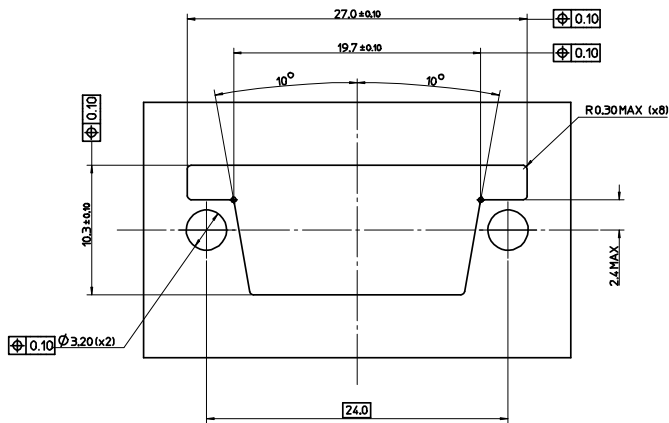
RECOMMENDED PCB LAYOUT
(SHOWING PCB REAR MOUNTING HOLES OPTION)



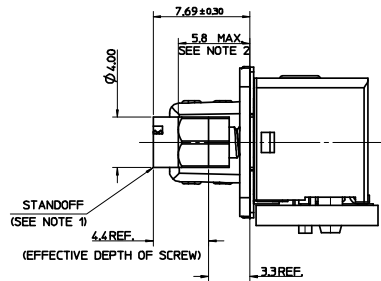
- NOTES:
1. AREAS OUTLINED TO BE FREE OF COMPONENTS.
 2. ALL HOLE SIZES ARE FINISHED HOLE SIZES.
 3. FOR ANY UNSPECIFIED DIMENSIONS OR NOTES SEE SHEET 1.
 4. RECOMMENDED PCB THICKNESSES: 1.6 TO 2.10mm INCLUSIVE.
LONGER SOLDER POSTS AVAILABLE FOR OTHER PCB THICKNESSES.
FOR FURTHER INFORMATION PLEASE CONTACT LOCAL SALES OFFICE.
 5. THE DESIGN CAN ACCOMMODATE DIFFERENT VALUES OF THIS DIMENSION BY VARYING THE EMI GASKET THICKNESS. FOR FURTHER INFORMATION PLEASE CONTACT LOCAL SALES OFFICE.

SEE SHEET 1 EC NO: E2008-0458 DRAWN: KIERMAN CHKD: APPR: BMAGUIRE 2008/04/28 2008/05/02 2008/05/06	QUALITY SYMBOLS ▽=0 ▽=0	GENERAL TOLERANCES (UNLESS SPECIFIED)		DIMENSION STYLE MM ONLY		SCALE 8:1	DESIGN UNITS METRIC	THIRD ANGLE PROJECTION	
		4 PLACES ± --- ± --- 3 PLACES ± --- ± --- 2 PLACES ± 0.1 ± --- 1 PLACE ± 0.2 ± --- ANGULAR ± 2 °	mm INCH	DRAWN BY KDELANEY DATE 05.03.29	CHECKED BY CPHEHIE DATE 05.03.30	APPROVED BY JWALLACE DATE 05.03.31	MATERIAL NO. SEE SHEET 4&5	DOCUMENT NO. SD-91803-003	TITLE LANELINK F CONN 4X JS VERSION WITH OPTIONAL EMI SHIELD & MTL GKT
DRAFT WHERE APPLICABLE MUST REMAIN WITHIN DIMENSIONS		THIS DRAWING CONTAINS INFORMATION THAT IS PROPRIETARY TO MOLEX INCORPORATED AND SHOULD NOT BE USED WITHOUT WRITTEN PERMISSION							

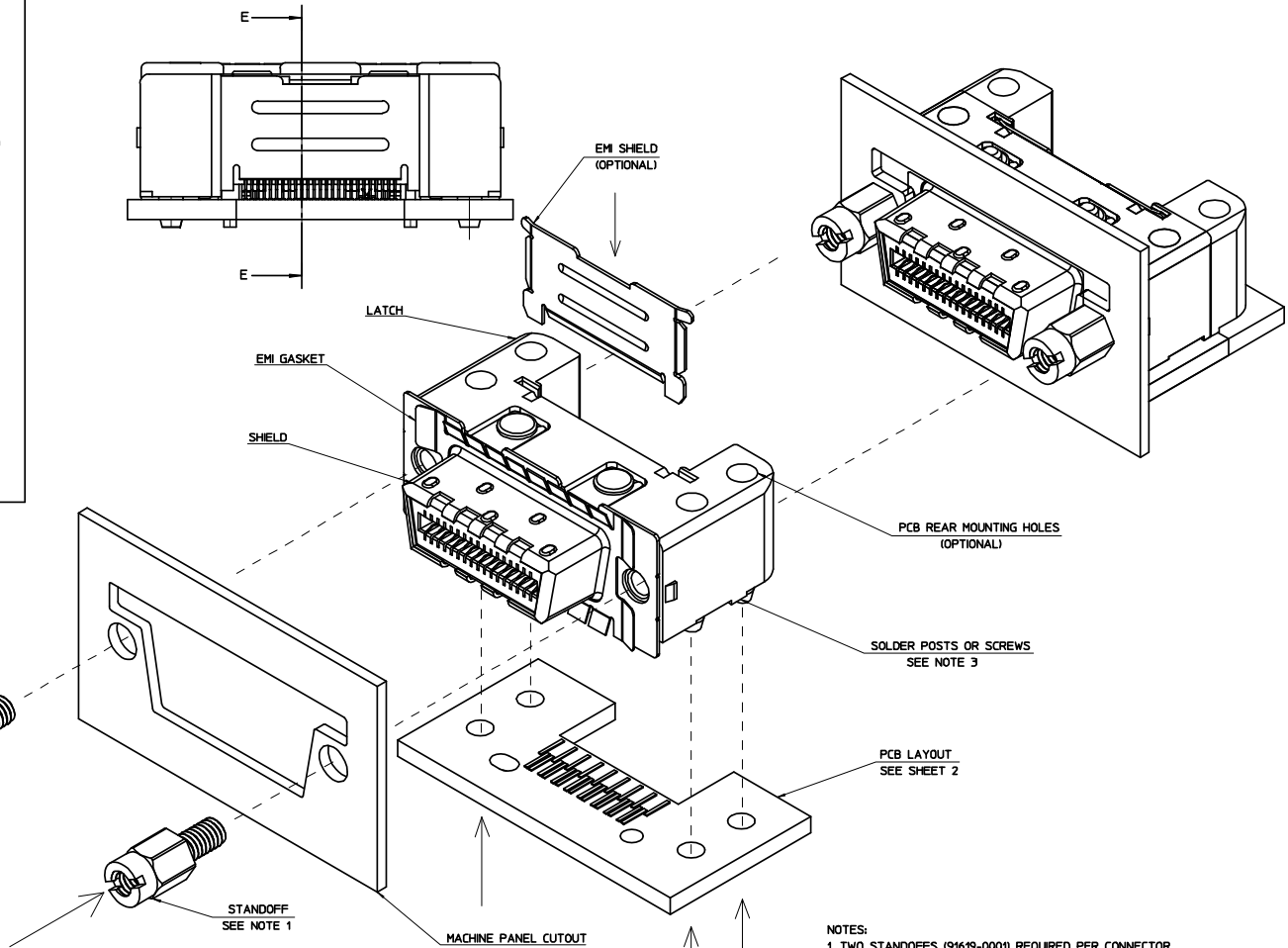
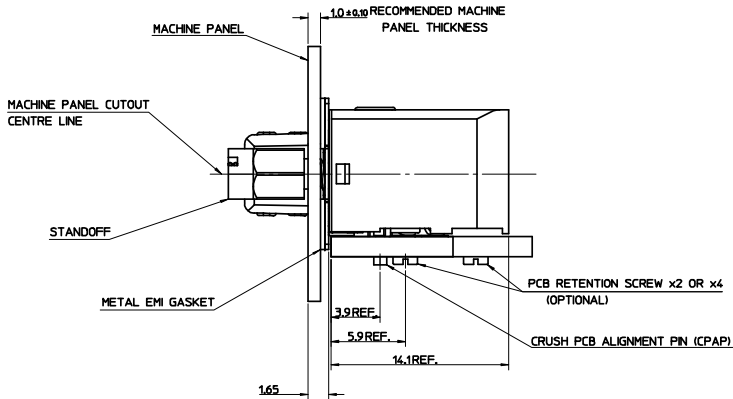
RECOMMENDED MACHINE PANEL CUTOUT



STANDOFF ASSEMBLY WITHOUT OPTIONAL FEATURES



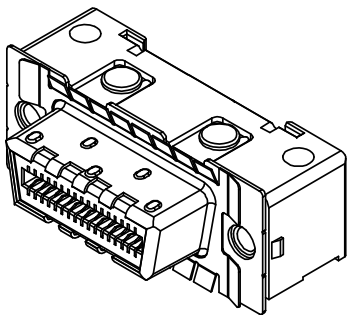
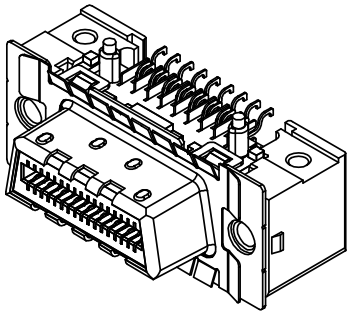
STANDOFF ASSEMBLY WITH OPTIONAL FEATURES



- NOTES:
- TWO STANDOFFS (91619-0001) REQUIRED PER CONNECTOR. ORDER SEPARATELY, SEE SALES DRAWING SD-91619-001. RECOMMENDED TORQUE: 0.25Nm MAX.
 - FINAL ASSEMBLY DIMENSIONS.
 - PCB RETENTION OPTIONS:
2 OR 4 SCREWS, (4 FOR REAR MOUNT OPTION)
2 OR 4 SOLDER POSTS, (4 FOR REAR MOUNT OPTION).
 - OPTIONAL EMI SHIELD IS TO BE ASSEMBLED TO CONNECTOR AFTER REFLOW. FOR DETAILS OF EMI SHIELD SEE SALES DRAWING SD-91789-001
 - RECOMMENDED SCREW THREAD M2 x 0.4 PITCH, LENGTH 8mm, WITH A PAN HEAD. RECOMMENDED TORQUE: 0.3Nm MAX.
 - REFER TO SHEET 1 FOR ALL UNSPECIFIED DIMENSIONS.

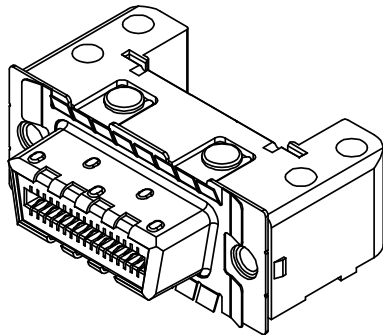
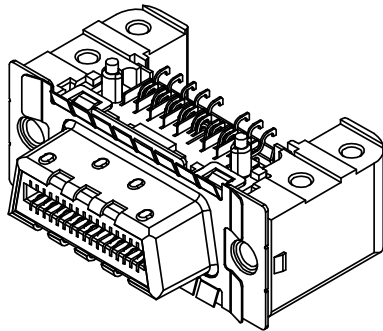
SEE SHEET 1 EC NO: E2008-0236 DRAWN BY: DRINKLIERMAN CHKD: 2008/05/02 APPR: BMAGUIRE 2008/05/06	QUALITY SYMBOLS ▽=0 ▽=0	GENERAL TOLERANCES (UNLESS SPECIFIED)		DIMENSION STYLE MM ONLY		SCALE 5:1	DESIGN UNITS METRIC	THIRD ANGLE PROJECTION
		4 PLACES ± --- ± --- 3 PLACES ± --- ± --- 2 PLACES ± 0.1 ± --- 1 PLACE ± 0.2 ± ---	mm INCH ANGULAR ± 2°	DRAWN BY: KDELANEY DATE: 05.03.29 CHECKED BY: CPHEHIE DATE: 05.03.30 APPROVED BY: JWALLACE DATE: 05.03.31	MATERIAL NO. DOCUMENT NO. SD-91803-003	TITLE LANELINK F CONN 4X JS VERSION WITH OPTIONAL EMI SHIELD & MTL GKT	MOLEX INCORPORATED	SHEET NO. 3 OF 5
DRAFT WHERE APPLICABLE MUST REMAIN WITHIN DIMENSIONS		THIS DRAWING CONTAINS INFORMATION THAT IS PROPRIETARY TO MOLEX INCORPORATED AND SHOULD NOT BE USED WITHOUT WRITTEN PERMISSION						

4X JACKSCREW I/O	
REAR MOUNTS	NO
SOLDER POSTS	NO



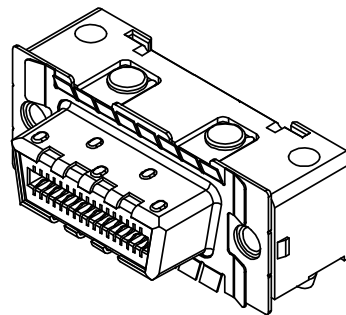
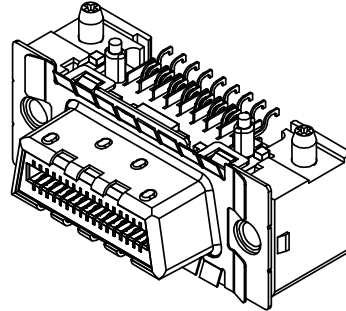
PART NO.	PACKAGING
91803-0411	TRAY
91803-8411	TAPE & REEL

4X JACKSCREW I/O	
REAR MOUNTS	YES
SOLDER POSTS	NO



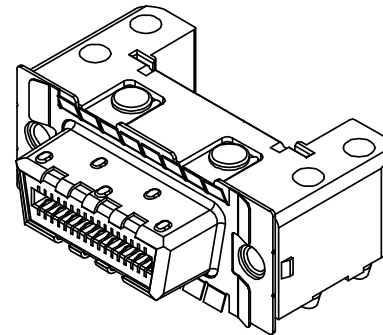
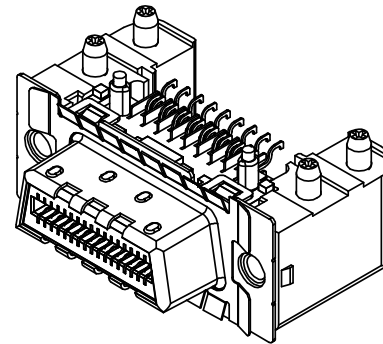
PART NO.	PACKAGING
91803-0413	TRAY
91803-8413	TAPE & REEL

4X JACKSCREW I/O	
REAR MOUNTS	NO
SOLDER POSTS	2



PART NO.	PACKAGING
91803-0415	TRAY
91803-8415	TAPE & REEL

4X JACKSCREW I/O	
REAR MOUNTS	YES
SOLDER POSTS	4

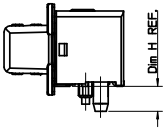
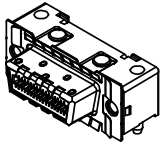
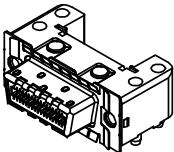


PART NO.	PACKAGING
91803-0417	TRAY
91803-8417	TAPE & REEL

- NOTES:
- REFER TO SHEET 1 FOR ALL UNSPECIFIED DIMENSIONS.
 - REFER TO SHEET 2 FOR PCB LAYOUT.
 - REFER TO SHEET 3 FOR RECOMMENDED ASSEMBLY COMPONENTS AND DIMENSIONS.
 - FOR 12X PARTS PLEASE REFER TO SD-91629-004.
 - FOR 4X PARTS WITH FOAM GASKET PLEASE REFER TO SD-91803-001.

SEE SHEET 1 ELEC NO: E2008-0428 DRWNLK/TERMAN CHKD: 2008/05/02 APPR:BMAGUIRE 2008/05/06	QUALITY SYMBOLS	GENERAL TOLERANCES (UNLESS SPECIFIED)	DIMENSION STYLE	SCALE	DESIGN UNITS	THIRD ANGLE PROJECTION															
	$\nabla=0$ $\nabla=0$	<table border="1"> <tr><th></th><th>mm</th><th>INCH</th></tr> <tr><td>4 PLACES</td><td>± .---</td><td>± .---</td></tr> <tr><td>3 PLACES</td><td>± .---</td><td>± .---</td></tr> <tr><td>2 PLACES</td><td>± 0.1</td><td>± .---</td></tr> <tr><td>1 PLACE</td><td>± 0.2</td><td>± .---</td></tr> </table>		mm	INCH	4 PLACES	± .---	± .---	3 PLACES	± .---	± .---	2 PLACES	± 0.1	± .---	1 PLACE	± 0.2	± .---	MM ONLY	5:1	METRIC	
		mm	INCH																		
	4 PLACES	± .---	± .---																		
3 PLACES	± .---	± .---																			
2 PLACES	± 0.1	± .---																			
1 PLACE	± 0.2	± .---																			
DESCRIPTION	DRAFT WHERE APPLICABLE MUST REMAIN WITHIN DIMENSIONS	<table border="1"> <tr><td>DRAWN BY</td><td>DATE</td></tr> <tr><td>KDELANEY</td><td>05.03.29</td></tr> <tr><td>CHECKED BY</td><td>DATE</td></tr> <tr><td>CPHEHIE</td><td>05.03.30</td></tr> <tr><td>APPROVED BY</td><td>DATE</td></tr> <tr><td>JWALLACE</td><td>05.03.31</td></tr> </table>	DRAWN BY	DATE	KDELANEY	05.03.29	CHECKED BY	DATE	CPHEHIE	05.03.30	APPROVED BY	DATE	JWALLACE	05.03.31	TITLE	LANELINK F CONN 4X JS VERSION WITH OPTIONAL EMI SHIELD & MTL GKT					
DRAWN BY	DATE																				
KDELANEY	05.03.29																				
CHECKED BY	DATE																				
CPHEHIE	05.03.30																				
APPROVED BY	DATE																				
JWALLACE	05.03.31																				
		SEE SHEET 4&5	DOCUMENT NO.	MOLEX INCORPORATED		SHEET NO.															
			SD-91803-003			4 OF 5															
THIS DRAWING CONTAINS INFORMATION THAT IS PROPRIETARY TO MOLEX INCORPORATED AND SHOULD NOT BE USED WITHOUT WRITTEN PERMISSION																					

SOLDER POST LENGTH OPTIONS

	PACKAGING		
	NO SOLDER POSTS	TRAY TAPE & REEL	91803-0411 91803-8411
Dim H = 2.3	TRAY	91803-0415	91803-0417
	TAPE & REEL	91803-8415	91803-8417
Dim H = 3.3	TRAY	91803-0465	91803-0467
	TAPE & REEL	91803-8465	91803-8467
Dim H = 4.3	TRAY	91803-0495	91803-0497
	TAPE & REEL	91803-8495	91803-8497

SEE SHEET 1 EC NO: E2008-0238 DRAWN BY: DRWNLKI/TERMAN CHKD: 2008/05/02 APPR: BMAGUIRE 2008/05/06	QUALITY SYMBOLS ▽=0 ▽=0	GENERAL TOLERANCES (UNLESS SPECIFIED)		DIMENSION STYLE MM ONLY		SCALE 1:1	DESIGN UNITS METRIC	THIRD ANGLE PROJECTION	
		4 PLACES ± --- ± --- 3 PLACES ± --- ± --- 2 PLACES ± 0.1 ± --- 1 PLACE ± 0.2 ± ---	mm INCH	DRAWN BY KDELANEY	DATE 05.03.29	TITLE LANELINK F CONN 4X JS VERSION WITH OPTIONAL EMI SHIELD & MTL GKT			
		ANGULAR ± 2 °		CHECKED BY CPHEHIE	DATE 05.03.30	MOLEX INCORPORATED			
		DRAFT WHERE APPLICABLE MUST REMAIN WITHIN DIMENSIONS		APPROVED BY JWALLACE	DATE 05.03.31	MATERIAL NO. SEE SHEET 4&5	DOCUMENT NO. SD-91803-003	SHEET NO. 5 OF 5	
THIS DRAWING CONTAINS INFORMATION THAT IS PROPRIETARY TO MOLEX INCORPORATED AND SHOULD NOT BE USED WITHOUT WRITTEN PERMISSION									