

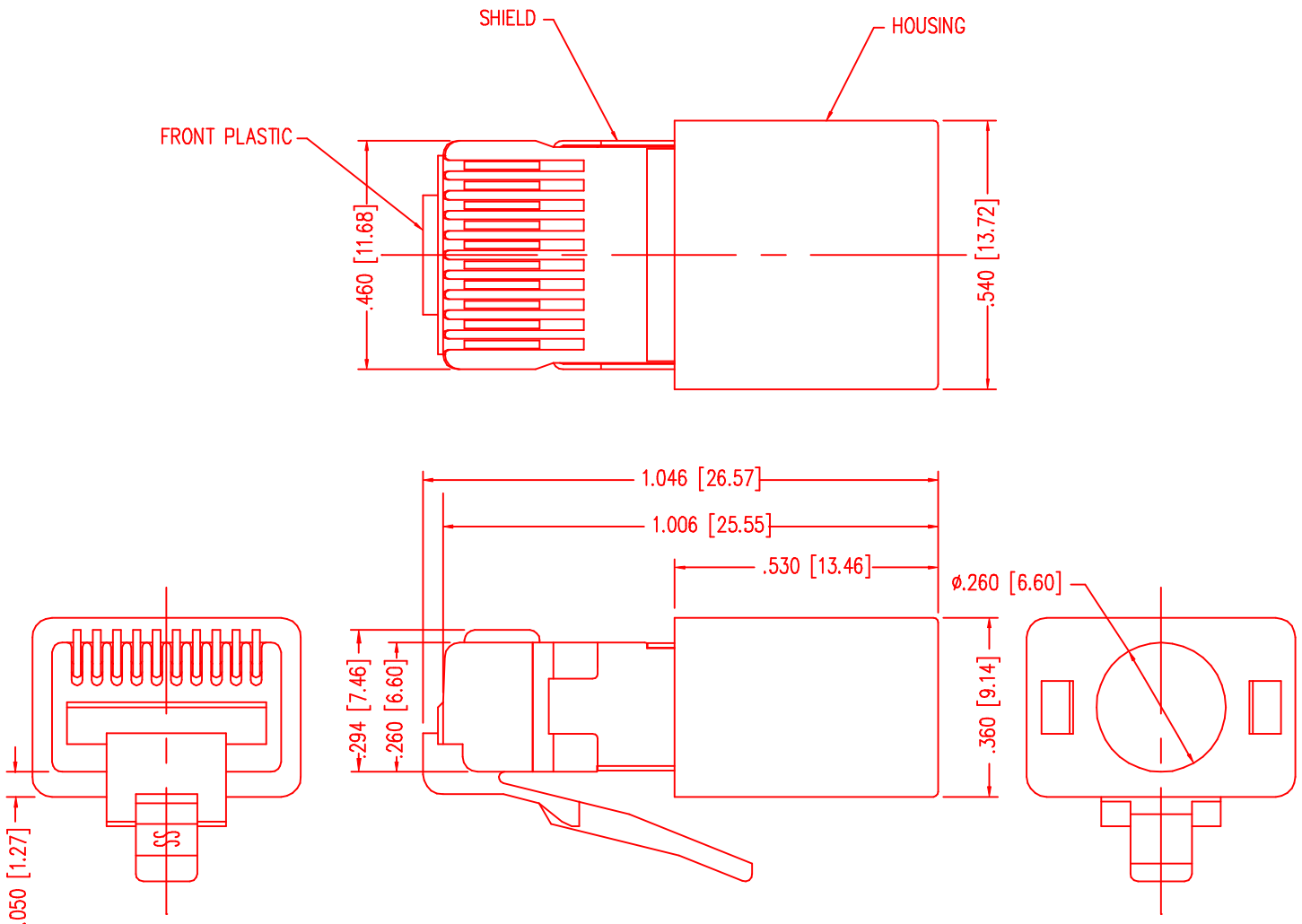
STEWART CONNECTOR

R.D. 2, BOX 2020 GLEN ROCK, PENNSYLVANIA 17327

P.N. 937-SP-361010-A10
10 X 10 SHIELDED PLUG

CONSISTING OF:

PRE-INSERTED FRONT & SHIELD ASSY.- P.N. 937-SP-361010-FS
HOUSING- P.N. 361010-H
LOAD BAR- P.N. 361010-LB
FERRULE- P.N. F-270-205
CONTACT- SEE NOTE



NOTES:

- TOLERANCES COMPLY WITH F.C.C. DIMENSION REQUIREMENTS.
ALL OTHERS $\pm .003$ [0.08] UNLESS OTHERWISE SPECIFIED.
- DIMENSIONS NOT SHOWN COMPLY WITH F.C.C. REQUIREMENTS
- A10 DENOTES ASSY CONTAINS F-270-205 FERRULE
- 937 FOR TINSEL CONDUCTOR