

Product Catalog > [Transistors](#) > [Small Signal Bipolar Transistors](#) >

Part Number	MMBT2907A
product family	SOT-23 Plastic-Encapsulate Biploar Transistors
Product Polarity	PNP
SMD/ThroHole	SMD
VCEO	60V
VCBO	60V
VEBO	5.0V
Ic	
PC	350mW
HFE(min)	100
@Ic	10mA
@VCE	10V
ICBO	100nA
IEBO	
VCE(sat)	0.4V
VBE(sat)	1.3V
ft	200MHz
nf	
TON_max	
Package Qty	Tape: 3K/Reel , 120K/Ctn;

Green/Pb Free/RoHS/REACH

- [FAQ](#)
- [Soldering Profile](#)
- [Tin Whisker Evaluation](#)
- [Moisture Sensitivity Level](#)
- [RoHS Test Report](#)
- [PFOS&PFOA Test Report](#)
- [Ordering Information](#)
- [Certification of REACH Compliance](#)
- [Certification of RoHS Compliance](#)
- [Deca certification\(DecaBDE\)](#)
- [MCC's EU RoHS and Green \(Halogen & Antimony Free\)](#)
- [Parts List](#)
- [REACH SVHC Test Report](#)



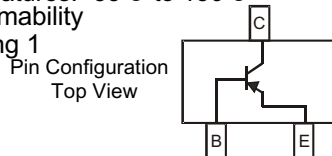


Micro Commercial Components

MMBT2907A

Features

- Surface Mount SOT-23 Package
- Capable of 350mWatts of Pd, 600mA continuous collector current.
- Operating and Storage Junction Temperatures: -55°C to 150°C
- Case Material: Molded Plastic. UL Flammability Classification Rating 94-0 and MSL Rating 1
- Marking : 2F



PNP General Purpose Amplifier

Electrical Characteristics @ 25°C Unless Otherwise Specified

Symbol	Parameter	Min	Max	Units
OFF CHARACTERISTICS				
$V_{(BR)CEO}$	Collector-Emitter Breakdown Voltage* ($I_C=10\text{mA}$, $I_B=0$)	60		Vdc
$V_{(BR)CBO}$	Collector-Base Breakdown Voltage ($I_C=10\mu\text{A}$, $I_E=0$)	60		Vdc
$V_{(BR)EBO}$	Emitter-Base Breakdown Voltage ($I_E=10\mu\text{A}$, $I_C=0$)	5.0		Vdc
I_{BL}	Base Cutoff Current ($V_{CE}=30\text{Vdc}$, $V_{BE}=0.5\text{Vdc}$)		50	nAdc
I_{CEX}	Collector Cutoff Current ($V_{CE}=30\text{Vdc}$, $V_{BE}=0.5\text{Vdc}$)		50	nAdc
I_{CBO}	Collector Cutoff Current ($V_{CB}=50\text{Vdc}$, $I_E=0$) ($V_{CB}=50\text{Vdc}$, $I_E=0$, $T_A=150^\circ\text{C}$)		0.1 10.0	μAdc

ON CHARACTERISTICS

h_{FE}	DC Current Gain* ($I_C=0.1\text{mA}$, $V_{CE}=10\text{Vdc}$) ($I_C=1.0\text{mA}$, $V_{CE}=10\text{Vdc}$) ($I_C=10\text{mA}$, $V_{CE}=10\text{Vdc}$) ($I_C=150\text{mA}$, $V_{CE}=10\text{Vdc}$) ($I_C=500\text{mA}$, $V_{CE}=10\text{Vdc}$)	75 100 100 100 50	300	
$V_{CE(sat)}$	Collector-Emitter Saturation Voltage ($I_C=150\text{mA}$, $I_B=15\text{mA}$) ($I_C=500\text{mA}$, $I_B=50\text{mA}$)		0.4 1.6	Vdc
$V_{BE(sat)}$	Base-Emitter Saturation Voltage ($I_C=150\text{mA}$, $I_B=15\text{mA}$) ($I_C=500\text{mA}$, $I_B=50\text{mA}$)		1.3 2.6	Vdc

SMALL-SIGNAL CHARACTERISTICS

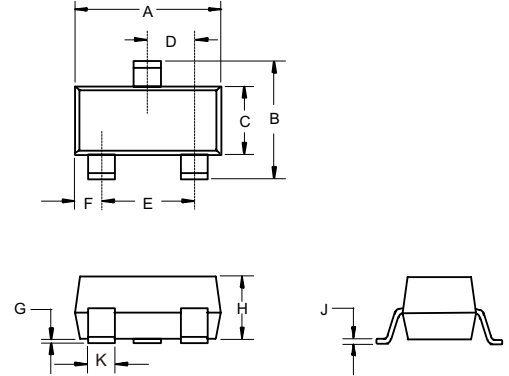
f_T	Current Gain-Bandwidth Product ($I_C=50\text{mA}$, $V_{CE}=20\text{Vdc}$, $f=100\text{MHz}$)	200		MHz
C_{cbo}	Output Capacitance ($V_{CB}=10\text{Vdc}$, $I_E=0$, $f=1.0\text{MHz}$)		8.0	pF
C_{ibo}	Input Capacitance ($V_{EB}=2.0\text{Vdc}$, $I_C=0$, $f=1.0\text{MHz}$)		30.0	pF

SWITCHING CHARACTERISTICS

t_d	Delay Time	($V_{CC}=3.0\text{Vdc}$, $I_C=150\text{mA}$, $I_{B1}=15\text{mA}$)	10 40	ns
t_r	Rise Time			ns
t_s	Storage Time	($V_{CC}=3.0\text{Vdc}$, $I_C=150\text{mA}$)	80	ns
t_f	Fall Time	($I_{B1}=I_{B2}=15\text{mA}$)	30	ns

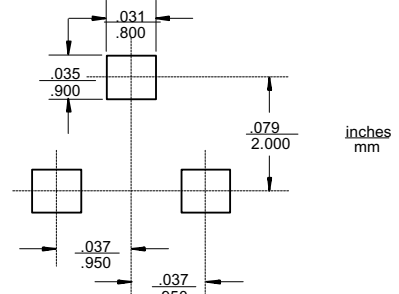
*Pulse Width $\leq 300\mu\text{s}$, Duty Cycle $\leq 2.0\%$

SOT-23



DIM	INCHES		MM		NOTE
	MIN	MAX	MIN	MAX	
A	.110	.120	2.80	3.04	
B	.083	.098	2.10	2.64	
C	.047	.055	1.20	1.40	
D	.035	.041	.89	1.03	
E	.070	.081	1.78	2.05	
F	.018	.024	.45	.60	
G	.0005	.0039	.013	.100	
H	.035	.044	.89	1.12	
J	.003	.007	.085	.180	
K	.015	.020	.37	.51	

Suggested Solder Pad Layout





Micro Commercial Components

Ordering Information

Device	Packing
(Part Number)-TP	Tape&Reel;3Kpcs/Reel