



Micro Commercial Components

Micro Commercial Components
 20736 Marilla Street Chatsworth
 CA 91311
 Phone: (818) 701-4933
 Fax: (818) 701-4939

MMST3904

Features

- Epitaxial Planar Die Construction
- Complementary PNP Type available (MMST3906)
- Ultra-small surface mount package
- Marking : K2N
- Case Material: Molded Plastic. UL Flammability Classificatio Rating 94-0 and MSL Rating 1

NPN Small Signal Transistors

Maximum Ratings

Symbol	Rating	Rating	Unit
V_{CEO}	Collector-Emitter Voltage	40	V
V_{CBO}	Collector-Base Voltage	60	V
V_{EBO}	Emitter-Base Voltage	6.0	V
I_C	Collector Current-Continuous ⁽¹⁾	200	mA
P_C	Power dissipation ⁽¹⁾	200	mW
T_J	Junction Temperature	-55 to +150	°C
T_{STG}	Storage Temperature	-55 to +150	°C

Electrical Characteristics @ 25°C Unless Otherwise Specified

Symbol	Parameter	Min	Max	Units
--------	-----------	-----	-----	-------

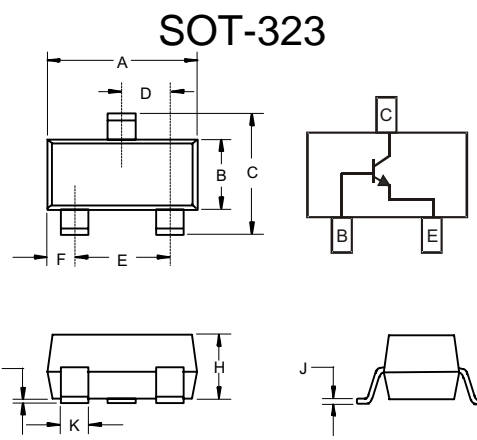
OFF CHARACTERISTICS ⁽²⁾

$V_{(BR)CEO}$	Collector-Emitter Breakdown Voltage ($I_C=1.0mA$, $I_B=0$)	40	---	Vdc
$V_{(BR)CBO}$	Collector-Base Breakdown Voltage ($I_C=10uA$, $I_E=0$)	60	---	Vdc
$V_{(BR)EBO}$	Collector-Emitter Breakdown Voltage ($I_C=10uA$, $I_C=0$)	5.0	---	Vdc
I_{CEX}	Collector-Base Cutoff Current ($V_{CE}=30Vdc$, $V_{EB(OFF)}=3.0Vdc$)	---	50	nAdc
I_{BL}	Emitter-Base Cutoff Current ($V_{CE}=30Vdc$, $V_{EB(OFF)}=3.0Vdc$)	---	50	nAdc

ON CHARACTERISTICS ⁽²⁾

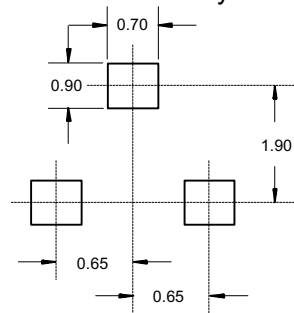
h_{FE}	DC Current Gain ($I_C=100uA$, $V_{CE}=1.0Vdc$) ($I_C=1.0mA$, $V_{CE}=1.0Vdc$) ($I_C=10mA$, $V_{CE}=1.0Vdc$) ($I_C=50mA$, $V_{CE}=1.0Vdc$) ($I_C=500mA$, $V_{CE}=1.0Vdc$)	40 70 100 60 30	---	---	---
$V_{CE(sat)}$	Collector-Emitter Saturation Voltage ($I_C=10mA$, $I_B=1.0mA$) ($I_C=50mA$, $I_B=5.0mA$)	---	0.25 0.30	Vdc	---
$V_{BE(sat)}$	Base-Emitter Saturation Voltage ($I_C=10mA$, $I_B=1.0mA$) ($I_C=50mA$, $I_B=5.0mA$)	0.65 ---	0.85 0.95	Vdc	---

Note: 1. Valid provided that terminals are kept at ambient temperature.
 2. Pulse test: Pulse width<300us, duty cycle<2%



DIM	DIMENSIONS				NOTE
	INCHES		MM		
A	.071	.087	1.80	2.20	
B	.045	.053	1.15	1.35	
C	.079	.087	2.00	2.20	
D	.026 Nominal		0.65Nominal		
E	.047	.055	1.20	1.40	
F	.012	.016	.30	.40	
G	.000	.004	.000	.100	
H	.035	.039	.90	1.00	
J	.004	.010	.100	.250	
K	.012	.016	.30	.40	

Suggested Solder Pad Layout



SMALL SIGNAL CHARACTERISTICS

C_{obo}	Output Capacitance ($V_{CB}=5.0Vdc$, $f=1.0MHz$, $I_E=0$)	---	4.0	pF	
C_{ibo}	Input Capacitance ($V_{EB}=0.5Vdc$, $f=1.0MHz$, $I_C=0$)	---	8.0	pF	
h_{ie}	Input Impedance	$V_{CE}=10Vdc$, $I_C=1.0mA$, $f=1.0KHz$	1.0	10	kohms
h_{re}	Voltage Feedback Ratio		0.5	8.0	$\times 10^{-4}$
h_{fe}	Small Signal Current Gain		100	400	---
h_{oe}	Output Admittance		1.0	40	μS
f_T	Current Gain-Bandwidth Product ($V_{CE}=20Vdc$, $I_C=10mA$, $f=100MHz$)	300	---	NHz	
NF	Noise Figure ($V_{CE}=5.0Vdc$, $I_C=100\mu A$, $R_S=1.0KOHMS$, $f=1.0KHz$)	---	5.0	dB	

SWITCHING CHARACTERISTICS

t_d	Delay Time	$V_{CC}=3.0Vdc$, $I_C=100\mu A$, $V_{BE(off)}=0.5Vdc$, $I_{B1}=1.0mA$	---	35	ns
t_r	Rise Time		---	35	ns



Micro Commercial Components

Ordering Information

Device	Packing
(Part Number)-TP	Tape&Reel;3Kpcs/Reel

*****IMPORTANT NOTICE*****

Micro Commercial Components Corp. reserves the right to make changes without further notice to any product herein to make corrections, modifications, enhancements, improvements, or other changes. *Micro Commercial Components Corp.* does not assume any liability arising out of the application or use of any product described herein; neither does it convey any license under its patent rights, nor the rights of others. The user of products in such applications shall assume all risks of such use and will agree to hold *Micro Commercial Components Corp.* and all the companies whose products are represented on our website, harmless against all damages.

*****APPLICATIONS DISCLAIMER*****

Products offer by *Micro Commercial Components Corp.* are not intended for use in Medical, Aerospace or Military Applications.