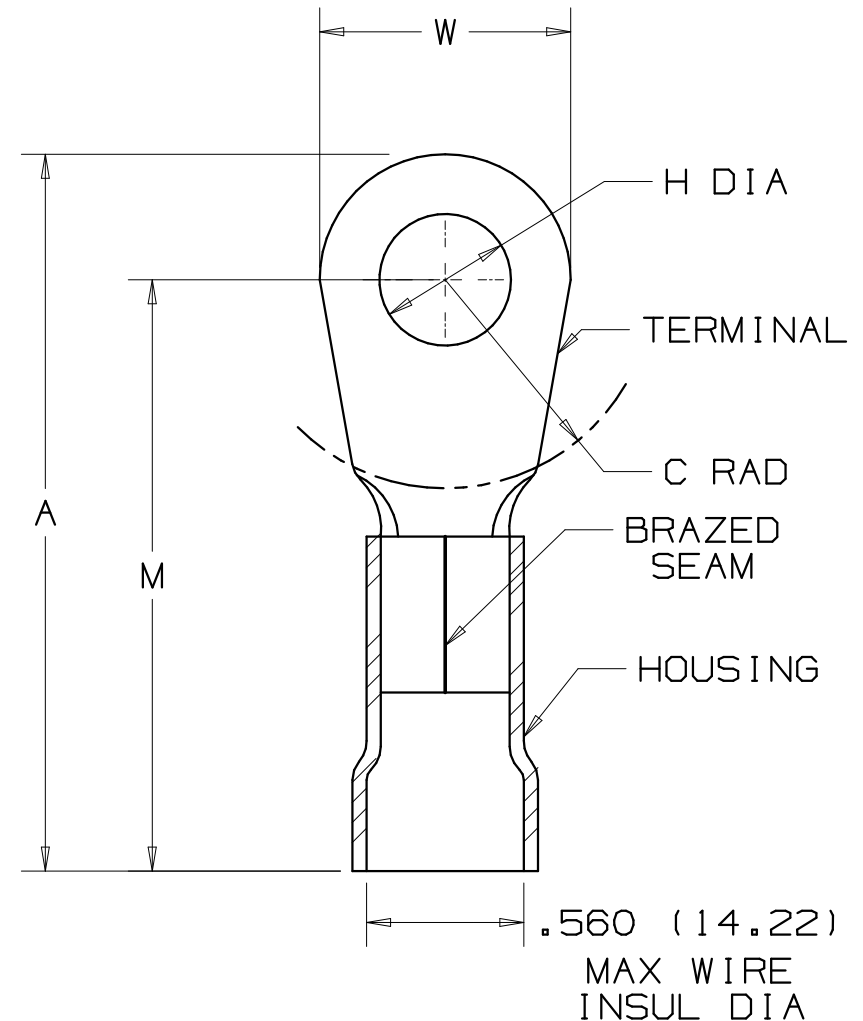



THIS COPY IS PROVIDED ON A RESTRICTED BASIS AND IS NOT TO BE USED IN ANY WAY DETRIMENTAL TO THE INTERESTS OF PANDUIT CORP.

PANDUIT PART NUMBER		STUD SIZE	DIMENSIONS in.				
PREFIX	PK		A $\pm .03$	W $\pm .01$	C $\pm .02$	M $\pm .03$	H $\pm .01$
PV2-10R	-XY -TY	#10	1.96 (49.78)	.68 (17.27)	.58 (14.73)	1.62 (41.15)	.20 (5.08)
PV2-14R	-XY -TY	1/4"	1.96 (49.78)	.68 (17.27)	.58 (14.73)	1.62 (41.15)	.27 (6.86)
PV2-56R	-XY -TY	5/16"	1.96 (49.78)	.68 (17.27)	.58 (14.73)	1.62 (41.15)	.33 (8.38)
PV2-38R	-XY -TY	3/8"	1.96 (49.78)	.68 (17.27)	.58 (14.73)	1.62 (41.15)	.39 (9.91)
PV2-12R	-XY -TY	1/2"	2.05 (52.07)	.86 (21.84)	.58 (14.73)	1.62 (41.15)	.52 (13.21)

NOTES:

- UL LISTED FOR:
 - 600V MAX VOLTAGE RATING
 - 221° F (105° C) MAX TEMP RATING
 - #2 AWG STRANDED COPPER WIRE
- PACKAGE QTY: STD. PKG. - X = 10
BULK PKG. - T = 200, -TY = 200
- MATERIAL:
 - STAMPING - .060" (1.52) THK COPPER, TIN PLATED
 - HOUSING - VINYL, RED
- DIMENSIONS IN BRACKETS ARE IN MILLIMETERS
- INSTALLATION TOOL: CT-720
- WIRE STRIP LENGTH: 1/2" $^{+1/32}_{-0}$ (12.7 $^{+0.8}_{-0}$)



06	8/06	DAW	DAW	ADDED -XY PKG. CODE, REMOVED -X	TRO0156	LCA	TRO	A41216_06	
05	5/05	JHNU		ADDED PACKAGING CODE "TY" TO DRAWING.				 PANDUIT CORP. TINLEY PARK, ILLINOIS #2 BARREL VINYL INSULATED RING TONGUE .560 (14.22) MAX. WIRE INSUL. DIAMETER	
04	1/01	KMD	SKB	CAD FILE SPEC. WAS N41216AA_PCD_03	08938	JAC	CCH		
03	2/96	ED		REVISED NOTES, DIMEN.S, AND TABLE/ FILESPEC WAS: A41216A.PRT	04088				
02	7-88	DW		REDRAWN WITH REVISIONS					
REV	DATE	BY	CHK	DESCRIPTION	ECN #	CUST	PM		
					DAW	CHK'D	SCALE	NONE	DRAWING NO. A41216