

Current refinements (click to remove)

[Search Tips](#) 
 Region **USA** Product Family **Ring Terminal, Large Wire, Vinyl Insulated** Text Search: **'PV6-14R-E'**
Your search criteria matched only one product, shown below.


- Insulation support helps to prevent wire damage in bending applications
- Brazed seam protects terminal barrel from splitting during the crimp process
- UL Flammability UL 94V-0, maximum insulation temperature 221°F (105°C)
- Internal barrel serrations assure good wire contact and maximum tensile strength
- UL and CSA rated up to 600 V per UL 486

‡UL approved tooling/product combinations.

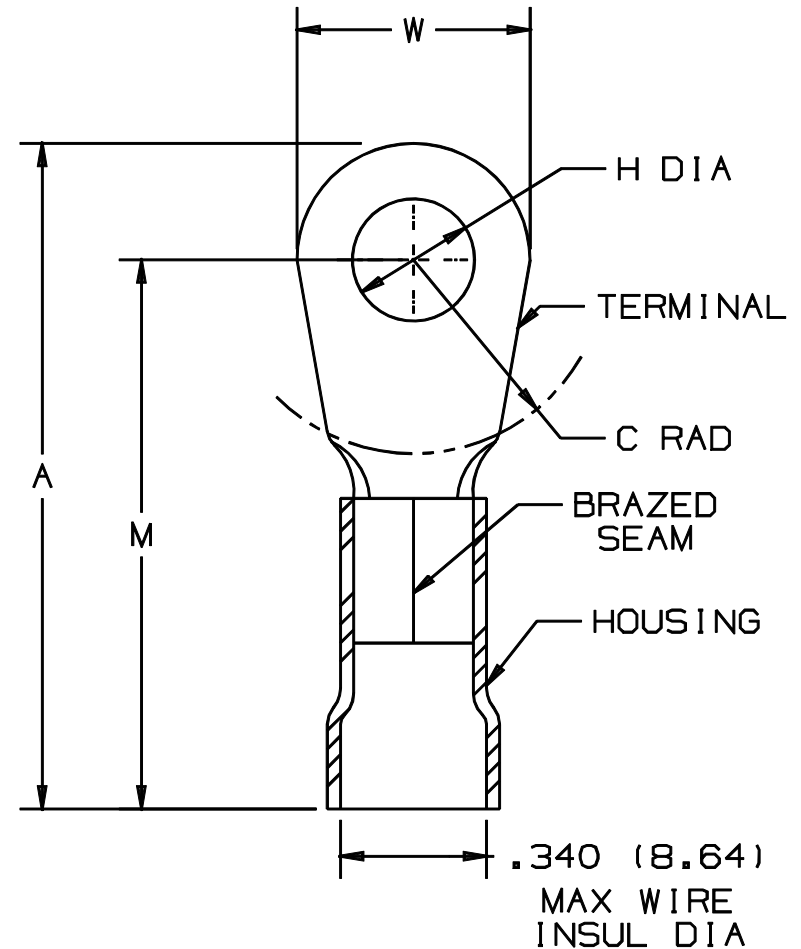
Part Number:	PV6-14R-E
RoHS Compliancy Status:	Compliant
Part Description:	Ring Terminal, large wire, 6 AWG, 1/4" stud size, vinyl insulated.
Product Type:	Terminals
UL Listed:	Yes
Length (In.):	1.65
Width (In.):	.47
Clearance:	.48
Max. Ins.:	.340
Panduit Color Code:	Blue
Stock:	.05
Stud Size:	1/4"
Tool:	CT-720, CD-720PV8-2‡
Wire Range:	6 AWG
Min. Order UOM:	PC
Min. Order Qty.:	20
BOM Qty. (# of Pkgs.)	

[Add to My Catalog](#)

 Please [register](#) to utilize the 'Bill of Materials', 'Submit Quotes' and 'My Catalog' features.

THIS COPY IS PROVIDED ON A RESTRICTED BASIS AND IS NOT TO BE USED IN ANY WAY DETRIMENTAL TO THE INTERESTS OF PANDUIT CORP.

PANDUIT PART NUMBER	STUD SIZE	DIMENSIONS in.				
		A $\pm .03$	W $\pm .01$	C $\pm .02$	M $\pm .03$	H $\pm .01$
PV6-8R	#8	1.61 (40.89)	.47 (11.94)	.43 (10.92)	1.38 (35.05)	.18 (4.57)
PV6-10R	#10	1.62 (41.15)	.47 (11.94)	.43 (10.92)	1.38 (35.05)	.20 (5.08)
PV6-14R	1/4"	1.65 (41.91)	.47 (11.94)	.48 (12.19)	1.38 (35.05)	.27 (6.86)
PV6-56R	5/16"	1.74 (44.20)	.62 (15.75)	.53 (13.46)	1.44 (36.58)	.33 (8.38)
PV6-38R	3/8"	1.74 (44.20)	.62 (15.75)	.51 (12.95)	1.44 (36.58)	.40 (10.16)
PV6-12R	1/2"	1.84 (46.74)	.82 (20.83)	.51 (12.95)	1.44 (36.58)	.52 (13.21)




NOTES:

- UL LISTED FOR:
 - 600V MAX VOLTAGE RATING
 - 221° F (105° C) MAX TEMP RATING
 - #6 AWG STRANDED COPPER WIRE
- PACKAGE QTY: STD. PKG. -E=20
BULK PKG. -T=200
- MATERIAL:
 - STAMPING - .045" (1.14) THK COPPER, TIN PLATED
 - HOUSING - VINYL, BLUE
- DIMENSIONS IN BRACKETS ARE IN MILLIMETERS
- INSTALLATION TOOL: CT-720
- WIRE STRIP LENGTH: 7/16 $\pm .003$ (11.1 $\pm .08$)


 LISTED
 587H
 E52164

A41218_04

04	1/01	KMD		CAD FILE SPEC. WAS N41218AA_PCD_03						 PANDUIT CORP. TINLEY PARK, ILLINOIS #6 BARREL VINYL INSULATED RING TONGUE .340 (8.64) MAX. WIRE INSUL. DIAMETER	
03	10/94	TH		UPDATED NOTES AND DIMENSIONS	02557						
02	7-88	DW		REDRAWN WITH REVISIONS							
REV	DATE	BY	CHK	DESCRIPTION	ECN #	CUST	PM	DRAWN BY DAW	CHK'D	SCALE NONE	DRAWING NO. A41218