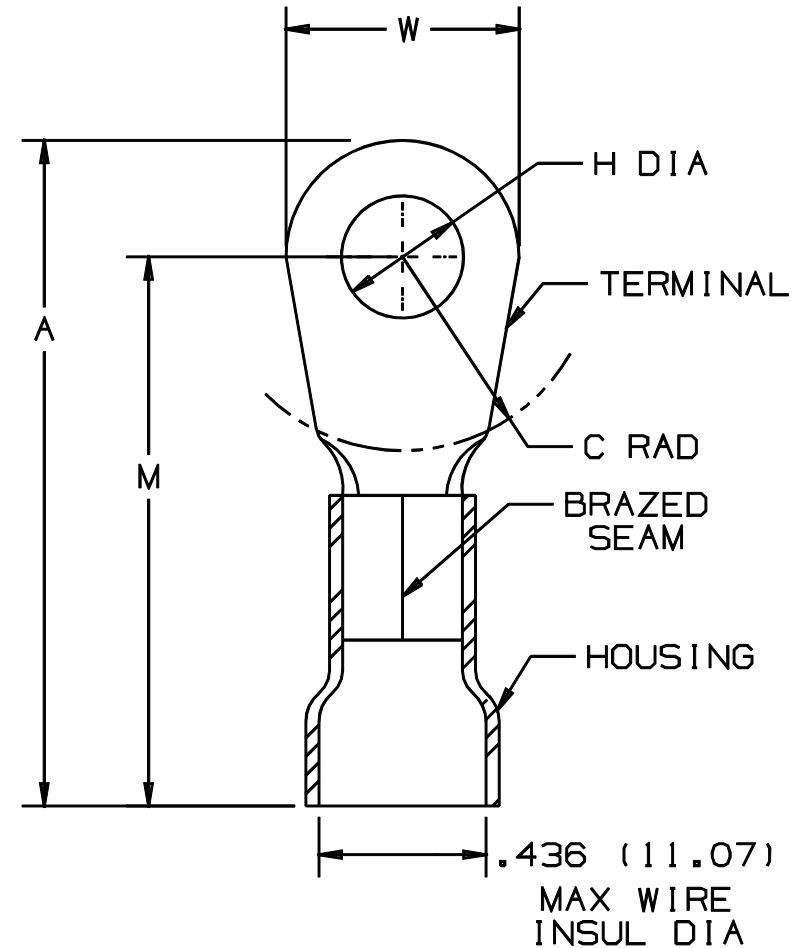


THIS COPY IS PROVIDED ON A RESTRICTED BASIS AND IS NOT TO BE USED IN ANY WAY DETRIMENTAL TO THE INTERESTS OF PANDUIT CORP.

PANDUIT PART NUMBER	STUD SIZE	DIMENSIONS in.				
		A $\pm .03$	W $\pm .01$	C $\pm .02$	M $\pm .03$	H $\pm .01$
PV6-8RX	#8	1.61 (40.89)	.47 (11.94)	.43 (10.92)	1.37 (34.8)	.17 (4.32)
PV6-10RX	#10	1.61 (40.89)	.47 (11.94)	.43 (10.92)	1.37 (34.8)	.20 (5.08)
PV6-14RX	1/4"	1.61 (40.89)	.47 (11.94)	.43 (10.92)	1.37 (34.8)	.27 (6.86)
PV6-56RX	5/16"	1.73 (43.94)	.62 (15.75)	.51 (12.95)	1.42 (36.07)	.33 (8.38)
PV6-38RX	3/8"	1.73 (43.94)	.62 (15.75)	.53 (13.46)	1.42 (36.07)	.39 (9.91)
PV6-12RX	1/2"	1.83 (46.48)	.82 (20.83)	.53 (13.46)	1.42 (36.07)	.52 (13.21)



NOTES:

- UL LISTED FOR:
  - 600V MAX VOLTAGE RATING
  - 221° F (105° C) MAX TEMP RATING
  - #6 AWG STRANDED COPPER WIRE
- PACKAGE QTY: STD. PKG. -E=20  
BULK PKG. -T=200
- MATERIAL:
  - STAMPING - .045" (1.14) THK COPPER, TIN PLATED
  - HOUSING - VINYL, BLUE
- DIMENSIONS IN BRACKETS ARE IN MILLIMETERS
- INSTALLATION TOOL: CT-720
- WIRE STRIP LENGTH: 7/16 <sup>+1/32</sup> .0 (11.1 <sup>+8</sup> .0)

  
 LISTED  
 587H  
 E52164

A41222\_04

04	1/01	KMD		CAD FILE SPEC. WAS N41222AA_PCD_03						 <b>PANDUIT</b> CORP. TINLEY PARK, ILLINOIS  #6 BARREL VINYL INSULATED RING TONGUE .436 (11.07) MAX. WIRE INSUL. DIAMETER	
03	4-95	MS		UPDATED NOTES AND DIMENSIONS	03206						
02	7-88	DW		REDRAWN WITH REVISIONS							
REV	DATE	BY	CHK	DESCRIPTION	ECN #	APP	PM	DRWN BY	CHK'D	SCALE	DRAWING NO.
								DAW		NONE	A41222