

## FEATURES

- Member of the Texas Instruments Widebus+™ Family
- Operates From 1.65 V to 3.6 V
- Inputs Accept Voltages to 5.5 V
- Max  $t_{pd}$  of 4.8 ns at 3.3 V
- Input and Output Ports Have Equivalent 26- $\Omega$  Series Resistors, So No External Resistors Are Required
- Typical  $V_{OLP}$  (Output Ground Bounce) <0.8 V at  $V_{CC} = 3.3$  V,  $T_A = 25^\circ\text{C}$
- Typical  $V_{OHV}$  (Output  $V_{OH}$  Undershoot) >2 V at  $V_{CC} = 3.3$  V,  $T_A = 25^\circ\text{C}$
- Bus Hold on Data Inputs Eliminates the Need for External Pullup/Pulldown Resistors
- $I_{off}$  Supports Partial-Power-Down Mode Operation
- Supports Mixed-Mode Signal Operation on All Ports (5-V Input/Output Voltage With 3.3-V  $V_{CC}$ )
- Other Products to Consider: SN74LVC32245, SN74LVCH32245A, SN74LVCR32245A
- Latch-Up Performance Exceeds 250 mA Per JESD 17
- ESD Protection Exceeds JESD 22
  - 2000-V Human-Body Model (A114-A)
  - 200-V Machine Model (A115-A)
  - 1000-V Charged-Device Model (C101)

## DESCRIPTION/ORDERING INFORMATION

This 32-bit (quad-octal) noninverting bus transceiver is designed for 1.65-V to 3.6-V  $V_{CC}$  operation.

The SN74LVCHR32245A is designed for asynchronous communication between data buses. The control-function implementation minimizes external timing requirements.

This device can be used as four 8-bit transceivers, two 16-bit transceivers, or one 32-bit transceiver. It allows data transmission from the A bus to the B bus or from the B bus to the A bus, depending on the logic level at the direction-control (DIR) input. The output-enable ( $\overline{OE}$ ) input can be used to disable the device so that the buses are effectively isolated.

The data I/Os and control inputs are overvoltage tolerant. This feature allows the use of this device for down translation in a mixed-voltage environment.

The outputs, which are designed to sink up to 12 mA, include equivalent 26- $\Omega$  resistors to reduce overshoot and undershoot.

This device is fully specified for partial-power-down applications using  $I_{off}$ . The  $I_{off}$  circuitry disables the outputs, preventing damaging current backflow through the device when it is powered down.

To ensure the high-impedance state during power up or power down,  $\overline{OE}$  should be tied to  $V_{CC}$  through a pullup resistor; the minimum value of the resistor is determined by the current-sinking capability of the driver.

Active bus-hold circuitry is provided to hold unused or floating data inputs at a valid logic level. Use of pullup or pulldown resistors with the bus-hold circuitry is not recommended. The bus-hold circuitry is part of the input circuit and is not disabled by  $\overline{OE}$  or DIR.

## ORDERING INFORMATION

| $T_A$         | PACKAGE (1)           |               | ORDERABLE PART NUMBER | TOP-SIDE MARKING |
|---------------|-----------------------|---------------|-----------------------|------------------|
| –40°C to 85°C | LFBGA – GKE           | Tape and reel | SN74LVCHR32245AKR     | LQ245A           |
|               | LFBGA – ZKE (Pb-free) |               | 74LVCHR32245AZKER     |                  |

(1) Package drawings, standard packing quantities, thermal data, symbolization, and PCB design guidelines are available at [www.ti.com/sc/package](http://www.ti.com/sc/package).



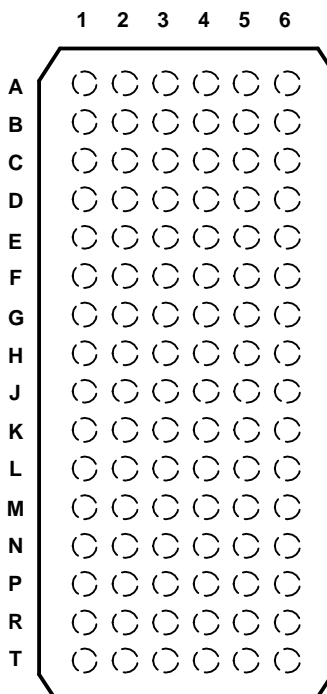
Please be aware that an important notice concerning availability, standard warranty, and use in critical applications of Texas Instruments semiconductor products and disclaimers thereto appears at the end of this data sheet.

Widebus+ is a trademark of Texas Instruments.

**SN74LVCHR32245A**  
**32-BIT BUS TRANSCEIVER**  
**WITH 3-STATE OUTPUTS**

SCES601–AUGUST 2004–REVISED SEPTEMBER 2005

**GKE OR ZKE PACKAGE**  
**(TOP VIEW)**



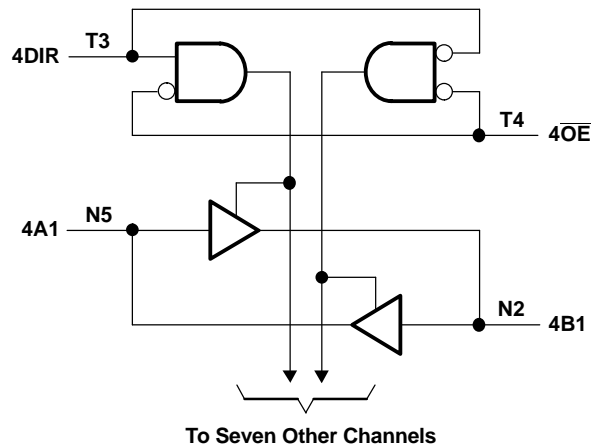
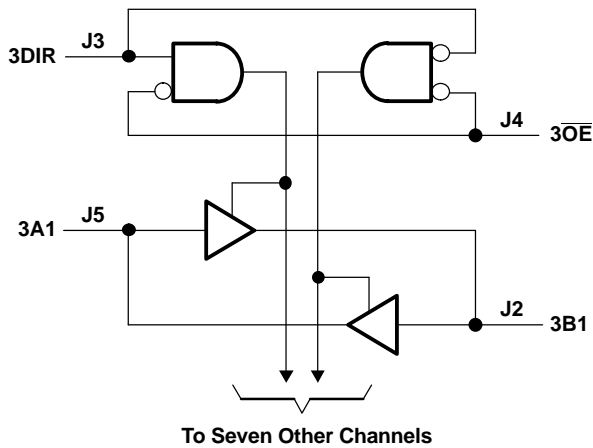
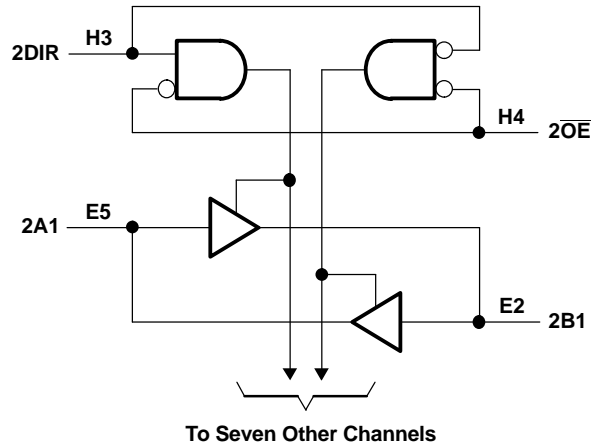
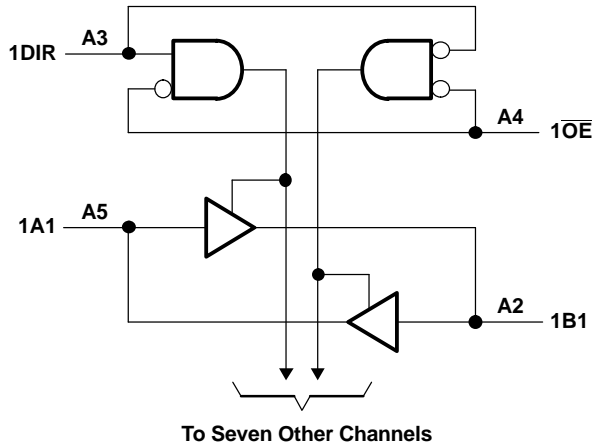
**TERMINAL ASSIGNMENTS**

|          | 1   | 2   | 3               | 4                 | 5   | 6   |
|----------|-----|-----|-----------------|-------------------|-----|-----|
| <b>A</b> | 1B2 | 1B1 | 1DIR            | 1 $\overline{OE}$ | 1A1 | 1A2 |
| <b>B</b> | 1B4 | 1B3 | GND             | GND               | 1A3 | 1A4 |
| <b>C</b> | 1B6 | 1B5 | V <sub>CC</sub> | V <sub>CC</sub>   | 1A5 | 1A6 |
| <b>D</b> | 1B8 | 1B7 | GND             | GND               | 1A7 | 1A8 |
| <b>E</b> | 2B2 | 2B1 | GND             | GND               | 2A1 | 2A2 |
| <b>F</b> | 2B4 | 2B3 | V <sub>CC</sub> | V <sub>CC</sub>   | 2A3 | 2A4 |
| <b>G</b> | 2B6 | 2B5 | GND             | GND               | 2A5 | 2A6 |
| <b>H</b> | 2B7 | 2B8 | 2DIR            | 2 $\overline{OE}$ | 2A8 | 2A7 |
| <b>J</b> | 3B2 | 3B1 | 3DIR            | 3 $\overline{OE}$ | 3A1 | 3A2 |
| <b>K</b> | 3B4 | 3B3 | GND             | GND               | 3A3 | 3A4 |
| <b>L</b> | 3B6 | 3B5 | V <sub>CC</sub> | V <sub>CC</sub>   | 3A5 | 3A6 |
| <b>M</b> | 3B8 | 3B7 | GND             | GND               | 3A7 | 3A8 |
| <b>N</b> | 4B2 | 4B1 | GND             | GND               | 4A1 | 4A2 |
| <b>P</b> | 4B4 | 4B3 | V <sub>CC</sub> | V <sub>CC</sub>   | 4A3 | 4A4 |
| <b>R</b> | 4B6 | 4B5 | GND             | GND               | 4A5 | 4A6 |
| <b>T</b> | 4B7 | 4B8 | 4DIR            | 4 $\overline{OE}$ | 4A8 | 4A7 |

**FUNCTION TABLE  
(EACH 8-BIT SECTION)**

| INPUTS          |     | OPERATION       |
|-----------------|-----|-----------------|
| $\overline{OE}$ | DIR |                 |
| L               | L   | B data to A bus |
| L               | H   | A data to B bus |
| H               | X   | Isolation       |

**LOGIC DIAGRAM (POSITIVE LOGIC)**



# SN74LVCHR32245A

## 32-BIT BUS TRANSCEIVER

### WITH 3-STATE OUTPUTS

SCES601–AUGUST 2004–REVISED SEPTEMBER 2005

### Absolute Maximum Ratings<sup>(1)</sup>

over operating free-air temperature range (unless otherwise noted)

|                  |   | MIN                | MAX                   | UNIT |
|------------------|---|--------------------|-----------------------|------|
| V <sub>CC</sub>  | Supply voltage range  | –0.5               | 6.5                   | V    |
| V <sub>I</sub>   | Input voltage range   | –0.5               | 6.5                   | V    |
| V <sub>O</sub>   | Voltage range applied to any output in the high-impedance or power-off state <sup>(2)</sup> | –0.5               | 6.5                   | V    |
| V <sub>O</sub>   | Voltage range applied to any output in the high or low state <sup>(2)(3)</sup>              | –0.5               | V <sub>CC</sub> + 0.5 | V    |
| I <sub>IK</sub>  | Input clamp current   | V <sub>I</sub> < 0 | –50                   | mA   |
| I <sub>OK</sub>  | Output clamp current  | V <sub>O</sub> < 0 | –50                   | mA   |
| I <sub>O</sub>   | Continuous output current   |                    | ±50                   | mA   |
|                  | Continuous current through each V <sub>CC</sub> or GND                                      |                    | ±100                  | mA   |
| θ <sub>JA</sub>  | Package thermal impedance <sup>(4)</sup>  | GKE/ZKE package    | 40                    | °C/W |
| T <sub>stg</sub> | Storage temperature range   | –65                | 150                   | °C   |

- (1) Stresses beyond those listed under "absolute maximum ratings" may cause permanent damage to the device. These are stress ratings only, and functional operation of the device at these or any other conditions beyond those indicated under "recommended operating conditions" is not implied. Exposure to absolute-maximum-rated conditions for extended periods may affect device reliability.
- (2) The input and output negative-voltage ratings may be exceeded if the input and output current ratings are observed.
- (3) The value of V<sub>CC</sub> is provided in the recommended operating conditions table.
- (4) The package thermal impedance is calculated in accordance with JESD 51-7.

### Recommended Operating Conditions<sup>(1)</sup>

|                 |                                    | MIN                                | MAX                    | UNIT            |   |
|-----------------|------------------------------------|------------------------------------|------------------------|-----------------|---|
| V <sub>CC</sub> | Supply voltage                     | Operating                          | 1.65                   | 3.6             | V |
|                 |                                    | Data retention only                | 1.5                    |                 |   |
| V <sub>IH</sub> | High-level input voltage           | V <sub>CC</sub> = 1.65 V to 1.95 V | 0.65 × V <sub>CC</sub> | V               |   |
|                 |                                    | V <sub>CC</sub> = 2.3 V to 2.7 V   | 1.7                    |                 |   |
|                 |                                    | V <sub>CC</sub> = 2.7 V to 3.6 V   | 2                      |                 |   |
| V <sub>IL</sub> | Low-level input voltage            | V <sub>CC</sub> = 1.65 V to 1.95 V | 0.35 × V <sub>CC</sub> | V               |   |
|                 |                                    | V <sub>CC</sub> = 2.3 V to 2.7 V   | 0.7                    |                 |   |
|                 |                                    | V <sub>CC</sub> = 2.7 V to 3.6 V   | 0.8                    |                 |   |
| V <sub>I</sub>  | Input voltage                      | 0                                  | 5.5                    | V               |   |
| V <sub>O</sub>  | Output voltage                     | High or low state                  | 0                      | V <sub>CC</sub> | V |
|                 |                                    | 3-state                            | 0                      | 5.5             |   |
| I <sub>OH</sub> | High-level output current          | V <sub>CC</sub> = 1.65 V           | –2                     | mA              |   |
|                 |                                    | V <sub>CC</sub> = 2.3 V            | –4                     |                 |   |
|                 |                                    | V <sub>CC</sub> = 2.7 V            | –8                     |                 |   |
|                 |                                    | V <sub>CC</sub> = 3 V              | –12                    |                 |   |
| I <sub>OL</sub> | Low-level output current           | V <sub>CC</sub> = 1.65 V           | 2                      | mA              |   |
|                 |                                    | V <sub>CC</sub> = 2.3 V            | 4                      |                 |   |
|                 |                                    | V <sub>CC</sub> = 2.7 V            | 8                      |                 |   |
|                 |                                    | V <sub>CC</sub> = 3 V              | 12                     |                 |   |
| Δt/Δv           | Input transition rise or fall rate |                                    | 10                     | ns/V            |   |
| T <sub>A</sub>  | Operating free-air temperature     | –40                                | 85                     | °C              |   |

- (1) All unused control inputs of the device must be held at V<sub>CC</sub> or GND to ensure proper device operation. Refer to the TI application report, *Implications of Slow or Floating CMOS Inputs*, literature number SCBA004.

## Electrical Characteristics

over recommended operating free-air temperature range (unless otherwise noted)

| PARAMETER                      |                | TEST CONDITIONS  | V <sub>CC</sub> | MIN                   | TYP <sup>(1)</sup> | MAX  | UNIT |
|--------------------------------|----------------|--|-----------------|-----------------------|--------------------|------|------|
| V <sub>OH</sub>                |                | I <sub>OH</sub> = -100 μA  | 1.65 V to 3.6 V | V <sub>CC</sub> - 0.2 |                    |      | V    |
|                                |                | I <sub>OH</sub> = -2 mA  | 1.65 V          | 1.2                   |                    |      |      |
|                                |                | I <sub>OH</sub> = -4 mA  | 2.3 V           | 1.7                   |                    |      |      |
|                                |                | I <sub>OH</sub> = -8 mA  | 2.7 V           | 2                     |                    |      |      |
|                                |                | I <sub>OH</sub> = -12 mA   | 3 V             | 2.4                   |                    |      |      |
| V <sub>OL</sub>                |                | I <sub>OL</sub> = 100 μA   | 1.65 V to 3.6 V |                       |                    | 0.2  | V    |
|                                |                | I <sub>OL</sub> = 2 mA   | 1.65 V          |                       |                    | 0.45 |      |
|                                |                | I <sub>OL</sub> = 4 mA   | 2.3 V           |                       |                    | 0.7  |      |
|                                |                | I <sub>OL</sub> = 8 mA   | 2.7 V           |                       |                    | 0.6  |      |
|                                |                | I <sub>OL</sub> = 12 mA  | 3 V             |                       |                    | 0.8  |      |
| I <sub>I</sub>                 | Control inputs | V <sub>I</sub> = 0 to 5.5 V  | 3.6 V           |                       |                    | ±5   | μA   |
| I <sub>I(hold)</sub>           |                | V <sub>I</sub> = 0.58 V  | 1.65 V          | 25                    |                    |      | μA   |
|                                |                | V <sub>I</sub> = 1.07 V  |                 | -25                   |                    |      |      |
|                                |                | V <sub>I</sub> = 0.7 V   | 2.3 V           | 45                    |                    |      |      |
|                                |                | V <sub>I</sub> = 1.7 V   |                 | -45                   |                    |      |      |
|                                |                | V <sub>I</sub> = 0.8 V   | 3 V             | 75                    |                    |      |      |
|                                |                | V <sub>I</sub> = 2 V   |                 | -75                   |                    |      |      |
|                                |                | V <sub>I</sub> = 0 to 3.6 V <sup>(2)</sup>                                   | 3.6 V           |                       |                    | ±500 |      |
| I <sub>off</sub>               |                | V <sub>I</sub> or V <sub>O</sub> = 5.5 V                                     | 0               |                       |                    | ±10  | μA   |
| I <sub>OZ</sub> <sup>(3)</sup> |                | V <sub>O</sub> = 0 V or (V <sub>CC</sub> to 5.5 V)                           | 2.3 V to 3.6 V  |                       |                    | ±5   | μA   |
| I <sub>CC</sub>                |                | V <sub>I</sub> = V <sub>CC</sub> or GND                                      | 3.6 V           | I <sub>O</sub> = 0    |                    | 40   | μA   |
|                                |                | 3.6 V ≤ V <sub>I</sub> ≤ 5.5 V <sup>(4)</sup>                                |                 |                       |                    | 40   |      |
| ΔI <sub>CC</sub>               |                | One input at V <sub>CC</sub> - 0.6 V, Other inputs at V <sub>CC</sub> or GND | 2.7 V to 3.6 V  |                       |                    | 500  | μA   |
| C <sub>i</sub>                 | Control inputs | V <sub>I</sub> = V <sub>CC</sub> or GND                                      | 3.3 V           |                       |                    | 3    | pF   |
| C <sub>io</sub>                | A or B port    | V <sub>O</sub> = V <sub>CC</sub> or GND                                      | 3.3 V           |                       |                    | 12   | pF   |

(1) All typical values are at V<sub>CC</sub> = 3.3 V, T<sub>A</sub> = 25°C.

(2) This is the bus-hold maximum dynamic current. It is the minimum overdrive current required to switch the input from one state to another.

(3) For the total leakage current in an I/O port, please consult the I<sub>I(hold)</sub> specification for the input voltage condition 0 V < V<sub>I</sub> < V<sub>CC</sub>, and the I<sub>OZ</sub> specification for the input voltage conditions V<sub>I</sub> = 0 V or V<sub>I</sub> = V<sub>CC</sub> to 5.5 V. The bus-hold current, at input voltage greater than V<sub>CC</sub>, is negligible.

(4) This applies in the disabled state only.

## Switching Characteristics

over recommended operating free-air temperature range (unless otherwise noted) (see Figure 1)

| PARAMETER        | FROM (INPUT)    | TO (OUTPUT) | V <sub>CC</sub> = 1.8 V ± 0.15 V |      | V <sub>CC</sub> = 2.5 V ± 0.2 V |      | V <sub>CC</sub> = 2.7 V |     | V <sub>CC</sub> = 3.3 V ± 0.3 V |     | UNIT |
|------------------|-----------------|-------------|----------------------------------|------|---------------------------------|------|-------------------------|-----|---------------------------------|-----|------|
|                  |                 |             | MIN                              | MAX  | MIN                             | MAX  | MIN                     | MAX | MIN                             | MAX |      |
| t <sub>pd</sub>  | A or B          | B or A      | 1                                | 12.5 | 1                               | 9.5  | 1                       | 5.7 | 1.5                             | 4.8 | ns   |
| t <sub>en</sub>  | $\overline{OE}$ | A or B      | 1                                | 15.8 | 1                               | 12.2 | 1                       | 7.9 | 1.5                             | 6.3 | ns   |
| t <sub>dis</sub> | $\overline{OE}$ | A or B      | 1                                | 19.2 | 1                               | 11.9 | 1                       | 8.3 | 2.2                             | 7.4 | ns   |

# SN74LVCHR32245A 32-BIT BUS TRANSCEIVER WITH 3-STATE OUTPUTS

SCES601–AUGUST 2004–REVISED SEPTEMBER 2005

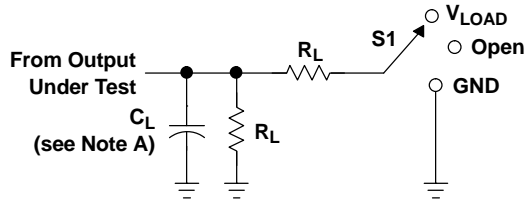
## Operating Characteristics

$T_A = 25^\circ\text{C}$

| PARAMETER |                               | TEST CONDITIONS | $V_{CC} = 1.8\text{ V}$ | $V_{CC} = 2.5\text{ V}$ | $V_{CC} = 3.3\text{ V}$ | UNIT |
|-----------|-------------------------------|-----------------|-------------------------|-------------------------|-------------------------|------|
|           |                               |                 | TYP                     | TYP                     | TYP                     |      |
| $C_{pd}$  | Power dissipation capacitance | f = 10 MHz      | (1)                     | (1)                     | 39                      | pF   |
|           | Outputs disabled              |                 | (1)                     | (1)                     | 4                       |      |

(1) This information was not available at the time of publication.

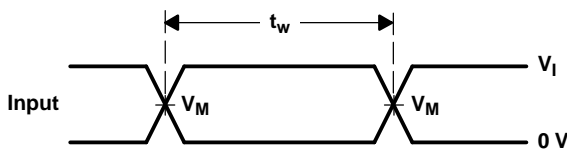
PARAMETER MEASUREMENT INFORMATION



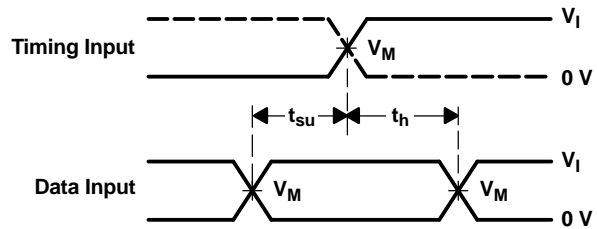
LOAD CIRCUIT

| TEST              | S1         |
|-------------------|------------|
| $t_{PLH}/t_{PHL}$ | Open       |
| $t_{PLZ}/t_{PZL}$ | $V_{LOAD}$ |
| $t_{PHZ}/t_{PZH}$ | GND        |

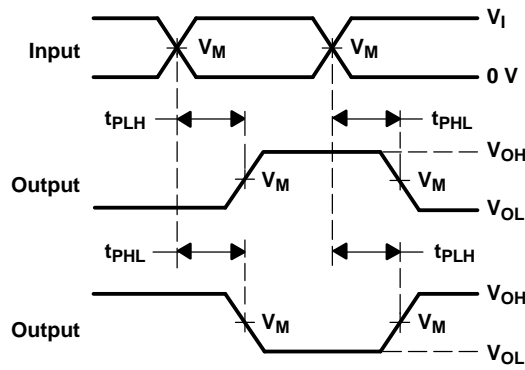
| $V_{CC}$                         | INPUTS   |                      | $V_M$      | $V_{LOAD}$        | $C_L$ | $R_L$        | $V_{\Delta}$ |
|----------------------------------|----------|----------------------|------------|-------------------|-------|--------------|--------------|
|                                  | $V_I$    | $t_r/t_f$            |            |                   |       |              |              |
| $1.8\text{ V} \pm 0.15\text{ V}$ | $V_{CC}$ | $\leq 2\text{ ns}$   | $V_{CC}/2$ | $2 \times V_{CC}$ | 30 pF | 1 k $\Omega$ | 0.15 V       |
| $2.5\text{ V} \pm 0.2\text{ V}$  | $V_{CC}$ | $\leq 2\text{ ns}$   | $V_{CC}/2$ | $2 \times V_{CC}$ | 30 pF | 500 $\Omega$ | 0.15 V       |
| 2.7 V                            | 2.7 V    | $\leq 2.5\text{ ns}$ | 1.5 V      | 6 V               | 50 pF | 500 $\Omega$ | 0.3 V        |
| $3.3\text{ V} \pm 0.3\text{ V}$  | 2.7 V    | $\leq 2.5\text{ ns}$ | 1.5 V      | 6 V               | 50 pF | 500 $\Omega$ | 0.3 V        |



VOLTAGE WAVEFORMS  
PULSE DURATION



VOLTAGE WAVEFORMS  
SETUP AND HOLD TIMES



VOLTAGE WAVEFORMS  
PROPAGATION DELAY TIMES  
INVERTING AND NONINVERTING OUTPUTS



VOLTAGE WAVEFORMS  
ENABLE AND DISABLE TIMES  
LOW- AND HIGH-LEVEL ENABLING

- NOTES:
- $C_L$  includes probe and jig capacitance.
  - Waveform 1 is for an output with internal conditions such that the output is low, except when disabled by the output control. Waveform 2 is for an output with internal conditions such that the output is high, except when disabled by the output control.
  - All input pulses are supplied by generators having the following characteristics:  $PRR \leq 10\text{ MHz}$ ,  $Z_O = 50\ \Omega$ .
  - The outputs are measured one at a time, with one transition per measurement.
  - $t_{PLZ}$  and  $t_{PHZ}$  are the same as  $t_{dis}$ .
  - $t_{PZL}$  and  $t_{PZH}$  are the same as  $t_{en}$ .
  - $t_{PLH}$  and  $t_{PHL}$  are the same as  $t_{pd}$ .
  - All parameters and waveforms are not applicable to all devices.

Figure 1. Load Circuit and Voltage Waveforms

**PACKAGING INFORMATION**

| Orderable Device  | Status <sup>(1)</sup> | Package Type | Package Drawing | Pins | Package Qty | Eco Plan <sup>(2)</sup> | Lead/Ball Finish | MSL Peak Temp <sup>(3)</sup> |
|-------------------|-----------------------|--------------|-----------------|------|-------------|-------------------------|------------------|------------------------------|
| 74LVCHR32245AZKER | ACTIVE                | LFBGA        | ZKE             | 96   | 1000        | Green (RoHS & no Sb/Br) | SNAGCU           | Level-3-260C-168 HR          |
| SN74LVCHR32245AKR | NRND                  | LFBGA        | GKE             | 96   | 1000        | TBD                     | SNPB             | Level-2-235C-1 YEAR          |

<sup>(1)</sup> The marketing status values are defined as follows:

**ACTIVE:** Product device recommended for new designs.

**LIFEBUY:** TI has announced that the device will be discontinued, and a lifetime-buy period is in effect.

**NRND:** Not recommended for new designs. Device is in production to support existing customers, but TI does not recommend using this part in a new design.

**PREVIEW:** Device has been announced but is not in production. Samples may or may not be available.

**OBSELETE:** TI has discontinued the production of the device.

<sup>(2)</sup> Eco Plan - The planned eco-friendly classification: Pb-Free (RoHS), Pb-Free (RoHS Exempt), or Green (RoHS & no Sb/Br) - please check <http://www.ti.com/productcontent> for the latest availability information and additional product content details.

**TBD:** The Pb-Free/Green conversion plan has not been defined.

**Pb-Free (RoHS):** TI's terms "Lead-Free" or "Pb-Free" mean semiconductor products that are compatible with the current RoHS requirements for all 6 substances, including the requirement that lead not exceed 0.1% by weight in homogeneous materials. Where designed to be soldered at high temperatures, TI Pb-Free products are suitable for use in specified lead-free processes.

**Pb-Free (RoHS Exempt):** This component has a RoHS exemption for either 1) lead-based flip-chip solder bumps used between the die and package, or 2) lead-based die adhesive used between the die and leadframe. The component is otherwise considered Pb-Free (RoHS compatible) as defined above.

**Green (RoHS & no Sb/Br):** TI defines "Green" to mean Pb-Free (RoHS compatible), and free of Bromine (Br) and Antimony (Sb) based flame retardants (Br or Sb do not exceed 0.1% by weight in homogeneous material)

<sup>(3)</sup> MSL, Peak Temp. -- The Moisture Sensitivity Level rating according to the JEDEC industry standard classifications, and peak solder temperature.

**Important Information and Disclaimer:**The information provided on this page represents TI's knowledge and belief as of the date that it is provided. TI bases its knowledge and belief on information provided by third parties, and makes no representation or warranty as to the accuracy of such information. Efforts are underway to better integrate information from third parties. TI has taken and continues to take reasonable steps to provide representative and accurate information but may not have conducted destructive testing or chemical analysis on incoming materials and chemicals. TI and TI suppliers consider certain information to be proprietary, and thus CAS numbers and other limited information may not be available for release.

In no event shall TI's liability arising out of such information exceed the total purchase price of the TI part(s) at issue in this document sold by TI to Customer on an annual basis.



**TAPE AND REEL INFORMATION**



**QUADRANT ASSIGNMENTS FOR PIN 1 ORIENTATION IN TAPE**



\*All dimensions are nominal

| Device            | Package Type | Package Drawing | Pins | SPQ  | Reel Diameter (mm) | Reel Width W1 (mm) | A0 (mm) | B0 (mm) | K0 (mm) | P1 (mm) | W (mm) | Pin1 Quadrant |
|-------------------|--------------|-----------------|------|------|--------------------|--------------------|---------|---------|---------|---------|--------|---------------|
| 74LVCHR32245AZKER | LFBGA        | ZKE             | 96   | 1000 | 330.0              | 24.4               | 5.7     | 13.7    | 2.0     | 8.0     | 24.0   | Q1            |
| SN74LVCHR32245AKR | LFBGA        | GKE             | 96   | 1000 | 330.0              | 24.4               | 5.7     | 13.7    | 2.0     | 8.0     | 24.0   | Q1            |

**TAPE AND REEL BOX DIMENSIONS**



\*All dimensions are nominal

| Device            | Package Type | Package Drawing | Pins | SPQ  | Length (mm) | Width (mm) | Height (mm) |
|-------------------|--------------|-----------------|------|------|-------------|------------|-------------|
| 74LVCHR32245AZKER | LFBGA        | ZKE             | 96   | 1000 | 346.0       | 346.0      | 41.0        |
| SN74LVCHR32245AKR | LFBGA        | GKE             | 96   | 1000 | 346.0       | 346.0      | 41.0        |

GKE (R-PBGA-N96)

PLASTIC BALL GRID ARRAY



4188953/F 06/04

- NOTES:
- A. All linear dimensions are in millimeters.
  - B. This drawing is subject to change without notice.
  - C. Falls within JEDEC MO-205 variation CC.
  - D. This package is tin-lead (SnPb). Refer to the 96 ZKE package (drawing 4204493) for lead-free.

ZKE (R-PBGA-N96)

PLASTIC BALL GRID ARRAY



- NOTES:
- A. All linear dimensions are in millimeters.
  - B. This drawing is subject to change without notice.
  - C. Falls within JEDEC MO-205 variation CC.
  - D. This package is lead-free. Refer to the 96 GKE package (drawing 4188953) for tin-lead (SnPb).

## IMPORTANT NOTICE

Texas Instruments Incorporated and its subsidiaries (TI) reserve the right to make corrections, modifications, enhancements, improvements, and other changes to its products and services at any time and to discontinue any product or service without notice. Customers should obtain the latest relevant information before placing orders and should verify that such information is current and complete. All products are sold subject to TI's terms and conditions of sale supplied at the time of order acknowledgment.

TI warrants performance of its hardware products to the specifications applicable at the time of sale in accordance with TI's standard warranty. Testing and other quality control techniques are used to the extent TI deems necessary to support this warranty. Except where mandated by government requirements, testing of all parameters of each product is not necessarily performed.

TI assumes no liability for applications assistance or customer product design. Customers are responsible for their products and applications using TI components. To minimize the risks associated with customer products and applications, customers should provide adequate design and operating safeguards.

TI does not warrant or represent that any license, either express or implied, is granted under any TI patent right, copyright, mask work right, or other TI intellectual property right relating to any combination, machine, or process in which TI products or services are used. Information published by TI regarding third-party products or services does not constitute a license from TI to use such products or services or a warranty or endorsement thereof. Use of such information may require a license from a third party under the patents or other intellectual property of the third party, or a license from TI under the patents or other intellectual property of TI.

Reproduction of TI information in TI data books or data sheets is permissible only if reproduction is without alteration and is accompanied by all associated warranties, conditions, limitations, and notices. Reproduction of this information with alteration is an unfair and deceptive business practice. TI is not responsible or liable for such altered documentation. Information of third parties may be subject to additional restrictions.

Resale of TI products or services with statements different from or beyond the parameters stated by TI for that product or service voids all express and any implied warranties for the associated TI product or service and is an unfair and deceptive business practice. TI is not responsible or liable for any such statements.

TI products are not authorized for use in safety-critical applications (such as life support) where a failure of the TI product would reasonably be expected to cause severe personal injury or death, unless officers of the parties have executed an agreement specifically governing such use. Buyers represent that they have all necessary expertise in the safety and regulatory ramifications of their applications, and acknowledge and agree that they are solely responsible for all legal, regulatory and safety-related requirements concerning their products and any use of TI products in such safety-critical applications, notwithstanding any applications-related information or support that may be provided by TI. Further, Buyers must fully indemnify TI and its representatives against any damages arising out of the use of TI products in such safety-critical applications.

TI products are neither designed nor intended for use in military/aerospace applications or environments unless the TI products are specifically designated by TI as military-grade or "enhanced plastic." Only products designated by TI as military-grade meet military specifications. Buyers acknowledge and agree that any such use of TI products which TI has not designated as military-grade is solely at the Buyer's risk, and that they are solely responsible for compliance with all legal and regulatory requirements in connection with such use.

TI products are neither designed nor intended for use in automotive applications or environments unless the specific TI products are designated by TI as compliant with ISO/TS 16949 requirements. Buyers acknowledge and agree that, if they use any non-designated products in automotive applications, TI will not be responsible for any failure to meet such requirements.

Following are URLs where you can obtain information on other Texas Instruments products and application solutions:

### Products

|                             |  |
|-----------------------------|--|
| Amplifiers                  | <a href="http://amplifier.ti.com">amplifier.ti.com</a>             |
| Data Converters             | <a href="http://dataconverter.ti.com">dataconverter.ti.com</a>     |
| DSP                         | <a href="http://dsp.ti.com">dsp.ti.com</a>                         |
| Clocks and Timers           | <a href="http://www.ti.com/clocks">www.ti.com/clocks</a>           |
| Interface                   | <a href="http://interface.ti.com">interface.ti.com</a>             |
| Logic                       | <a href="http://logic.ti.com">logic.ti.com</a>                     |
| Power Mgmt                  | <a href="http://power.ti.com">power.ti.com</a>                     |
| Microcontrollers            | <a href="http://microcontroller.ti.com">microcontroller.ti.com</a> |
| RFID                        | <a href="http://www.ti-rfid.com">www.ti-rfid.com</a>               |
| RF/IF and ZigBee® Solutions | <a href="http://www.ti.com/lprf">www.ti.com/lprf</a>               |

### Applications

|                    |  |
|--------------------|--|
| Audio              | <a href="http://www.ti.com/audio">www.ti.com/audio</a>                   |
| Automotive         | <a href="http://www.ti.com/automotive">www.ti.com/automotive</a>         |
| Broadband          | <a href="http://www.ti.com/broadband">www.ti.com/broadband</a>           |
| Digital Control    | <a href="http://www.ti.com/digitalcontrol">www.ti.com/digitalcontrol</a> |
| Medical            | <a href="http://www.ti.com/medical">www.ti.com/medical</a>               |
| Military           | <a href="http://www.ti.com/military">www.ti.com/military</a>             |
| Optical Networking | <a href="http://www.ti.com/opticalnetwork">www.ti.com/opticalnetwork</a> |
| Security           | <a href="http://www.ti.com/security">www.ti.com/security</a>             |
| Telephony          | <a href="http://www.ti.com/telephony">www.ti.com/telephony</a>           |
| Video & Imaging    | <a href="http://www.ti.com/video">www.ti.com/video</a>                   |
| Wireless           | <a href="http://www.ti.com/wireless">www.ti.com/wireless</a>             |

Mailing Address: Texas Instruments, Post Office Box 655303, Dallas, Texas 75265  
Copyright © 2008, Texas Instruments Incorporated