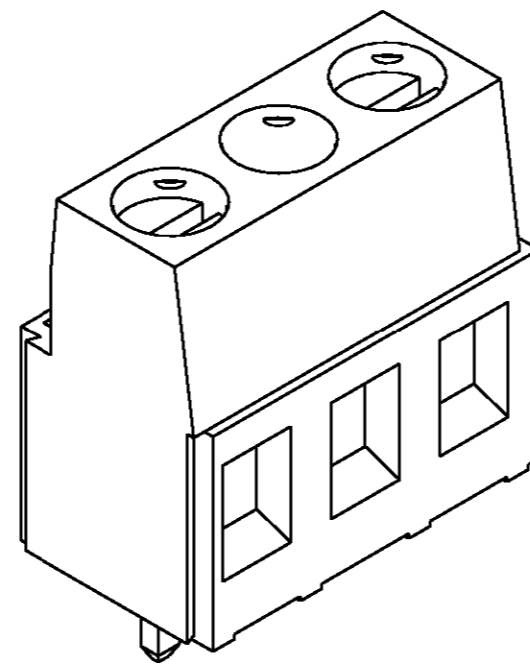
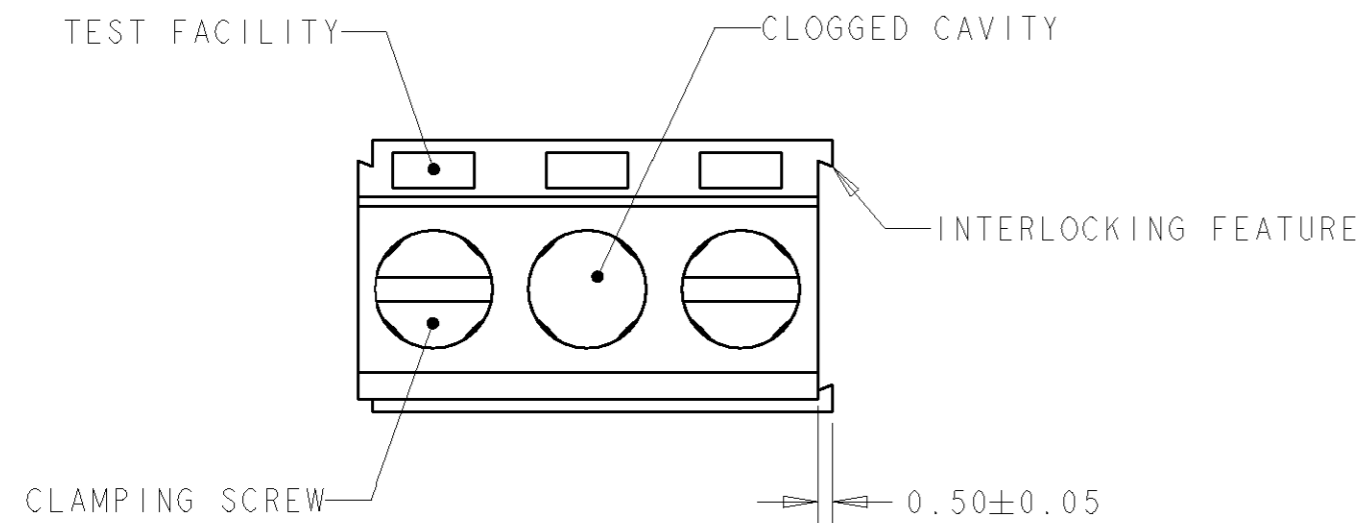


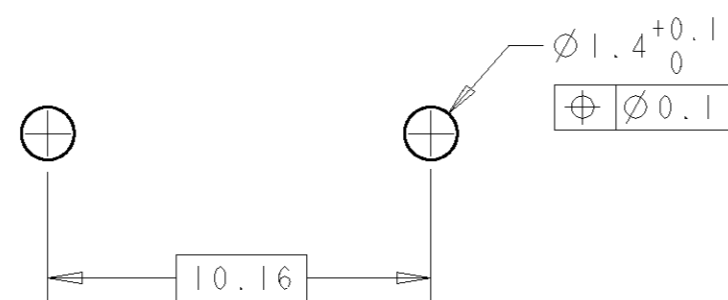
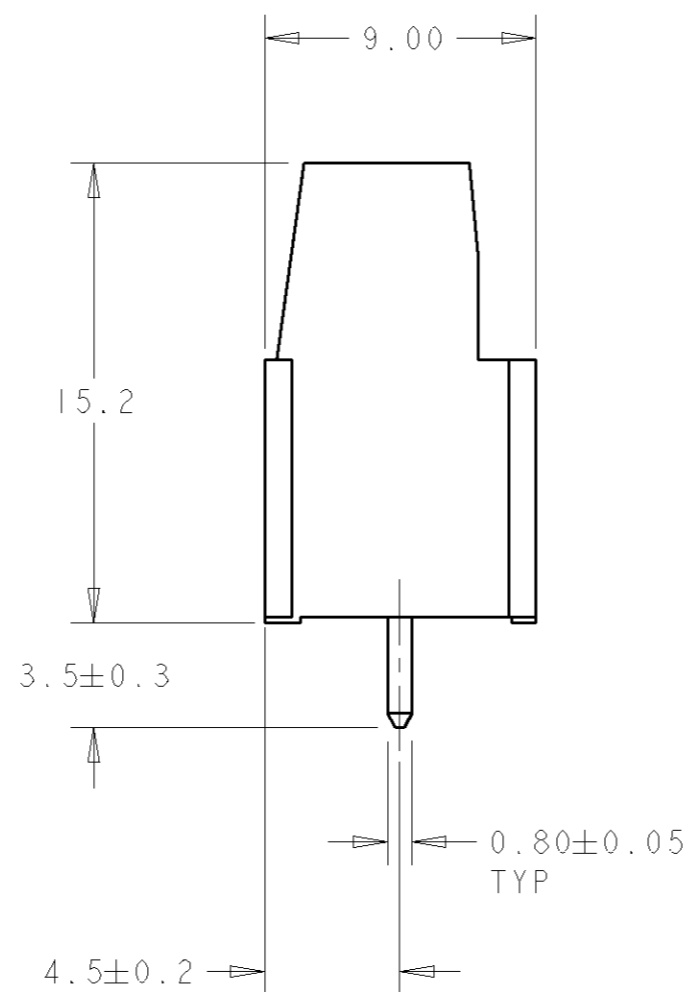
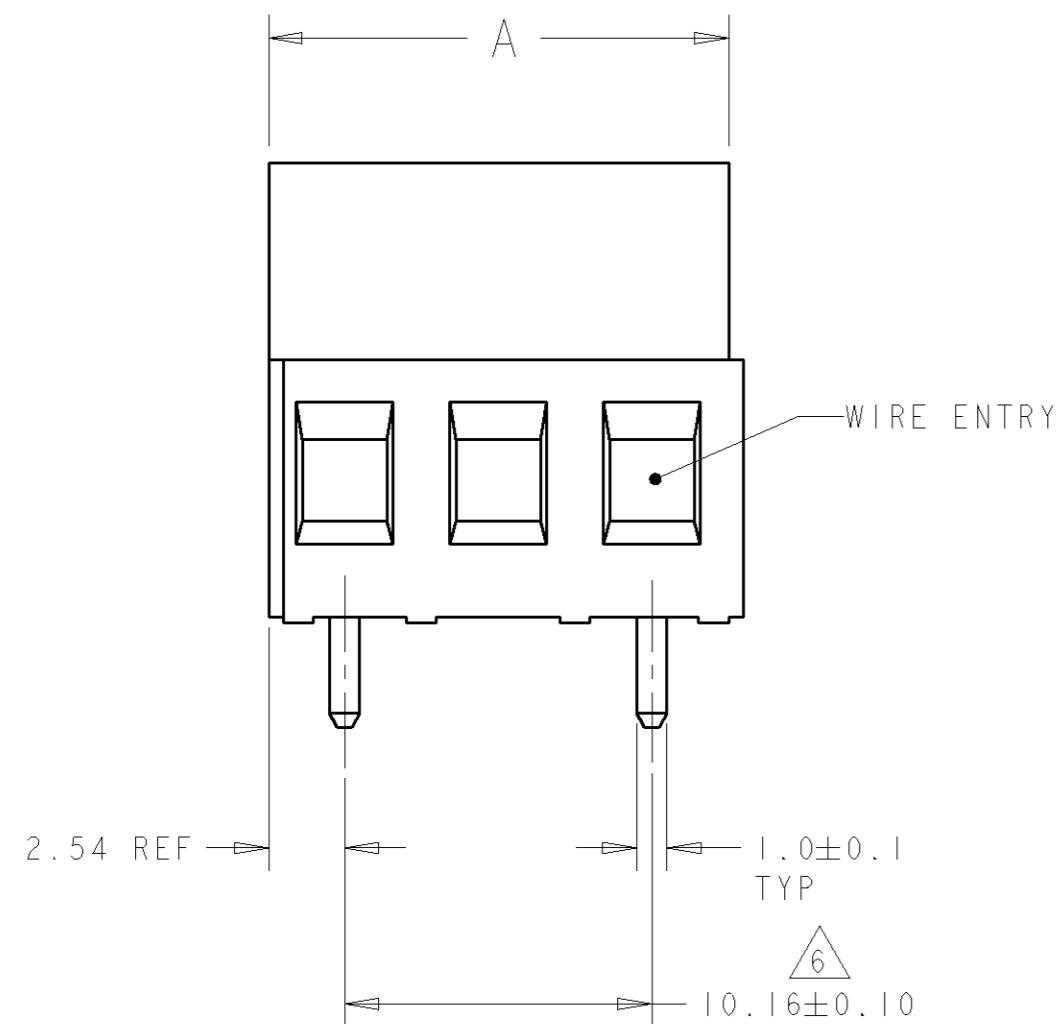
THIS DRAWING IS UNPUBLISHED. RELEASED FOR PUBLICATION 20
 © COPYRIGHT 20 BY TYCO ELECTRONICS CORPORATION. ALL RIGHTS RESERVED.

LOC	DIST	REVISIONS			
P	LTR	DESCRIPTION	DATE	DWN	APVD
FT	0				
	E	REVISED EC 0G3B-0716-03	21OCT2003	SW	CR



282843-2 AS SHOWN

- 1. MATERIALS AND FINISH:
 HOUSING: PA 6-6, UL 94-V0, COLOR: GREEN.
 CLAMP: BRASS, NICKEL PLATED.
 TERMINAL: BRASS, TIN PLATED.
 CLAMPING SCREW: M3, BRASS, NICKEL PLATED.
- 2. SUITABLE FOR 1,6-2,4mm. PCB THICKNESS.
- 3. WIRE SIZE RANGE
 SOLID WIRE: 0,03-2,5mm² (13AWG)
 STRANDED WIRE: 0,03-1,5mm² (15AWG)
- 4. RECOGNIZED UNDER THE COMPONENT PROGRAM OF UNDERWRITERS LABORATORIES INC. FILE No E60677.
- 5. IMQ CERTIFICATE WITH SURVEILLANCE IN CONFORMITY WITH IEC 998-1/998-2-1.
- 6. NOT CUMULATIVE TOLERANCE.
- 7. INK MARKING: COLOR BLACK.



RECOMMENDED PC BOARD LAYOUT
 SCALE 5:1

SEE DETAIL L	15.24	3	1-282843-4
-	127.00	13	1-282843-3
-	116.84	12	1-282843-2
-	106.68	11	1-282843-1
-	96.52	10	1-282843-0
-	86.36	9	282843-9
-	76.20	8	282843-8
-	66.04	7	282843-7
-	55.88	6	282843-6
-	45.72	5	282843-5
-	35.56	4	282843-4
-	25.40	3	282843-3
-	15.24	2	282843-2
MARKING	A	POSN	PART NUMBER

<small>THIS DRAWING IS A CONTROLLED DOCUMENT FOR TYCO ELECTRONICS CORPORATION. IT IS SUBJECT TO CHANGE AND THE CONTROLLING ENGINEERING ORGANIZATION SHOULD BE CONTACTED FOR THE LATEST REVISION.</small>		DWN E.ZANOLINI 05SEP2001 CHK D.BIEVENOUR 05SEP2001 APVD D.BIEVENOUR 05SEP2001	BUCHANAN Tyco Electronics Harrisburg, PA 17105-3608
DIMENSIONS: mm 	TOLERANCES UNLESS OTHERWISE SPECIFIED: 0 PLC ±0 1 PLC ±.3 2 PLC ±.25 3 PLC ±0 4 PLC ±0 ANGLES ±2° FINISH	NAME PRODUCT SPEC APPLICATION SPEC WEIGHT	NAME TERMINAL BLOCK, PCB MOUNT, SIDE WIRE ENTRY, STACKING W/INTERLOCK, 10.16mm PITCH SIZE A2 CAGE CODE 00779 DRAWING NO G-282843 RESTRICTED TO -
MATERIAL 		CUSTOMER DRAWING SCALE 4:1 SHEET 1 OF 2 REV E	

4

3

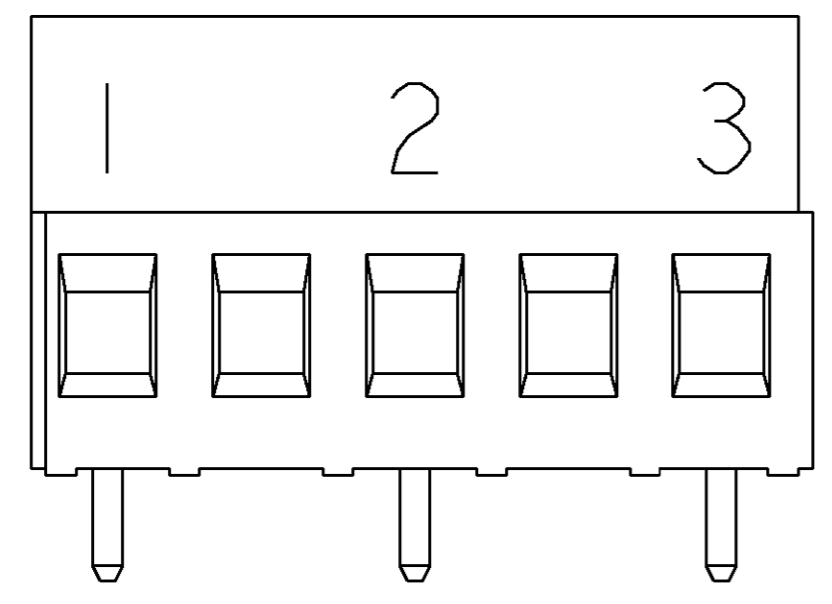
2

1

THIS DRAWING IS UNPUBLISHED. RELEASED FOR PUBLICATION 20

© COPYRIGHT 20 BY TYCO ELECTRONICS CORPORATION. ALL RIGHTS RESERVED.

LOC	DIST	REVISIONS					
FT	0	P	LTR	DESCRIPTION	DATE	DWN	APVD
				SEE SHEET 1	-	-	-



7 DETAIL L

<small>THIS DRAWING IS A CONTROLLED DOCUMENT FOR TYCO ELECTRONICS CORPORATION IT IS SUBJECT TO CHANGE AND THE CONTROLLING ENGINEERING ORGANIZATION SHOULD BE CONTACTED FOR THE LATEST REVISION.</small>		DWN 05SEP2001 E. ZANOLINI CHK 05SEP2001 D. BIEVENOUR APVD 05SEP2001 D. BIEVENOUR	Tyco Electronics Harrisburg, PA 17105-3608		
DIMENSIONS: mm	TOLERANCES UNLESS OTHERWISE SPECIFIED: 0 PLC ±0 1 PLC ±.3 2 PLC ±.25 3 PLC ±0 4 PLC ±0 ANGLES ±2° FINISH -	PRODUCT SPEC - APPLICATION SPEC - WEIGHT -	NAME TERMINAL BLOCK, PCB MOUNT, SIDE WIRE ENTRY, STACKING W/INTERLOCK, 10.16mm PITCH		
MATERIAL -			SIZE A2 CAGE CODE 00779 DRAWING NO. 282843	RESTRICTED TO -	
CUSTOMER DRAWING			SCALE 4:1	SHEET 2 OF 2	REV E