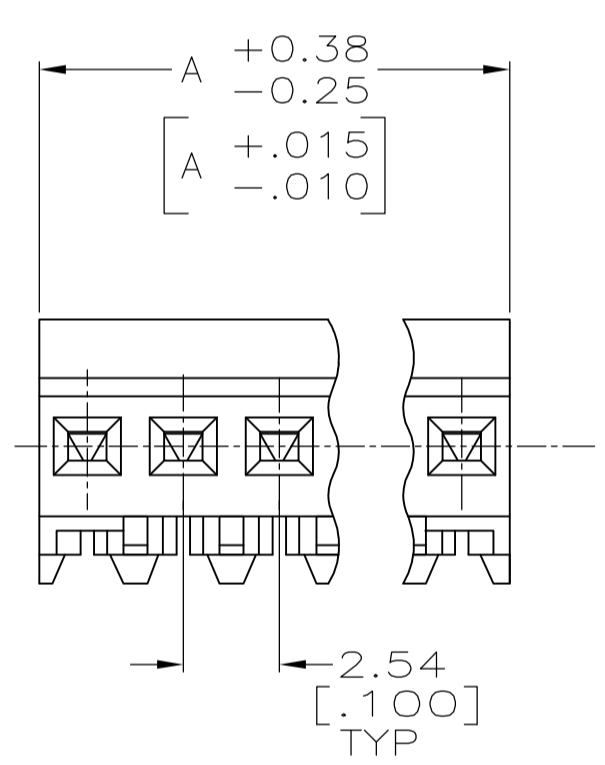
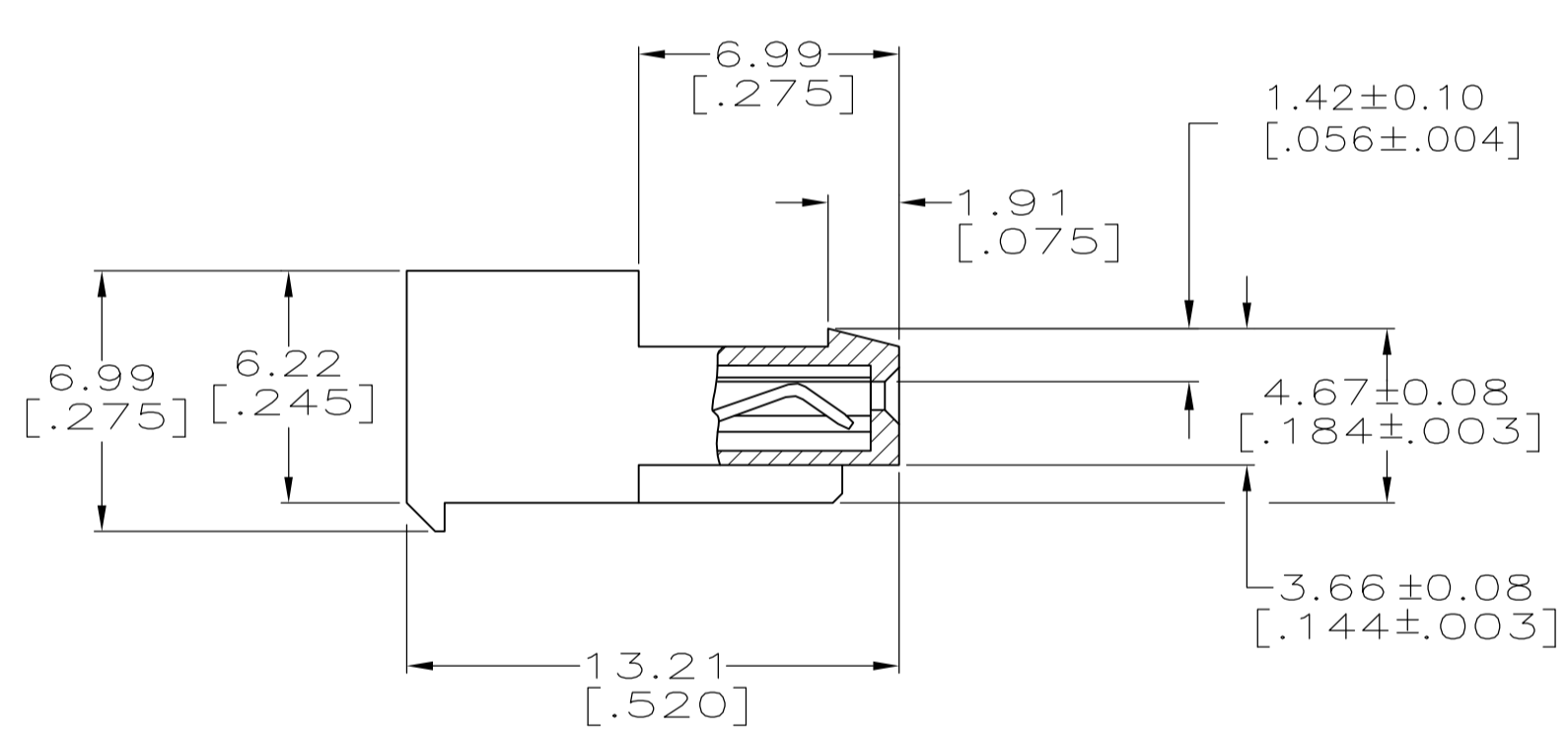
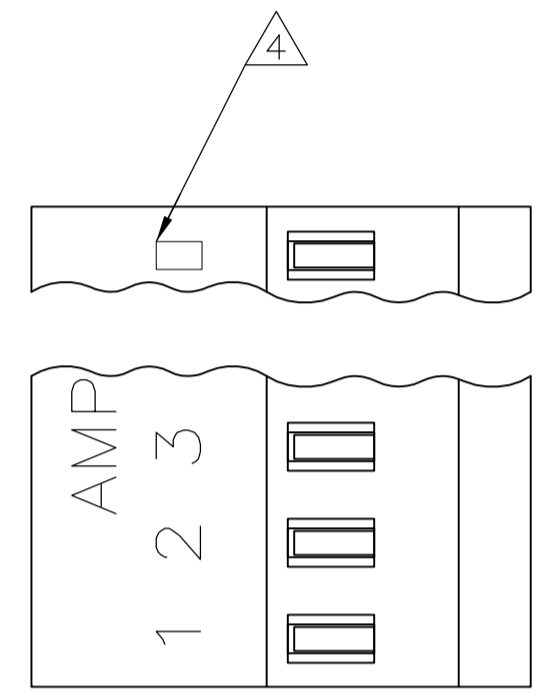


LOC		DIST		REVISIONS			
P	LTR	DESCRIPTION	DATE	DMN	APVO		
T		REVISION PER ECO-07-003754	27FEB07	KW	DB		
T1		REVISED PER ECO-10-000443	15JAN10	KK	AEG		



- 1 MATERIAL: CONNECTOR-NYLON UL94V-2 (GREEN). CONTACTS-0.30 [.012] THICK COPPER ALLOY 0.000038 [.000015] GOLD IN CONTACT AREA WITH BRIGHT TIN-LEAD FOR 641193-2 THRU 2-641193-8, MATTE WHISKER MITIGATED TIN FOR 3-641193-2 THRU 5-641193-8 OVER NICKEL UNDERPLATE.
2. CONTACTS ACCEPT 28 AWG WIRE WITH 1.52 [.060] MAX INSULATION DIAMETER.
3. CONTACTS MUST ACCEPT 0.64±0.03 [.025±.001] SQUARE POST AND REMAIN LOCKED IN POSITION.
- 4 IDENTIFICATION NUMBER FOR LAST CIRCUIT MAY NOT APPEAR ON ALL ASSEMBLIES.
5. DIMENSIONS IN BRACKETS ARE IN INCHES.
6. HOUSING FEATURES ARE: CLOSED END WITH LOCKING RAMP.
- 7 OBSOLETE PARTS: OBSOLETE CIS STREAMLINING PER D.RENAUD/D.SINISI

DIM A	NO.OF POSN	ASSEMBLY
71.12 [2.800]	28	5-641193-8
66.04 [2.600]	27	5-641193-7
63.50 [2.500]	26	5-641193-6
63.50 [2.500]	25	5-641193-5
60.96 [2.400]	24	5-641193-4
58.42 [2.300]	23	5-641193-3
55.88 [2.200]	22	5-641193-2
53.34 [2.100]	21	5-641193-1
50.80 [2.000]	20	5-641193-0
48.26 [1.900]	19	4-641193-9
45.72 [1.800]	18	4-641193-8
43.18 [1.700]	17	4-641193-7
40.64 [1.600]	16	4-641193-6
38.10 [1.500]	15	4-641193-5
35.56 [1.400]	14	4-641193-4
33.02 [1.300]	13	4-641193-3
30.48 [1.200]	12	4-641193-2
27.94 [1.100]	11	4-641193-1
25.40 [1.000]	10	4-641193-0
22.86 [.900]	9	3-641193-9
20.32 [.800]	8	3-641193-8
17.78 [.700]	7	3-641193-7
15.24 [.600]	6	3-641193-6
12.70 [.500]	5	3-641193-5
10.16 [.400]	4	3-641193-4
7.62 [.300]	3	3-641193-3
5.08 [.200]	2	3-641193-2
DIM A	NO.OF POSN	ASSEMBLY

DIM A	NO.OF POSN	ASSEMBLY
71.12 [2.800]	28	2-641193-8
66.04 [2.600]	27	2-641193-7
63.50 [2.500]	26	2-641193-6
63.50 [2.500]	25	2-641193-5
60.96 [2.400]	24	2-641193-4
58.42 [2.300]	23	2-641193-3
55.88 [2.200]	22	2-641193-2
53.34 [2.100]	21	2-641193-1
50.80 [2.000]	20	2-641193-0
48.26 [1.900]	19	1-641193-9
45.72 [1.800]	18	1-641193-8
43.18 [1.700]	17	1-641193-7
40.64 [1.600]	16	1-641193-6
38.10 [1.500]	15	1-641193-5
35.56 [1.400]	14	1-641193-4
33.02 [1.300]	13	1-641193-3
30.48 [1.200]	12	1-641193-2
27.94 [1.100]	11	1-641193-1
25.40 [1.000]	10	1-641193-0
22.86 [.900]	9	-641193-9
20.32 [.800]	8	641193-8
17.78 [.700]	7	-641193-7
15.24 [.600]	6	641193-6
12.70 [.500]	5	641193-5
10.16 [.400]	4	-641193-4
7.62 [.300]	3	641193-3
5.08 [.200]	2	641193-2
DIM A	NO.OF POSN	ASSEMBLY

METRIC

THIS DRAWING IS A CONTROLLED DOCUMENT.

DIMENSIONS: mm [INCHES]	TOLERANCES UNLESS OTHERWISE SPECIFIED:	DIN S. HOOVER 20-DEC-2004	APVO D. ROSSI 20-DEC-2004	Tyco Electronics Corporation Harrisburg, Pa 17105-3608
0. PLC ±	1. PLC ±	2. PLC ±	3. PLC ±	4. PLC ±
ANGLES ±				
MATERIAL	FINISH	WEIGHT	SCALE	SHEET
			5:1	1 of 1

PRODUCT SPEC: 108-1050
 APPLICATION SPEC: 114-1019
 NAME: MTA .100 CONNECTOR ASSEMBLY 28 AWG, STANDARD
 DRAWING NO: 641193
 CUSTOMER DRAWING