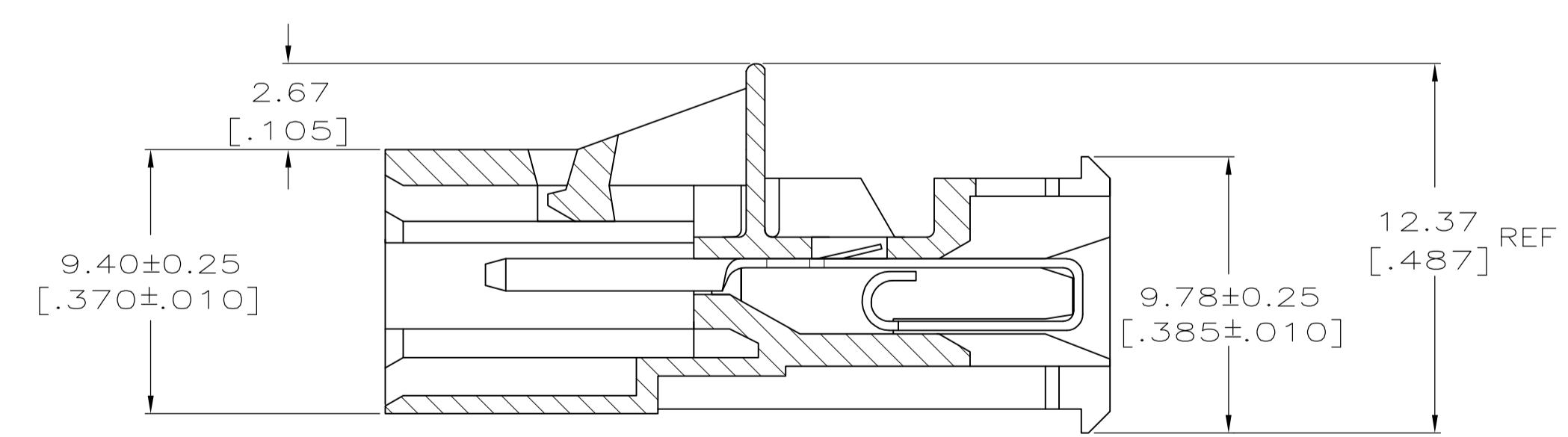
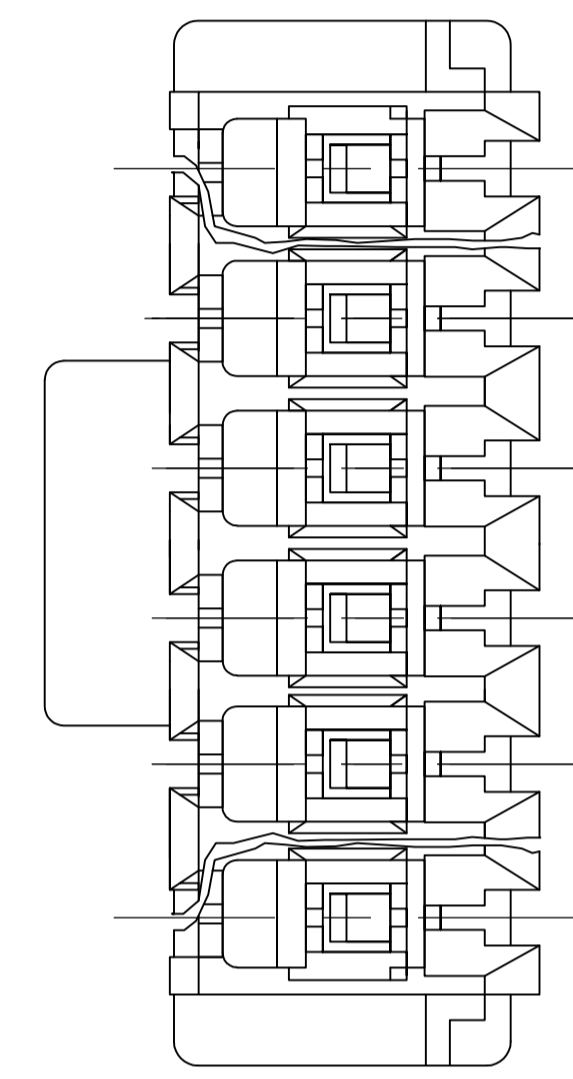
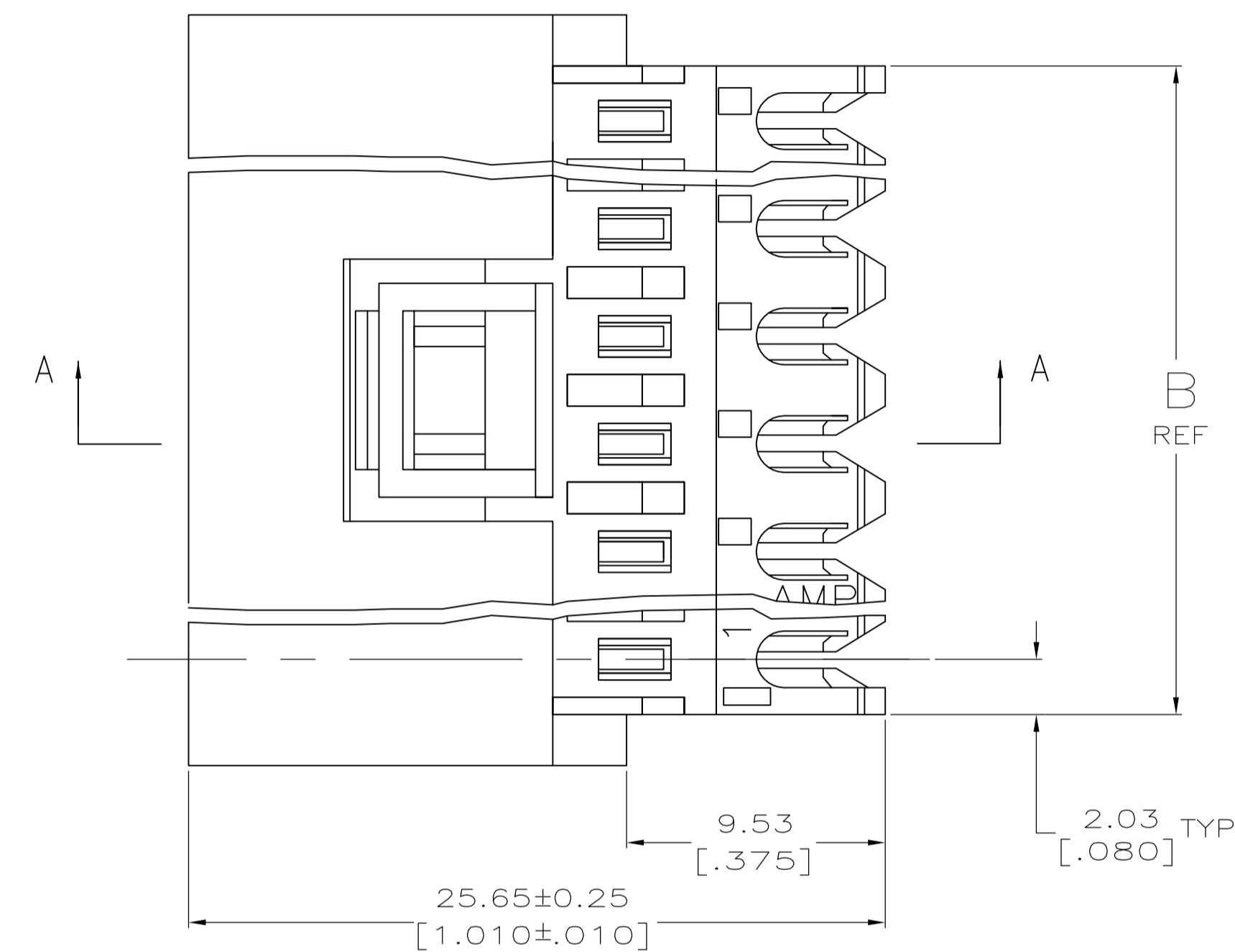
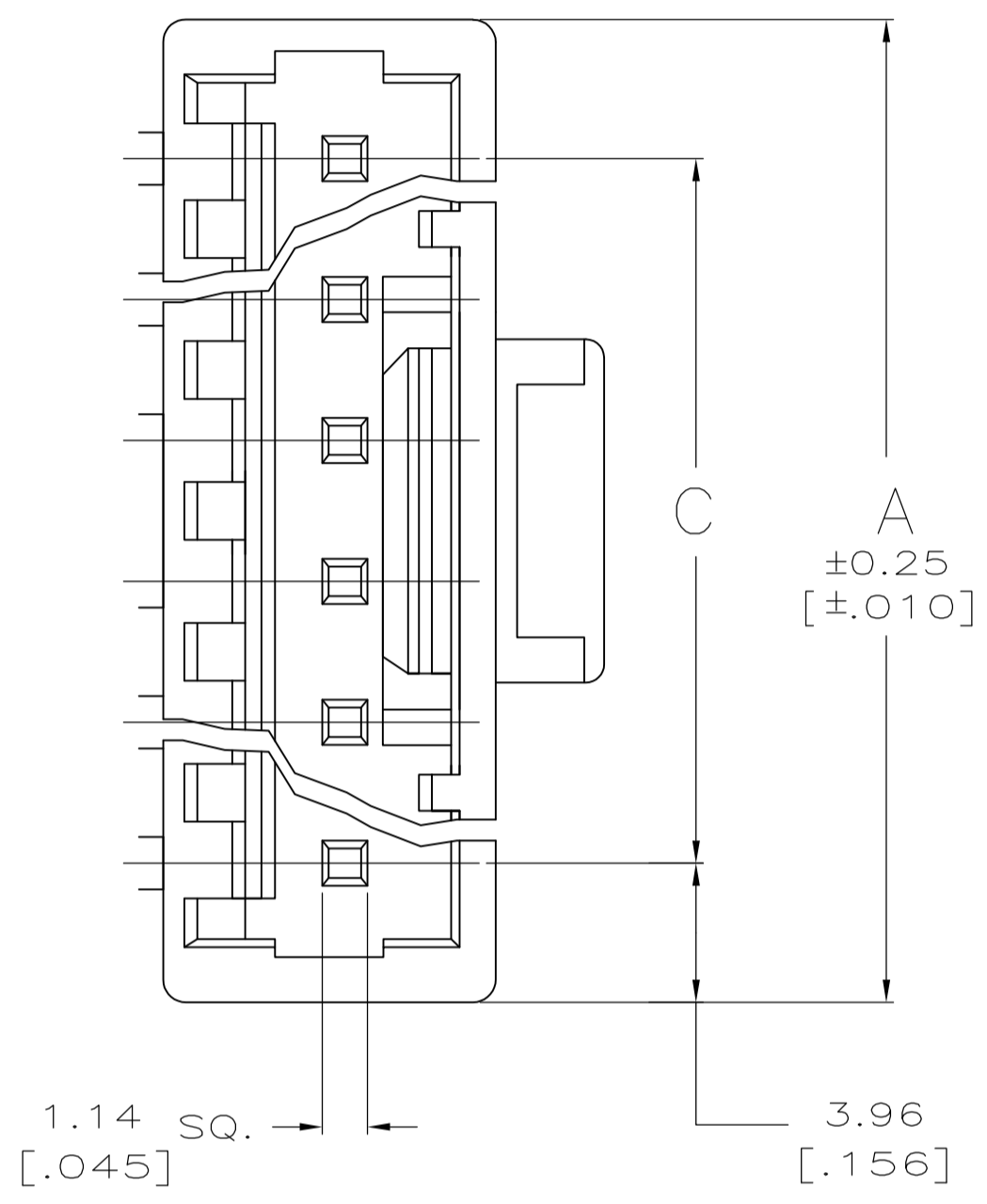


LOC		DIST		REVISIONS			
CM	0	REV	DATE	BY	CHK	APPV	
G		REVISED PER ECO-08-008919	15APR08	HMR	DB		
G1		REVISED PER ECO-09-021510	14SEP09	KK	AEG		

- MATERIAL: CONNECTOR- NYLON UL94V-2 (YELLOW).  
 CONTACTS- 0.30 [.012] THK COPPER ALLOY  
 (BRIGHT TIN-LEAD 0.00203 [.000080] MIN THK).  
 (MATTE TIN 0.00203 [.000080] MIN THK).
- CONTACTS ACCEPT #20 AWG SOLID, FUSED STRANDED OR STRANDED (7 STRANDS) WIRE WITH 2.41 [.095] MAX INSULATION DIA.
- BOW, IN ANY DIRECTION, NOT TO EXCEED 0.15 [.006] PER IN.
- HOUSING FEATURES: FEED-THRU.
- DIMENSIONS IN BRACKETS ARE IN INCHES.
- ⚠ OBSOLETE PARTS: OBSOLETE CIS STREAMLINING PER D.RENAUD/D.SINISI



SECTION A-A

FINISH	C	B	A	NO. OF CIRCUITS	PART NUMBER	
TIN	91.14 [3.588]	95.20 [3.748]	99.06 [3.900]	24	5-641523-4	
	55.47 [2.184]	59.54 [2.344]	63.40 [2.496]	15	4-641523-5	
	43.59 [1.716]	47.65 [1.876]	51.51 [2.028]	12	4-641523-2	
	31.70 [1.248]	35.76 [1.408]	39.62 [1.560]	9	3-641523-9	
	19.81 [.780]	23.88 [.940]	27.74 [1.092]	6	3-641523-6	
	11.89 [.468]	15.95 [.628]	19.81 [.780]	4	3-641523-4	
	7.92 [.312]	11.99 [.472]	15.85 [.624]	3	3-641523-3	
	3.96 [.156]	8.03 [.316]	11.89 [.468]	2	3-641523-2	
	TIN-LEAD	91.14 [3.588]	95.20 [3.748]	99.06 [3.900]	24	2-641523-4
		55.47 [2.184]	59.54 [2.344]	63.40 [2.496]	15	1-641523-5
43.59 [1.716]		47.65 [1.876]	51.51 [2.028]	12	1-641523-2	
31.70 [1.248]		35.76 [1.408]	39.62 [1.560]	9	1-641523-9	
19.81 [.780]		23.88 [.940]	27.74 [1.092]	6	1-641523-6	
11.89 [.468]		15.95 [.628]	19.81 [.780]	4	1-641523-4	
7.92 [.312]		11.99 [.472]	15.85 [.624]	3	1-641523-3	
3.96 [.156]		8.03 [.316]	11.89 [.468]	2	1-641523-2	
SUPERCEDED		91.14 [3.588]	95.20 [3.748]	99.06 [3.900]	24	4-641523-4
		55.47 [2.184]	59.54 [2.344]	63.40 [2.496]	15	4-641523-5
SUPERCEDED	43.59 [1.716]	47.65 [1.876]	51.51 [2.028]	12	4-641523-2	
	31.70 [1.248]	35.76 [1.408]	39.62 [1.560]	9	4-641523-9	
SUPERCEDED	19.81 [.780]	23.88 [.940]	27.74 [1.092]	6	4-641523-6	
	11.89 [.468]	15.95 [.628]	19.81 [.780]	4	4-641523-4	
SUPERCEDED	7.92 [.312]	11.99 [.472]	15.85 [.624]	3	4-641523-3	
	3.96 [.156]	8.03 [.316]	11.89 [.468]	2	4-641523-2	

THIS DRAWING IS A CONTROLLED DOCUMENT.

DIMENSIONS: mm [INCHES]

TOLERANCES UNLESS OTHERWISE SPECIFIED:

0 PLC	±	-
1 PLC	±	-
2 PLC	±	0.13 [.005]
3 PLC	±	-
4 PLC	±	-
ANGLES	±	-

MATERIAL: SEE NOTE 1

FINISH: SEE NOTE 1

WEIGHT: --

SCALE: 5:1

SHEET 1 OF 1

REV G1

THIS DRAWING IS A CONTROLLED DOCUMENT. DWN: K. SALMON 10-22-91. CHK: R. SWING 10-22-91. APPROV: --

Tyco Electronics Corporation, Harrisburg, PA 17105-3608

PRODUCT SPEC: MTA-156 POSTED CONNECTOR ASSEMBLY, 20 AWG

APPLICATION SPEC: --

SIZE: A1

CAGE CODE: 00779

DRAWING NO: 641523

CUSTOMER DRAWING