

THIS DRAWING IS UNPUBLISHED.

RELEASED FOR PUBLICATION

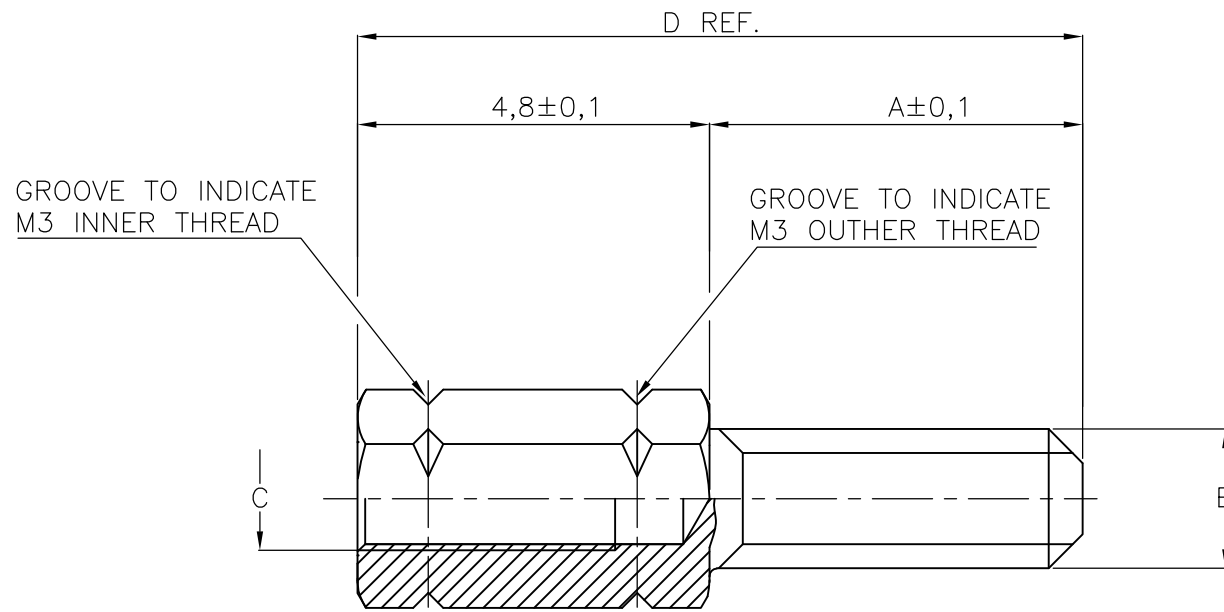
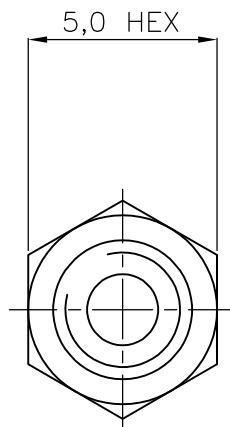
-. - .

© COPYRIGHT - BY TYCO ELECTRONICS CORPORATION.

ALL INTERNATIONAL RIGHTS RESERVED.

LOC	DIST
H	-

REVISIONS					
P	LTR	DESCRIPTION	DATE	DWN	APVD
	C	H-9720	21-04-92	S.M.	-
	D	EH-0054-92	07-12-92	D.K.	-
	J	ECR-09-000314	21-05-09	AEG	KMA
	J1	REVISED PER ECO-09-023313	12OCT09	KK	AEG



	DIM "D"	DIM "C"	DIM "B"	DIM "A"	FINISH	MATERIAL	PART NUMBER
$\triangle 1$ OBSOLETE	10,8	4-40 UNC	4-40 UNC	6,0	TINPLATED	BRASS	<del>3-829261-0</del>
$\triangle 1$ OBSOLETE	9,8	M3	4-40 UNC	5,0			<del>2-829261-8</del>
		4-40 UNC	M3	5,0			2-829261-6
		M3	M3	5,0			2-829261-4
		4-40 UNC	4-40 UNC	5,0			2-829261-2
$\triangle 1$ OBSOLETE	19,0	M3	4-40 UNC	14,2			<del>1-829261-8</del>
		4-40 UNC	M3	14,2			1-829261-6
		M3	M3	14,2			1-829261-4
		4-40 UNC	4-40 UNC	14,2			1-829261-2
	12,7	M3	4-40 UNC	7,9			829261-8
		4-40 UNC	M3	7,9			829261-6
		M3	M3	7,9			829261-4
		4-40 UNC	4-40 UNC	7,9	829261-2		

$\triangle 1$  OBSOLETE PARTS: OBSOLETE CIS STREAMLINING  
PER D.RENAUD/D.SINISI

THIS DRAWING IS A CONTROLLED DOCUMENT.		DWN D.KESSLER 02APR91	Tyco Electronics Corporation 's-Hertogenbosch, Nederland													
DIMENSIONS: mm		CHK C.V.TILBURG 23APR91	NAME SCREWLOCK, FEMALE HD-SERIES													
TOLERANCES UNLESS OTHERWISE SPECIFIED:		APVD L.V.SOEST 25APR91	PRODUCT SPEC													
<table border="0"> <tr><td>0 PLC</td><td>± -</td></tr> <tr><td>1 PLC</td><td>± 0,2</td></tr> <tr><td>2 PLC</td><td>± -</td></tr> <tr><td>3 PLC</td><td>± -</td></tr> <tr><td>4 PLC</td><td>± -</td></tr> <tr><td>ANGLES</td><td>±</td></tr> </table>		0 PLC	± -	1 PLC	± 0,2	2 PLC	± -	3 PLC	± -	4 PLC	± -	ANGLES	±	APPLICATION SPEC		RESTRICTED TO
0 PLC	± -															
1 PLC	± 0,2															
2 PLC	± -															
3 PLC	± -															
4 PLC	± -															
ANGLES	±															
MATERIAL		WEIGHT	SIZE A3	CAGE CODE 00779	DRAWING NO C-829261											
FINISH		CUSTOMER DRAWING		SCALE NTS	SHEET 1 OF 1											
				REV J1												