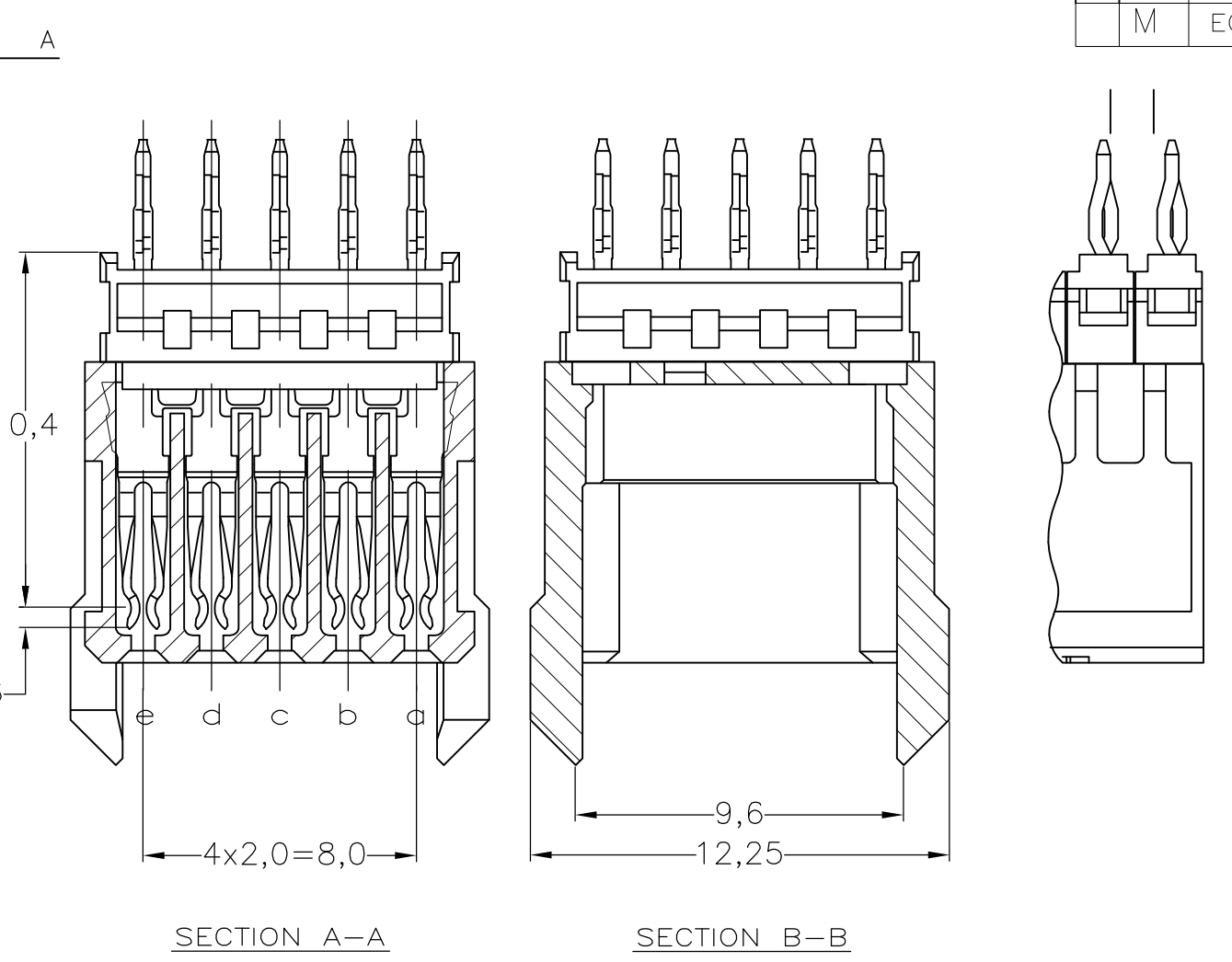
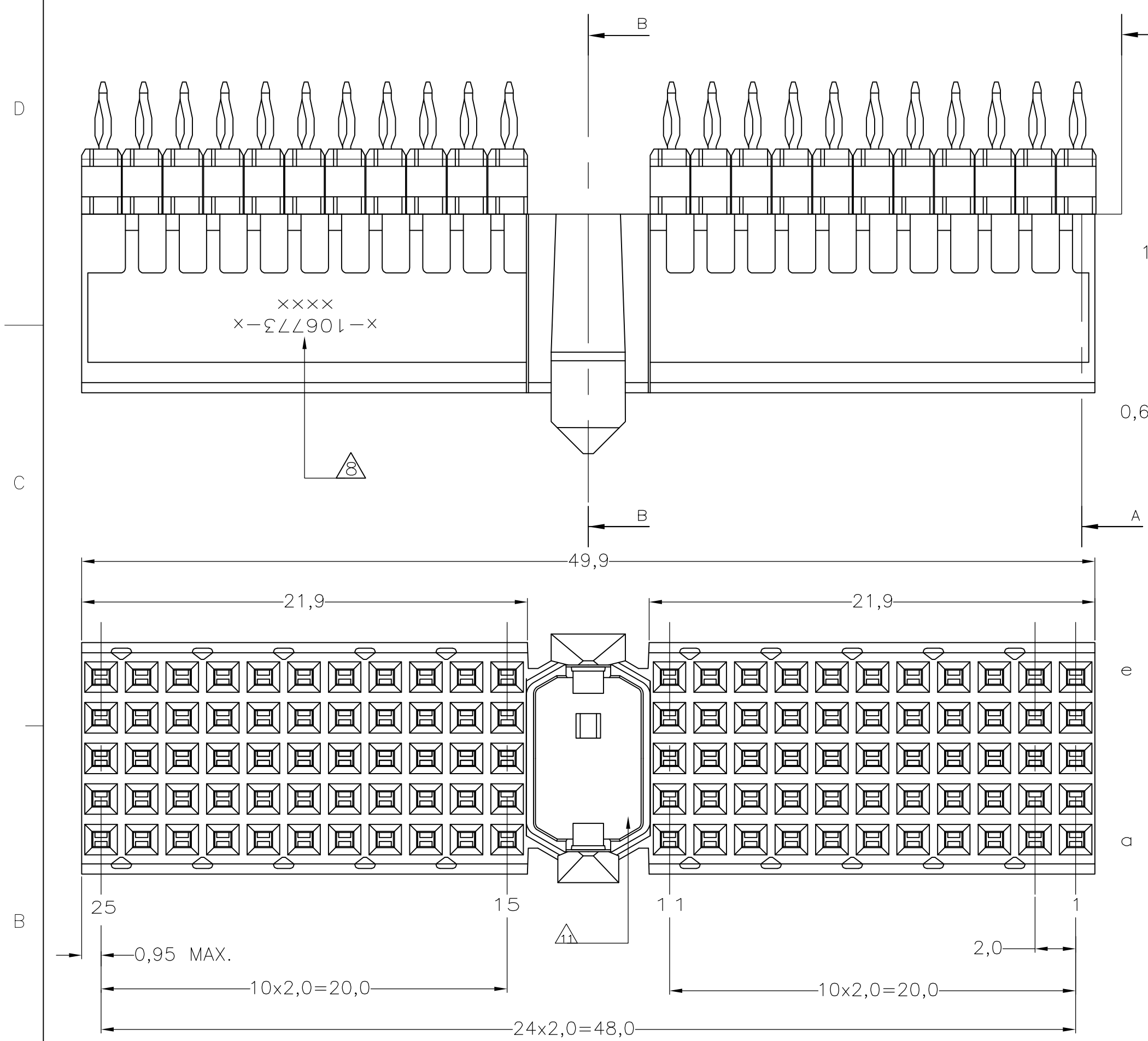
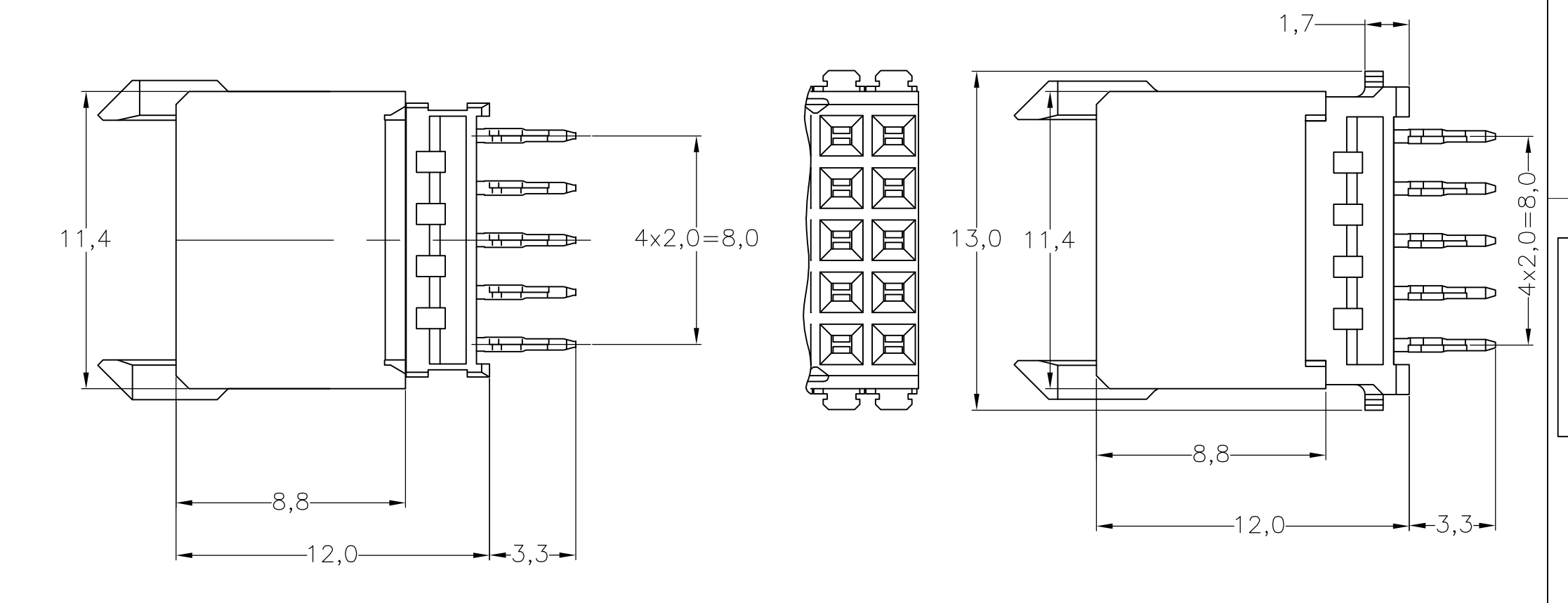


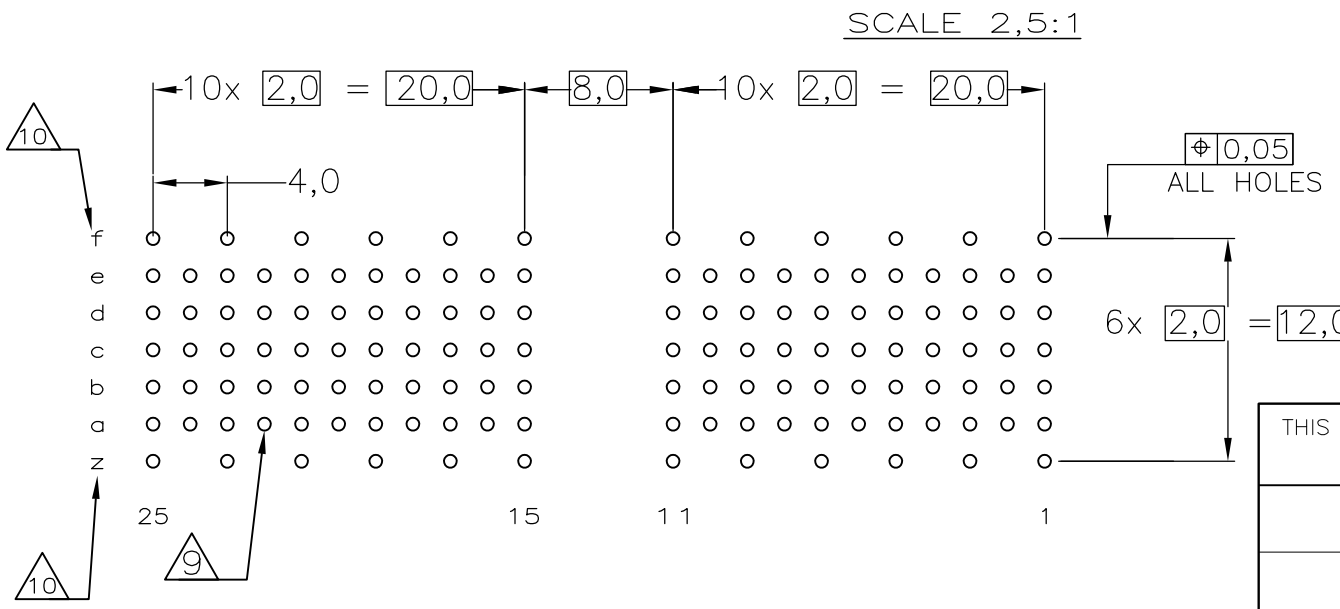
LOC	DIST	REVISIONS					
		P	LTR	DESCRIPTION	DATE	DWN	APVD
H	-	L3		REV PER ECO-10-001916	02MAR2010	JY	SY
		M		ECR-10-019054	15SEP10	DP	MQW



ALTERNATE FORM



- NOTES:
- 1 MATERIAL CONTACT: PHOSPHORBRONZE
MATERIAL HOUSING: GLASSFILLED POLYESTER
UL-RATING 94V0(GRAY)
 - 2 GENERAL PLATING SPECIFICATION: UNDERPLATING (ENTIRE CONTACT): 1,27µm
NICKEL MIN. AND ACTION PIN: 0,5µm TIN-LEAD MIN.
FOR PLATING OF MATING SURFACES SEE APPLICABLE SPECIFICATION REFERENCE FOR EACH DASH NUMBER.
 - 3 CONFORMS TO ALL TESTING ACCORDING IEC 61076-4-101 PERFORMANCE LEVEL 2.
 - 4 CONFORMS TO ALL TESTING ACCORDING IEC 61076-4-101 PERFORMANCE LEVEL 1.
 - 5 CONNECTOR TESTED AND QUALIFIED AGAINST TELCORDIA GR-1217-CORE QUALITY LEVEL III, CENTRAL OFFICE APPLICATIONS.
 - 6 CONNECTOR TESTED AND QUALIFIED AGAINST TELCORDIA GR-1217-CORE QUALITY LEVEL III, UNCONTROLLED ENVIRONMENT APPLICATIONS.
 - 7 CONNECTOR LUBRICATED WITH TELCORDIA APPROVED LUBRICANT.
 - 8 CONNECTOR PRINTED WITH PARTNUMBER AND DATECODE.
 - 9 PLATED-THROUGH HOLES AT 2x2mm SQUARE GRID (110 HOLES).
 - 10 HOLES IN ROW f AND z FOR POSSIBLE FUTURE USE OF GROUND RETURN SHIELD. (SHIELDS NOT YET TOOLED)
 - 11 AREA RESERVED FOR KEYING PART (BASIC P.N.:100526).



- 12 OBSOLETE PARTS: OBSOLETE CIS STREAMLINING PER D.RENAUD/D.SINISI
- 13 0.76µm MIN GOLG PLATING AT MATING SURFACES.

FINISH	MATERIAL	PARTNUMBER
2 3 13	1	3-106773-0
2 6 7	1	1-106773-9
2 5 7	1	106773-9
2 4	1	106773-4
2 3	1	106773-1

THIS DRAWING IS A CONTROLLED DOCUMENT.

DWN	L.V.D.HEIJDEN	14APR97	Tyco Electronics Corporation Harrisbur, PA 17105-3608	
CHK	D. TRUREN	14APR97		
APVD	F.V.KONINGSBRUGGE	-		
PRODUCT SPEC				
APPLICATION SPEC	108-19082		NAME	Z-PACK 2MM HM TYPE A 110 POS. VERTICAL FEMALE CONNECTOR ASSEMBLY
WEIGHT	114-19029		SIZE	A2
CUSTOMER DRAWING			CAGE CODE	00779
			DRAWING NO	106773
			RESTRICTED TO	-
			SCALE	NTS
			SHEET	1 of 1
			REV	M