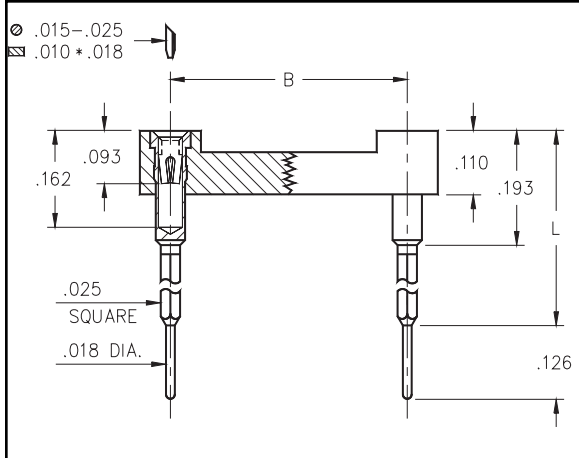




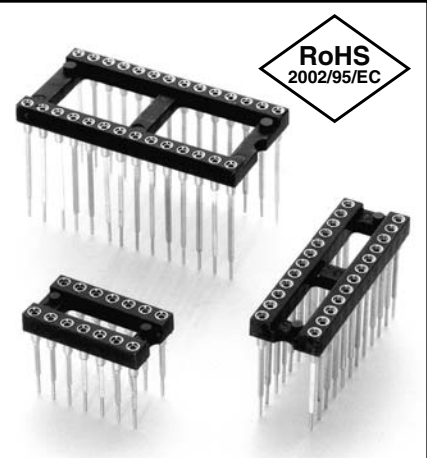
DUAL-IN-LINE SOCKETS

Pluggable Wrapost Open Frame

Series 126



- Combines one through three level wrapost with pluggable solder tails.
- Suitable for use as an interconnect socket with intermediate wire wrapped connections.
- Hi-Rel, 4-finger BeCu #30 contact is rated at 3 amps. See page 218 for details.
- Series 126 use MM #2601, #2602 & #2603 pins. See page 167 for details.
- Insulators are high temperature thermoplastic.



Total number of pins				Quantity per tube	Ordering Information <i>For Electrical, Mechanical & Environmental Data, See pg. 4</i> XX=Plating Code See Below			
	A	B	C		L = .425 (1 level = .232)	L = .543 (2 level = .350)	L = .661 (3 level = .469)	
	10	0.5	0.2		0.3	40	126-XX-210-41-001000	126-XX-210-41-002000
4	0.2	0.3	0.4	102	126-XX-304-41-001000	126-XX-304-41-002000	126-XX-304-41-003000	
6	0.3	0.3	0.4	67	126-XX-306-41-001000	126-XX-306-41-002000	126-XX-306-41-003000	
8	0.4	0.3	0.4	50	126-XX-308-41-001000	126-XX-308-41-002000	126-XX-308-41-003000	
10	0.5	0.3	0.4	40	126-XX-310-41-001000	126-XX-310-41-002000	126-XX-310-41-003000	
14	0.7	0.3	0.4	28	126-XX-314-41-001000	126-XX-314-41-002000	126-XX-314-41-003000	
16	0.8	0.3	0.4	25	126-XX-316-41-001000	126-XX-316-41-002000	126-XX-316-41-003000	
18	0.9	0.3	0.4	22	126-XX-318-41-001000	126-XX-318-41-002000	126-XX-318-41-003000	
20	1.0	0.3	0.4	20	126-XX-320-41-001000	126-XX-320-41-002000	126-XX-320-41-003000	
22	1.1	0.3	0.4	18	126-XX-322-41-001000	126-XX-322-41-002000	126-XX-322-41-003000	
24	1.2	0.3	0.4	16	126-XX-324-41-001000	126-XX-324-41-002000	126-XX-324-41-003000	
28	1.4	0.3	0.4	14	126-XX-328-41-001000	126-XX-328-41-002000	126-XX-328-41-003000	
20	1.0	0.4	0.5	20	126-XX-420-41-001000	126-XX-420-41-002000	126-XX-420-41-003000	
22	1.1	0.4	0.5	18	126-XX-422-41-001000	126-XX-422-41-002000	126-XX-422-41-003000	
24	1.2	0.4	0.5	16	126-XX-424-41-001000	126-XX-424-41-002000	126-XX-424-41-003000	
28	1.4	0.4	0.5	14	126-XX-428-41-001000	126-XX-428-41-002000	126-XX-428-41-003000	
32	1.6	0.4	0.5	12	126-XX-432-41-001000	126-XX-432-41-002000	126-XX-432-41-003000	
24	1.2	0.6	0.7	16	126-XX-624-41-001000	126-XX-624-41-002000	126-XX-624-41-003000	
28	1.4	0.6	0.7	14	126-XX-628-41-001000	126-XX-628-41-002000	126-XX-628-41-003000	
32	1.6	0.6	0.7	12	126-XX-632-41-001000	126-XX-632-41-002000	126-XX-632-41-003000	
36	1.8	0.6	0.7	11	126-XX-636-41-001000	126-XX-636-41-002000	126-XX-636-41-003000	
40	2.0	0.6	0.7	10	126-XX-640-41-001000	126-XX-640-41-002000	126-XX-640-41-003000	
42	2.1	0.6	0.7	9	126-XX-642-41-001000	126-XX-642-41-002000	126-XX-642-41-003000	
48	2.4	0.6	0.7	8	126-XX-648-41-001000	126-XX-648-41-002000	126-XX-648-41-003000	
50	2.5	0.6	0.7	8	126-XX-650-41-001000	126-XX-650-41-002000	126-XX-650-41-003000	
52	2.6	0.6	0.7	7	126-XX-652-41-001000	126-XX-652-41-002000	126-XX-652-41-003000	
50	2.5	0.9	1.0	8	126-XX-950-41-001000	126-XX-950-41-002000	126-XX-950-41-003000	
52	2.6	0.9	1.0	7	126-XX-952-41-001000	126-XX-952-41-002000	126-XX-952-41-003000	
64	3.2	0.9	1.0	6	126-XX-964-41-001000	126-XX-964-41-002000	126-XX-964-41-003000	
SPECIFY PLATING CODE XX=						93	43 ◇	
Sleeve (Pin)						200µ" Sn/Pb	200µ" Sn	For RoHS compliance select ◇ plating code.
Contact (Clip)						30µ" Au	30µ" Au	