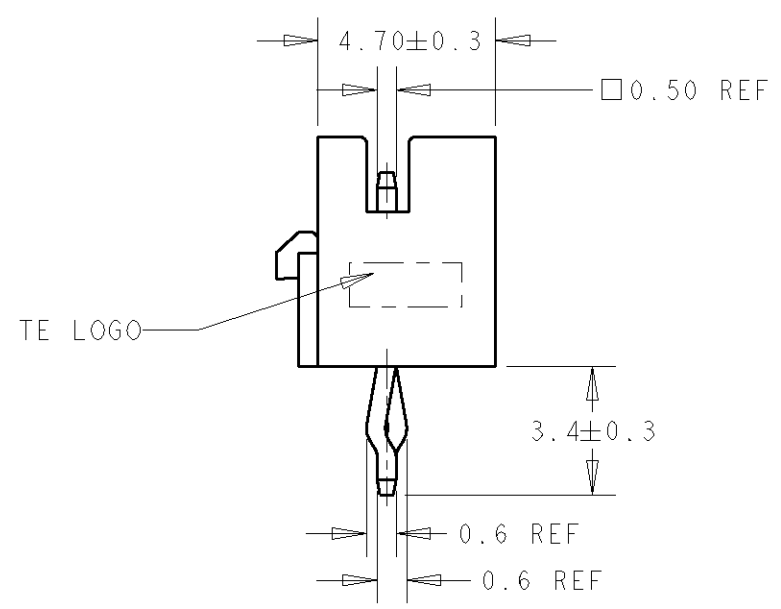
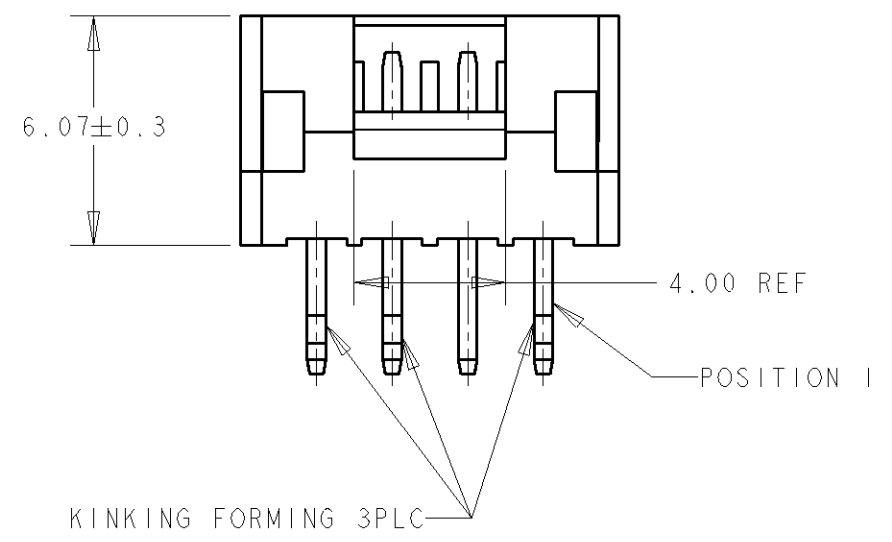
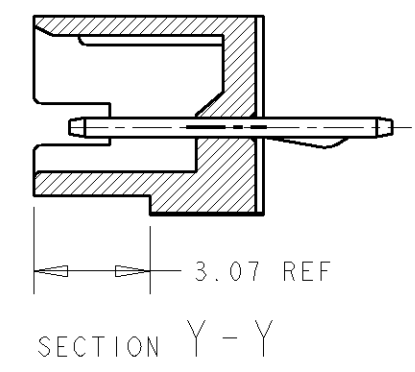
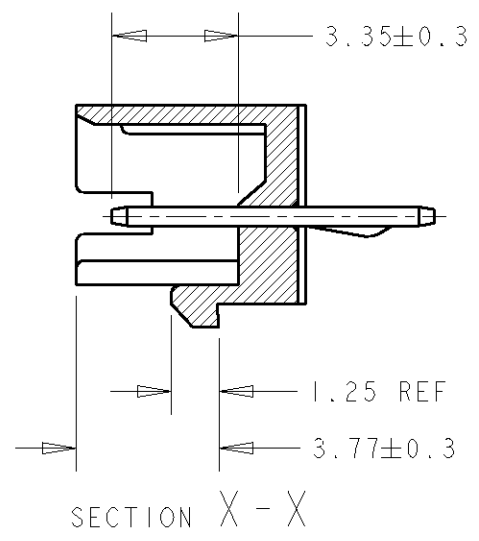
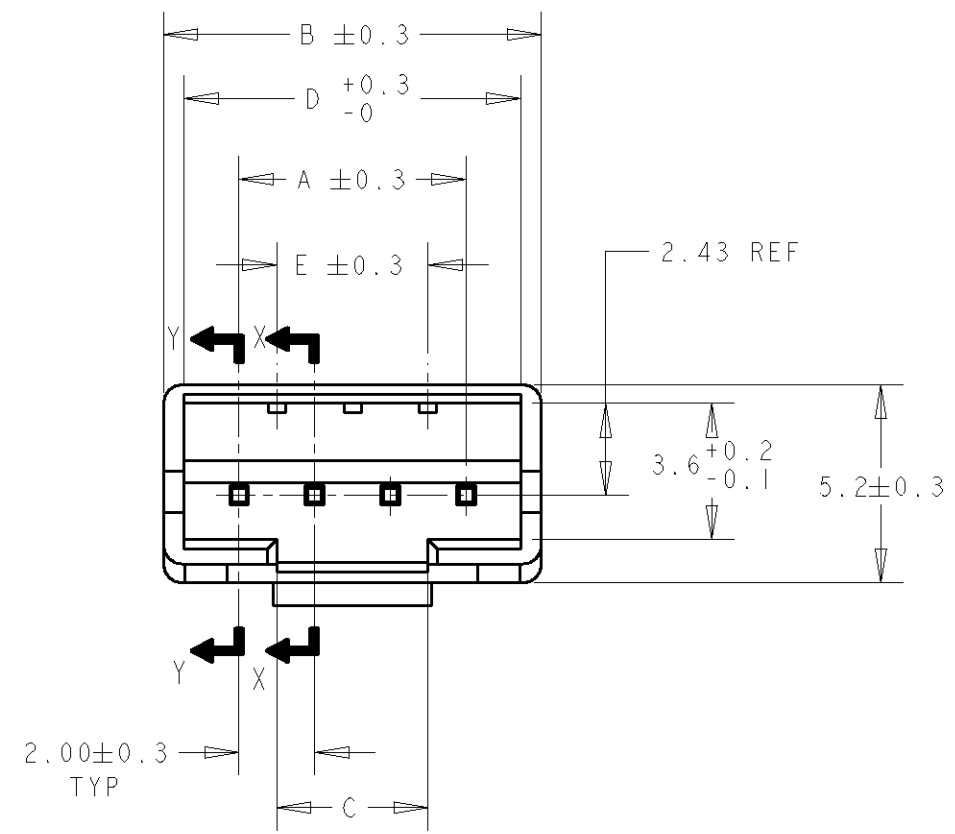


THIS DRAWING IS UNPUBLISHED. RELEASED FOR PUBLICATION .19
 © COPYRIGHT 19 BY AMP INCORPORATED. ALL RIGHTS RESERVED.

LOC	DIST	REVISIONS					
		P	LTR	DESCRIPTION	DATE	DWN	APVD
DY	-	C		REVISED ECR-08-009015	21APR08	LYM	LSF



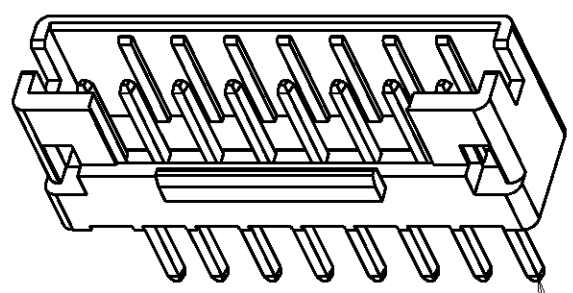
- NOTE:
- 1 MATERIAL: THERMOPLASTIC, UL 94V-0
 - 2 POST CONTACT: COPPER ALLOY
 - 3 FINISH: BRIGHT TIN OVER NICKEL UNDERPLATE ALL OVER
 - 4 SEE FIGURE 1 FOR KINK 'FOOTPRINT'
 - 5 ⊕ KINK DIRECTION OPPOSITE FROM ⊙

COLOUR	E	D	C	B	A	POS	PART NUMBER
	BLACK	28.0	33.0	28.0±0.2	34.0	30.00	16P
26.0		31.0	26.0±0.2	32.0	28.00	15P	3-1735446-5
24.0		29.0	24.0±0.2	30.0	26.00	14P	3-1735446-4
22.0		27.0	22.0±0.2	28.0	24.00	13P	3-1735446-3
20.0		25.0	20.0±0.2	26.0	22.00	12P	3-1735446-2
18.0		23.0	18.0±0.2	24.0	20.00	11P	3-1735446-1
16.0		21.0	16.0±0.2	22.0	18.00	10P	3-1735446-0
14.0		19.0	14.0±0.2	20.0	16.00	9P	2-1735446-9
12.0		17.0	12.0±0.2	18.0	14.00	8P	2-1735446-8
10.0		15.0	10.0±0.2	16.0	12.00	7P	2-1735446-7
8.0		13.0	8.0±0.2	14.0	10.00	6P	2-1735446-6
6.0		11.0	6.0±0.2	12.0	8.00	5P	2-1735446-5
4.0	9.0	4.0±0.2	10.0	6.00	4P	2-1735446-4	
2.0	7.0	2.0 ^{+0.2} _{-0.08}	8.0	4.00	3P	2-1735446-3	
NATURAL	28.0	33.0	28.0±0.2	34.0	30.00	16P	1-1735446-6
	26.0	31.0	26.0±0.2	32.0	28.00	15P	1-1735446-5
	24.0	29.0	24.0±0.2	30.0	26.00	14P	1-1735446-4
	22.0	27.0	22.0±0.2	28.0	24.00	13P	1-1735446-3
	20.0	25.0	20.0±0.2	26.0	22.00	12P	1-1735446-2
	18.0	23.0	18.0±0.2	24.0	20.00	11P	1-1735446-1
	16.0	21.0	16.0±0.2	22.0	18.00	10P	1-1735446-0
	14.0	19.0	14.0±0.2	20.0	16.00	9P	1735446-9
	12.0	17.0	12.0±0.2	18.0	14.00	8P	1735446-8
	10.0	15.0	10.0±0.2	16.0	12.00	7P	1735446-7
	8.0	13.0	8.0±0.2	14.0	10.00	6P	1735446-6
	6.0	11.0	6.0±0.2	12.0	8.00	5P	1735446-5
4.0	9.0	4.0±0.2	10.0	6.00	4P	1735446-4	
2.0	7.0	2.0 ^{+0.2} _{-0.08}	8.0	4.00	3P	1735446-3	

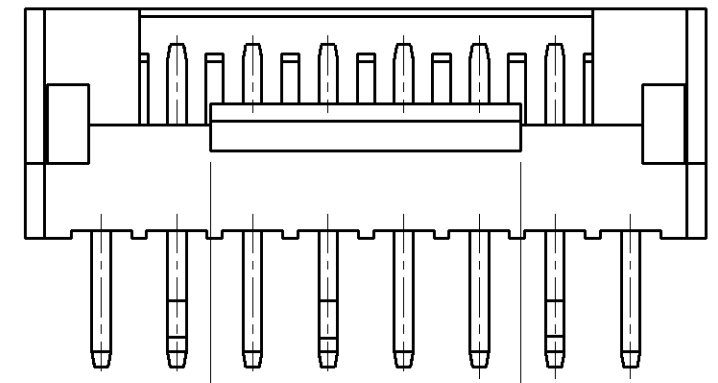
THIS DRAWING IS A CONTROLLED DOCUMENT FOR AMP INCORPORATED. IT IS SUBJECT TO CHANGE AND THE CONTROLLING ENGINEERING ORGANIZATION SHOULD BE CONTACTED FOR THE LATEST REVISION.		DWN 14 NOV 2006 WYLEE	Tyco Electronics Corporation Singapore
DIMENSIONS: mm		CHK 11 APR 2007 KT GOH	
TOLERANCES UNLESS OTHERWISE SPECIFIED: 0 PLC ± 1 PLC ± 2 PLC ± 3 PLC ± 4 PLC ± ANGLES ±		APVD 1 JUN 2007 SF L FONG	NAME 2.0mm PITCH HPI POST HEADER WITH LOCK, VERTICAL
MATERIAL 1 2		PRODUCT SPEC 108-51087	
FINISH 3		APPLICATION SPEC -	SIZE A3 CAGE CODE 00779 DRAWING NO C-1735446
WEIGHT -		CUSTOMER DRAWING	SCALE 5:1 SHEET 1 OF 2 REV C

THIS DRAWING IS UNPUBLISHED. RELEASED FOR PUBLICATION .19
 © COPYRIGHT 19 BY AMP INCORPORATED. ALL RIGHTS RESERVED.

LOC	DIST	REVISIONS			
P	LTR	DESCRIPTION	DATE	DWN	APVD
DY	-	SEE SHEET 1			

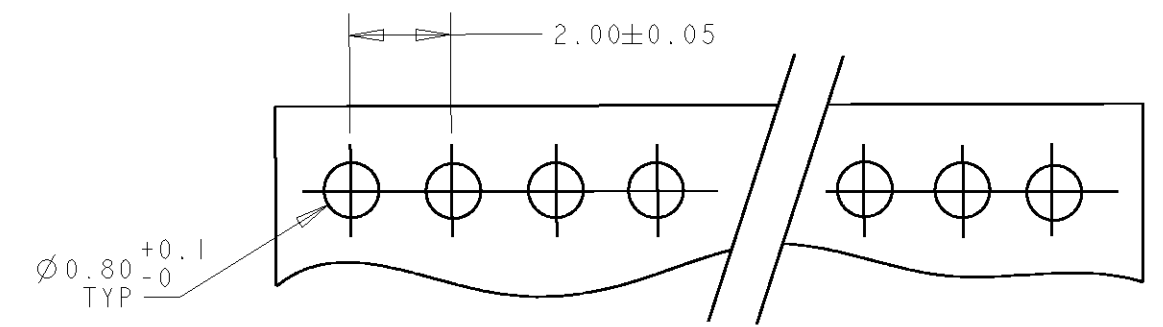


POSITION 1

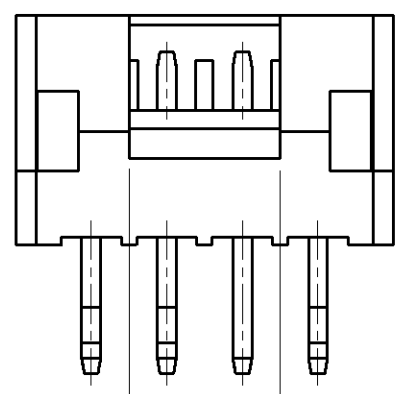


8.20±0.3

7~16P

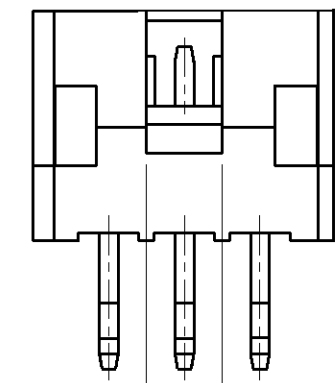


RECOMMENDED PCB LAYOUT
 (NON ACCUMULATIVE TOLARANCE)
 (PCB THK = 1.0~1.6mm)



4.00±0.3

4~6P



2.00±0.3

3P

FIG.1 5

3P	●	⊕	●													
4P	●	○	⊕	●												
5P	●	○	⊕	○	●											
6P	●	○	○	⊕	○	●										
7P	○	●	○	⊕	○	●	○									
8P	○	●	○	○	⊕	○	●	○								
9P	○	●	○	○	⊕	○	○	●	○							
10P	○	●	○	○	○	⊕	○	○	●	○						
11P	○	●	○	○	○	⊕	○	○	○	●	○					
12P	○	●	○	○	○	○	⊕	○	○	○	●	○				
13P	○	●	○	○	○	○	⊕	○	○	○	○	●	○			
14P	○	●	○	○	○	○	○	⊕	○	○	○	○	●	○		
15P	○	●	○	○	○	○	○	○	⊕	○	○	○	○	●	○	
16P	○	●	○	○	○	○	○	○	○	⊕	○	○	○	○	●	
POS	1	2	3	4	5	6	7	8	9	10	11	12	13	14	15	16

THIS DRAWING IS A CONTROLLED DOCUMENT FOR AMP INCORPORATED. IT IS SUBJECT TO CHANGE AND THE CONTROLLING ENGINEERING ORGANIZATION SHOULD BE CONTACTED FOR THE LATEST REVISION.		DWN WYLEE 14 NOV 2006	Tyco Electronics Corporation Singapore	
DIMENSIONS: mm		CHK KT GOH 11 APR 2007	NAME 2.0mm PITCH HPI POST HEADER WITH LOCK, VERTICAL	
TOLERANCES UNLESS OTHERWISE SPECIFIED: 0 PLC ± 1 PLC ± 2 PLC ± 3 PLC ± 4 PLC ± ANGLES ±		APVD SEIFONG 1 JUN 2007	DRAWING NO C-1735446	
MATERIAL SEE SHEET 1		PRODUCT SPEC 108-51087	SIZE A3	CAGE CODE 00779
FINISH SEE SHEET 1		APPLICATION SPEC -	SCALE 5:1	
		WEIGHT -	SHEET 2 OF 2	
		CUSTOMER DRAWING	REV C	