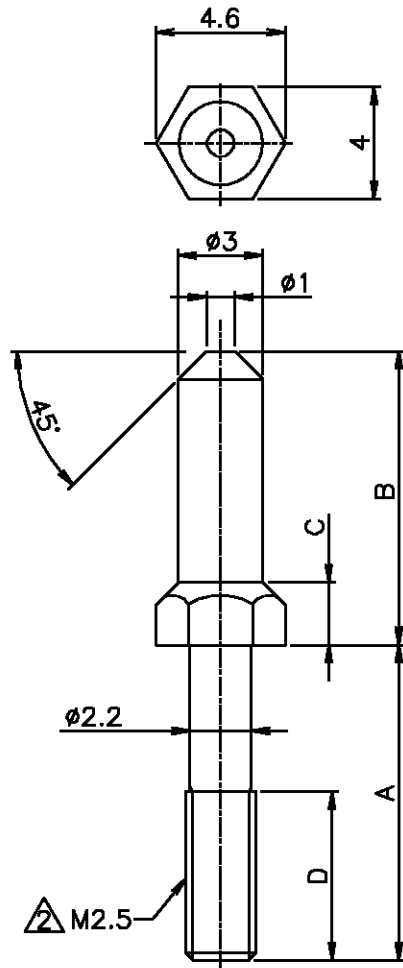


LOG	DIST	REVISIONS					
J		P	LTR	DESCRIPTION	DATE	DWN	APVD
		E		REVISED&REDAWN FJ00-2170-02	18OCT'02	S.A	H.S



注記

1. 材料及び仕上げ 黄銅、ニッケルメッキ
- △ ねじ部先端を除き、ゆるみ止め材料塗布 (ロックタイト DRI-LOC 202, 203 相当)

NOTE

1. MATERIAL AND FINISH BRASS, Ni PLATE
- △ THREADLOCKING MATERIAL APPLIED, EXCEPT FOR THREAD TIP AREA. (EQUIVALENT LOCTITE DRI-LOC 202, 203)

△ M2.5

MAKE FROM -1	6	2.22	10.45	11.2	2-177734-1 △
/	4.6	2.22	10.45	5.6	177734-5
/	6	3.02	11.25	10.4	177734-4
/	6	3.02	11.25	7	177734-3
/	6	2.22	10.45	7.8	177734-2
/	6	2.22	10.45	11.2	177734-1
REMARKS	D	C	B	A	P/N

THIS DRAWING IS UNPUBLISHED. 1993 BY TYCO ELECTRONICS CORPORATION. ALL RIGHTS RESERVED.

DIMENSIONS: MM	DWN	S.ABE	16OCT02	MATERIAL	SEE NOTE	FINISH	SEE NOTE
	CHK	H.SHIRAI	16OCT02	Tyco Electronics AMP K.K. Kawasaki, Japan			
TOLERANCES UNLESS OTHERWISE SPECIFIED:	APVD	H.SHIRAI	16OCT02				
0 PLC ± 0.25	PRODUCT SPEC			NAME			
1 PLC ± 0.25				GUIDE PIN FOR AMP DOCKING CONNECTOR			
2 PLC ± 0.25	APPLICATION SPEC			SIZE	CAGE CODE	DRAWING NO	RESTRICTED TO
3 PLC ±				A4	00779	177734	-
4 PLC ±	WEIGHT			CUSTOMER DRAWING			
ANGLES ± 3				SCALE	4:1	SHEET	1 OF 1

