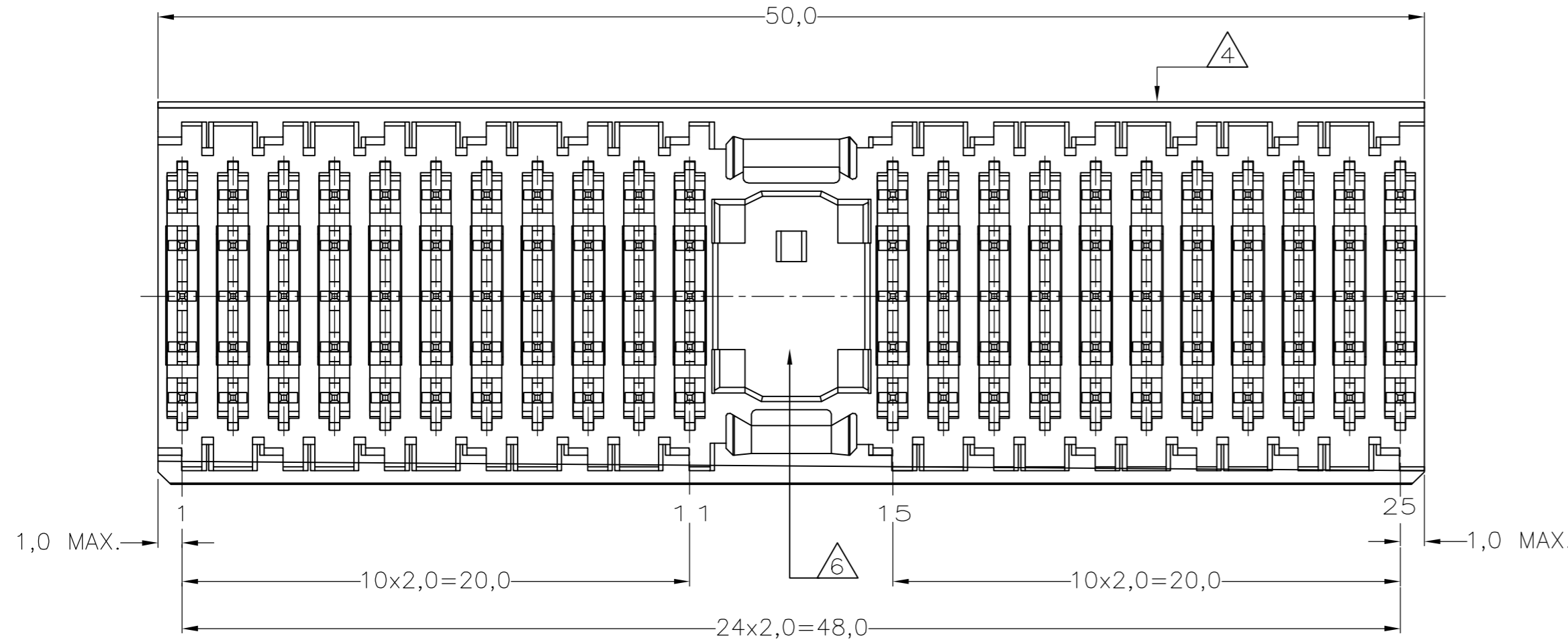
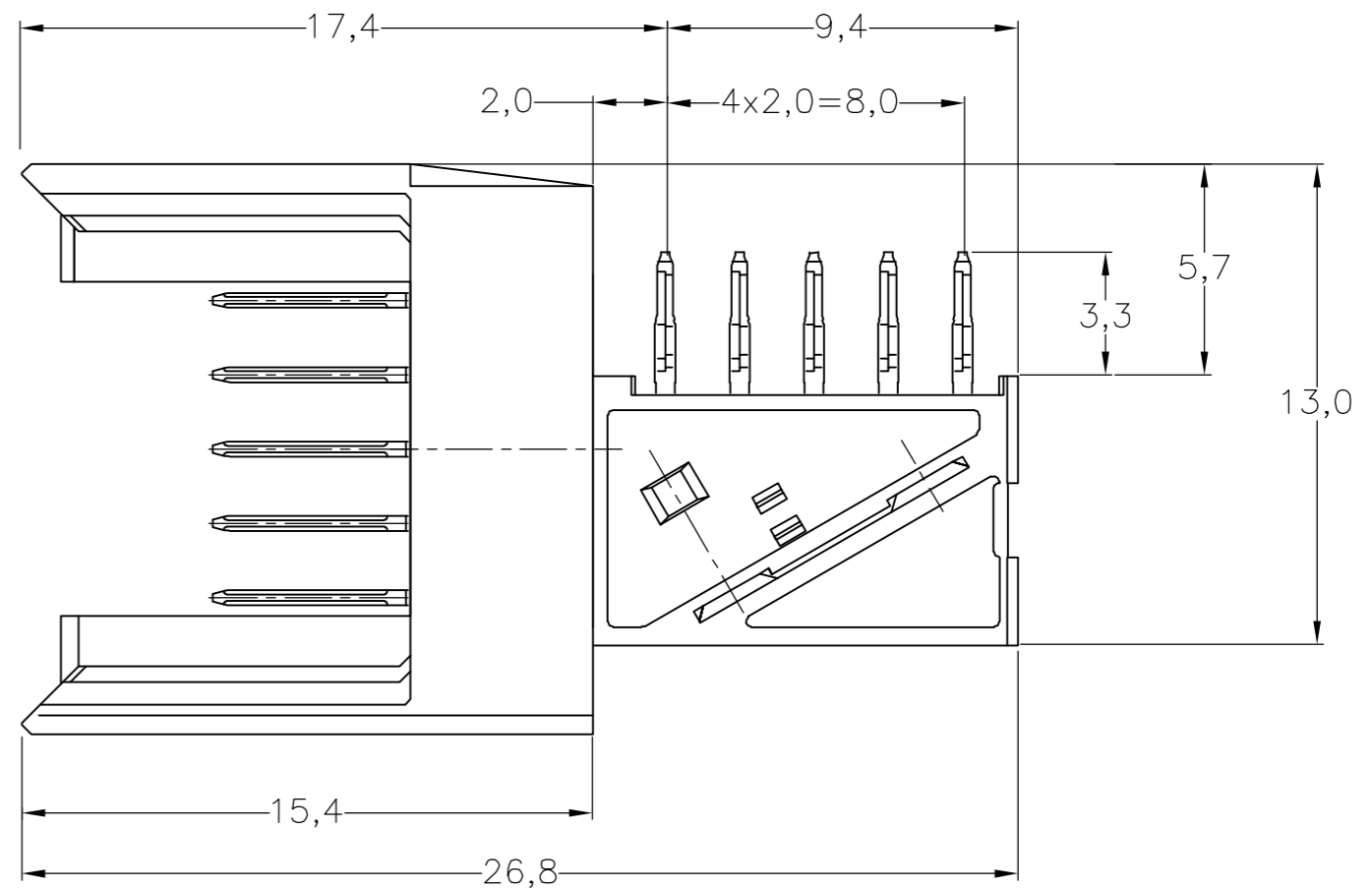
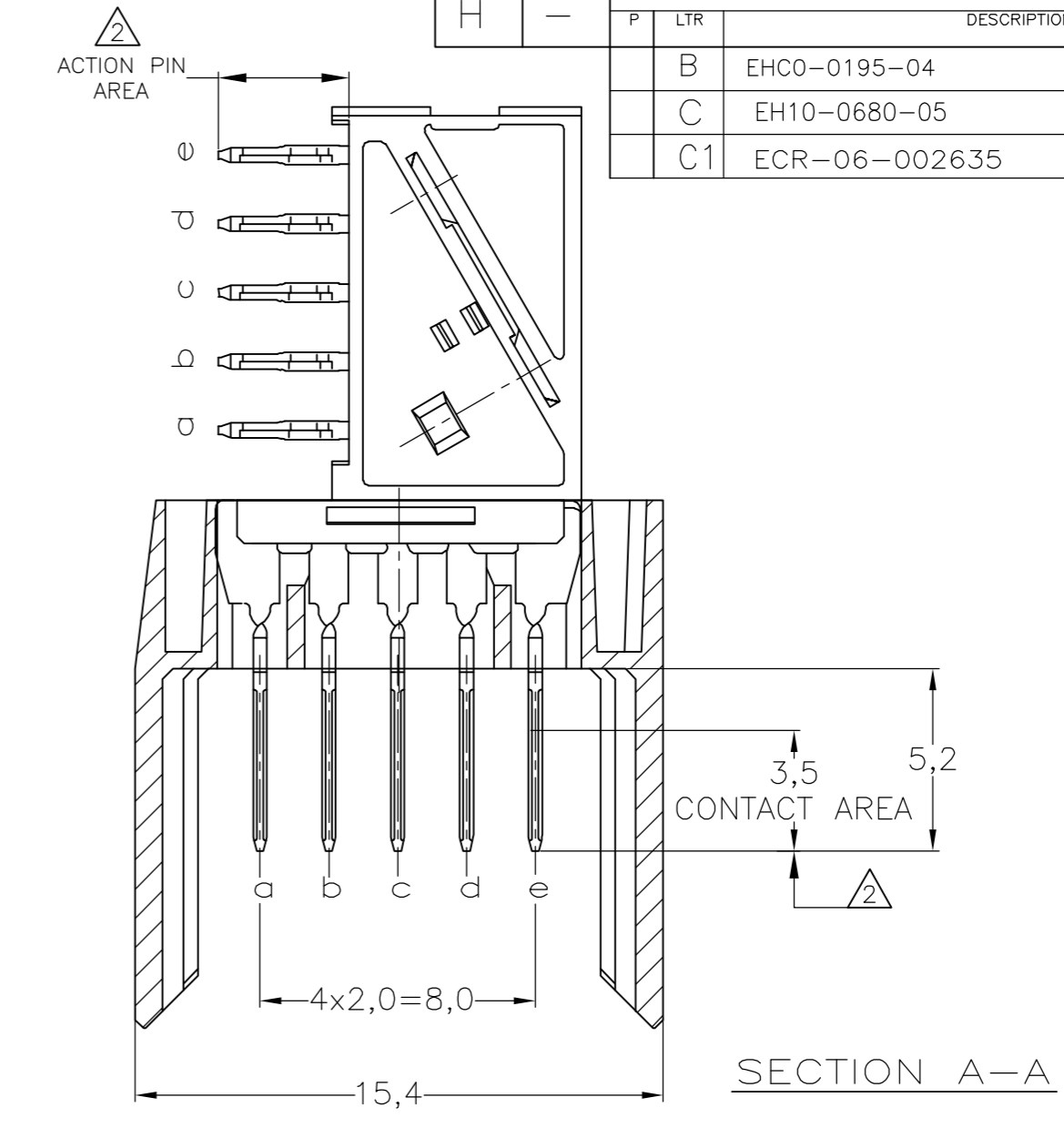
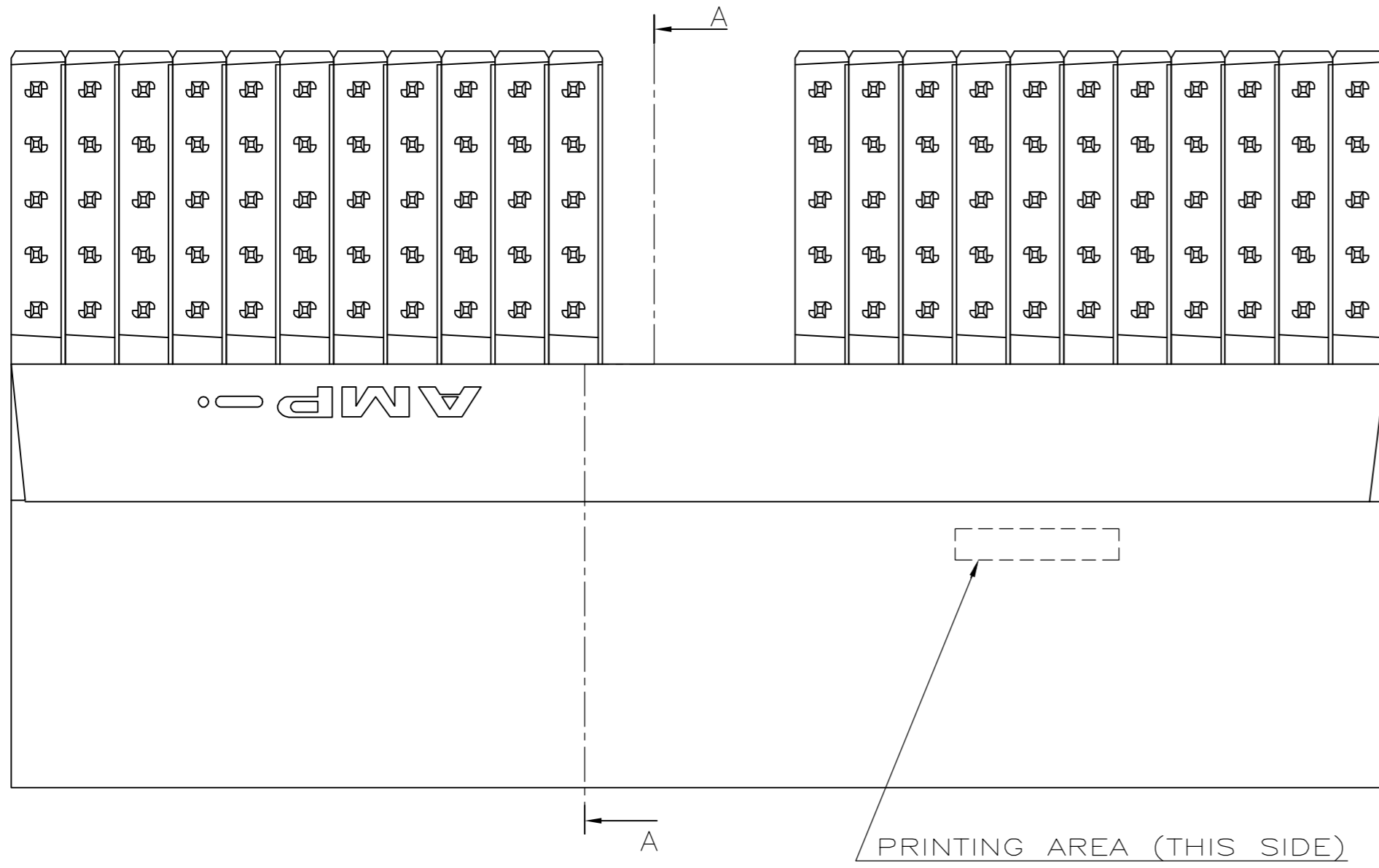
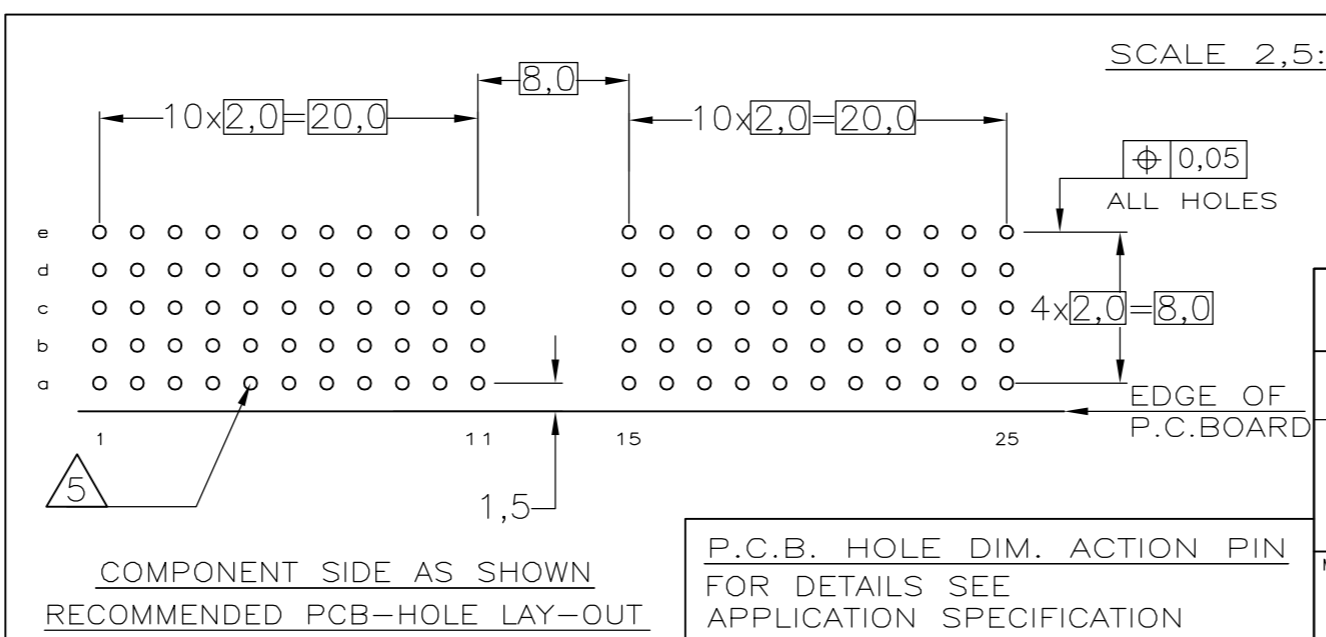


THIS DRAWING IS UNPUBLISHED. RELEASED FOR PUBLICATION
 © COPYRIGHT BY TYCO ELECTRONICS CORPORATION. ALL RIGHTS RESERVED.

REVISONS		DATE	DWN	APVD
P	LTR	DESCRIPTION		
B		EHC0-0195-04	06-07-04	DvdB BM
C		EH10-0680-05	06-06-05	BSV BM
C1		ECR-06-002635	07-02-06	BSV BM



- NOTES:
- 1 MATERIAL CONTACT; PHOSPHORBRONZE
 - 2 MATERIAL HOUSING; GLASSFILLED POLYESTER, UL94-V0 (GRAY)
 - 3 GENERAL PLATING SPECIFICATION: UNDERPLATING (ENTIRE CONTACT): 1,27µm NICKEL MIN. AND ACTION PIN: 0,5µm TIN-LEAD MIN. FOR PLATING OF MATING SURFACES SEE APPLICABLE SPECIFICATION REFERENCE FOR EACH DASH NUMBER.
 - 4 CONFORMS TO ALL TESTING ACCORDING IEC 61076-4-101 PERFORMANCE LEVEL 2.
 - 5 CONNECTOR PRINTED WITH PARTNUMBER AND DATECODE
 - 6 PLATED-THROUGH HOLES AT 2x2mm SQUARE GRID. 110 HOLES.
 - 7 AREA RESERVED FOR KEYING PART (BASIC P.N. 100525)



THIS DRAWING IS A CONTROLLED DOCUMENT.

DIMENSIONS: MM	TOLERANCES UNLESS OTHERWISE SPECIFIED:
0 PLC ± -	1 PLC ± -
1 PLC ± -	2 PLC ± -
2 PLC ± -	3 PLC ± -
3 PLC ± -	4 PLC ± -
4 PLC ± -	ANGLES ± -
MATERIAL	FINISH

FINISH	MATERIAL	188749-1	PARTNUMBER
		Tyco Electronics Corporation s-Hertogenbosch, Netherlands,	
Z-PACK 2MM HM TYPE A 110 POS. MALE EXTENDER CARD CONN. WITH REVERSED FRONT HOUSING			
SIZE	CAGE CODE	DRAWING NO	RESTRICTED TO
A2	00779	C=188749	-
CUSTOMER DRAWING		SCALE	SHEET
		NTS	1 OF 1
		REV	C1