



Series image - Reference only

EU RoHS	China RoHS				
ELV and RoHS Compliant					
<p>Search Parts in this Series 19164 Series</p> <p>Application Tooling</p> <hr/> <p>Global</p> <table border="1"><thead><tr><th data-bbox="414 1142 808 1180">Description</th><th data-bbox="808 1142 1531 1180">Product #</th></tr></thead><tbody><tr><td data-bbox="414 1180 808 1218">Hand Crimp Tool, UL Approved</td><td data-bbox="808 1180 1531 1218">0640017400</td></tr></tbody></table>		Description	Product #	Hand Crimp Tool, UL Approved	0640017400
Description	Product #				
Hand Crimp Tool, UL Approved	0640017400				

Part Number: **0191640065**

Status: **Active**

Description: Perma-Seal™ Ring Tongue Terminal for 10-12 AWG Wire, Stud Size 10

- Documents:**
- [Drawing \(PDF\)](#)
 - [Product Literature \(PDF\)](#)
 - [Related Catalog Page \(PDF\)](#)

Order Products:

- [Check Distributor Inventory](#)
- [Request Samples](#)

Part Detail: (show all)○ **General**○ **Physical**○ **Electrical**○ **Material Info****General**

Product Family	Ring and Spade Terminals
Series	<u>19164</u>
Material - Plating Mating	Tin
Mil-Spec	N/A
Plating min: Mating (uin)	100
Plating min: Mating (um)	2.5
Plating min: Termination (uin)	100
Plating min: Termination (um)	2.5
Product Name	Perma-Seal™
Type	Ring

Physical

Barrel Type	Closed
Flammability	94 V2
Insulation	NiAc(TM)
Material - Metal	Copper
Packaging Type	Box
Stud Size	10 (M5)
Wire Insulation Diameter	7.87mm (.310")
Wire Size AWG	10
Wire Size AWG	12
Wire Size mm ²	3.09 - 5.01

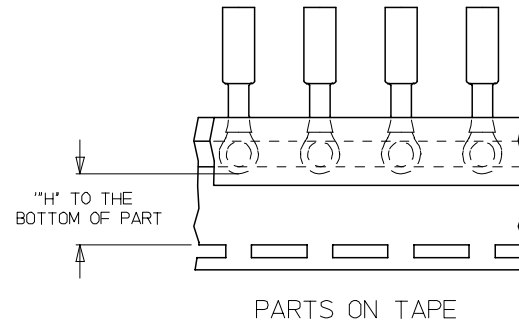
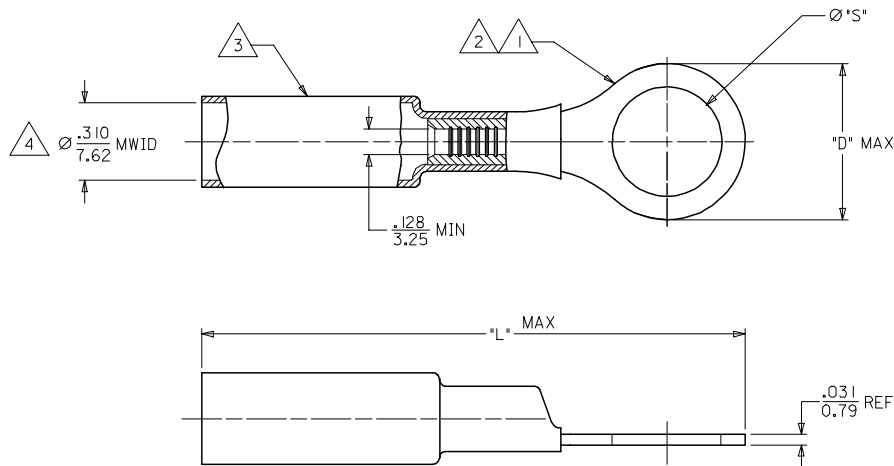
Electrical

CSA	LR18689
UL	E32244

Material Info

Old Part Number	SC-230-10
-----------------	-----------

MATERIAL NUMBER	ENGINEERING NUMBER	MATERIAL NUMBER ON TAPE	ENGINEERING NUMBER ON TAPE	STUD SIZE	"S" ±.005/0.03	"D" MAX	"H" ±.020/0.50	"L" MAX
191640060	SC-228-04	191640936	SC-228-04T	#4	.126/3.20	.39/9.9	1.469/11.91	1.39/35.1
191640061	SC-228-06	191640937	SC-228-06T	#6	.146/3.71	.39/9.9	1.469/11.91	1.39/35.1
191640062	SC-228-08	191640938	SC-228-08T	#8	.173/4.39	.39/9.9	1.469/11.91	1.39/35.1
191640063	SC-228-10	191640939	SC-228-10T	#10	.198/5.03	.39/9.9	1.469/11.91	1.39/35.1
191640065	SC-230-10	191640316	SC-230-10T	#10	.198/5.03	.54/13.7	1.302/7.67	1.55/39.4
191640066	SC-230-14	191640317	SC-230-14T	1/4	.265/6.73	.54/13.7	1.302/7.67	1.55/39.4
191640067	SC-230-56	191640318	SC-230-56T	5/16	.328/8.33	.54/13.7	1.302/7.67	1.55/39.4
191640068	SC-240-38	191640857	SC-240-38T	3/8	.390/9.91	.60/15.2	1.385/9.78	1.55/39.4
191640058	SC-201-12	---	---	1/2	.515/13.08	.76/19.3	---	1.87/47.5



SALES DRAWING

NOTES:

- ① TERMINAL MATERIAL: COPPER ALLOY
- ② FINISH: ELECTRO TIN PLATE.
- ③ INSULATION MATERIAL: HEAT SHRINKABLE TUBING WITH HOTMELT ADHESIVE INNER LINER. COLOR: YELLOW
- ④ MWID = MAXIMUM WIRE INSULATION DIAMETER.
- ⑤ PARTS ON TAPE DOUBLE SPACED.

ADD MAT'L NUMBER EC NO: ETC2005-0208 DRW: JMW/RYCK 2005/05/31 CHK: D/ROROSS 2005/05/31 APPR: JPAN/LCK 2005/05/31	QUALITY SYMBOLS 	GENERAL TOLERANCES (UNLESS SPECIFIED)		DIMENSION STYLE IN/MM		SCALE ---	DESIGN UNITS INCH	THIRD ANGLE PROJECTION
		4 PLACES ± ---	± ---	mm	INCH	DRAWN BY BENDERLE	DATE 2002/09/10	TITLE RING TONGUE TERMINAL PERMA-SEAL NIAC 12-10 AWG
		3 PLACES ± ---	± ---			CHECKED BY HBEITZEL	DATE 2002/09/10	MOLEX INCORPORATED
		2 PLACES ± ---	± ---			APPROVED BY RDEROSS	DATE 2002/09/10	
1 PLACE ± ---	± ---	ANGULAR ± ---°		DRAFT WHERE APPLICABLE MUST REMAIN WITHIN DIMENSIONS		SEE CHART	SD-19164-041	SHEET NO. 1 OF 1