

THIS DRAWING IS UNPUBLISHED. RELEASED FOR PUBLICATION

© COPYRIGHT BY TYCO ELECTRONICS CORPORATION. ALL RIGHTS RESERVED.

LOC FT DIST 0

REVISIONS

P	LTR	DESCRIPTION	DATE	DWN	APVD
	A4	REVISED PER ECO-08-025930	11/20/09	SS	CR

MATERIALS:

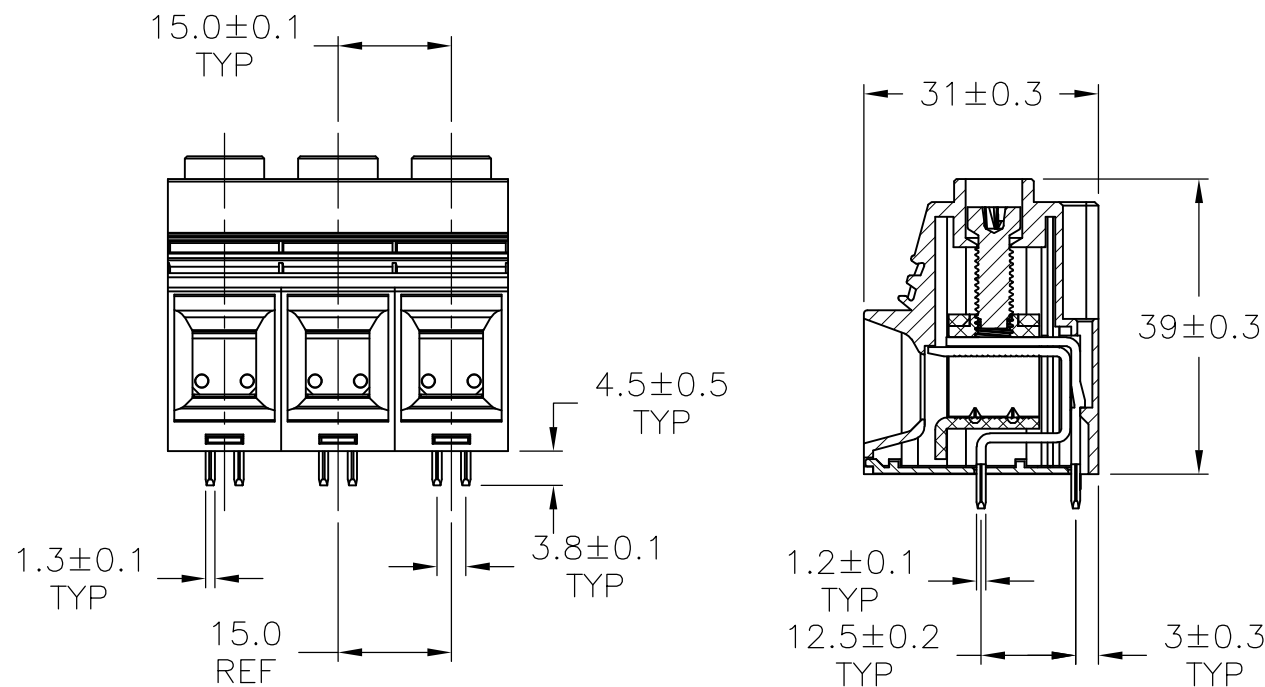
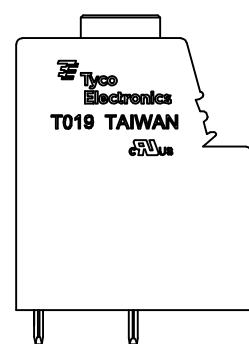
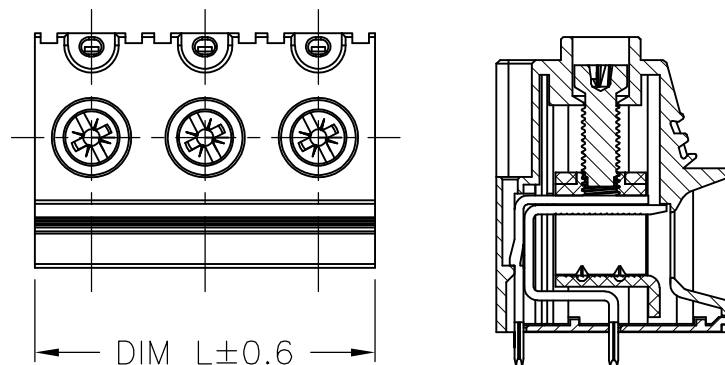
HOUSING: PA66, UL94V-0, COLOR: GREEN.  
 TERMINAL: BRASS, TIN PLATED.  
 CAGE CLAMP: STEEL, TRI-CHROMATE.  
 SCREW: STEEL, TRI-CHROMATE.

ELECTRICAL:

CURRENT RATING: 125A  
 VOLTAGE RATING: 600V.  
 INSULATION WITHSTANDS: AC2000V MIN  
 INSULATION RESISTANCE: 2000Mohm/DC500V  
 WIRE RANGE: 1-20 AWG

MECHANICAL:

SCREW TORQUE: 30 IN-LB  
 OPERATING TEMP.: -40° TO +105°C  
 WIRE STRIP LENGTH: 18mm



120.00	8	1986242-8
105.00	7	1986242-7
90.00	6	1986242-6
75.00	5	1986242-5
60.00	4	1986242-4
45.00	3	1986242-3
30.00	2	1986242-2
DIM L	NO OF POS	PART NUMBER

THIS DRAWING IS A CONTROLLED DOCUMENT.		DWN S SCHLEGEL 28AUG2007	Tyco Electronics Corporation Harrisburg, PA 17105-3608	
DIMENSIONS: mm		CHK C RICHARD 8/28/07		
TOLERANCES UNLESS OTHERWISE SPECIFIED:		APVD C RICHARD 8/28/07	NAME POWER CONNECTOR 15.0mm PITCH	
0 PLC ± - 1 PLC ± - 2 PLC ± - 3 PLC ± - 4 PLC ± - ANGLES ± 1°		PRODUCT SPEC -	RESTRICTED TO -	
MATERIAL -		FINISH -	APPLICATION SPEC -	SIZE A3
			WEIGHT -	CAGE CODE 00779
			DRAWING NO C-1986242	
		CUSTOMER DRAWING		SCALE 1:1
				SHEET 1 OF 1
				REV A4