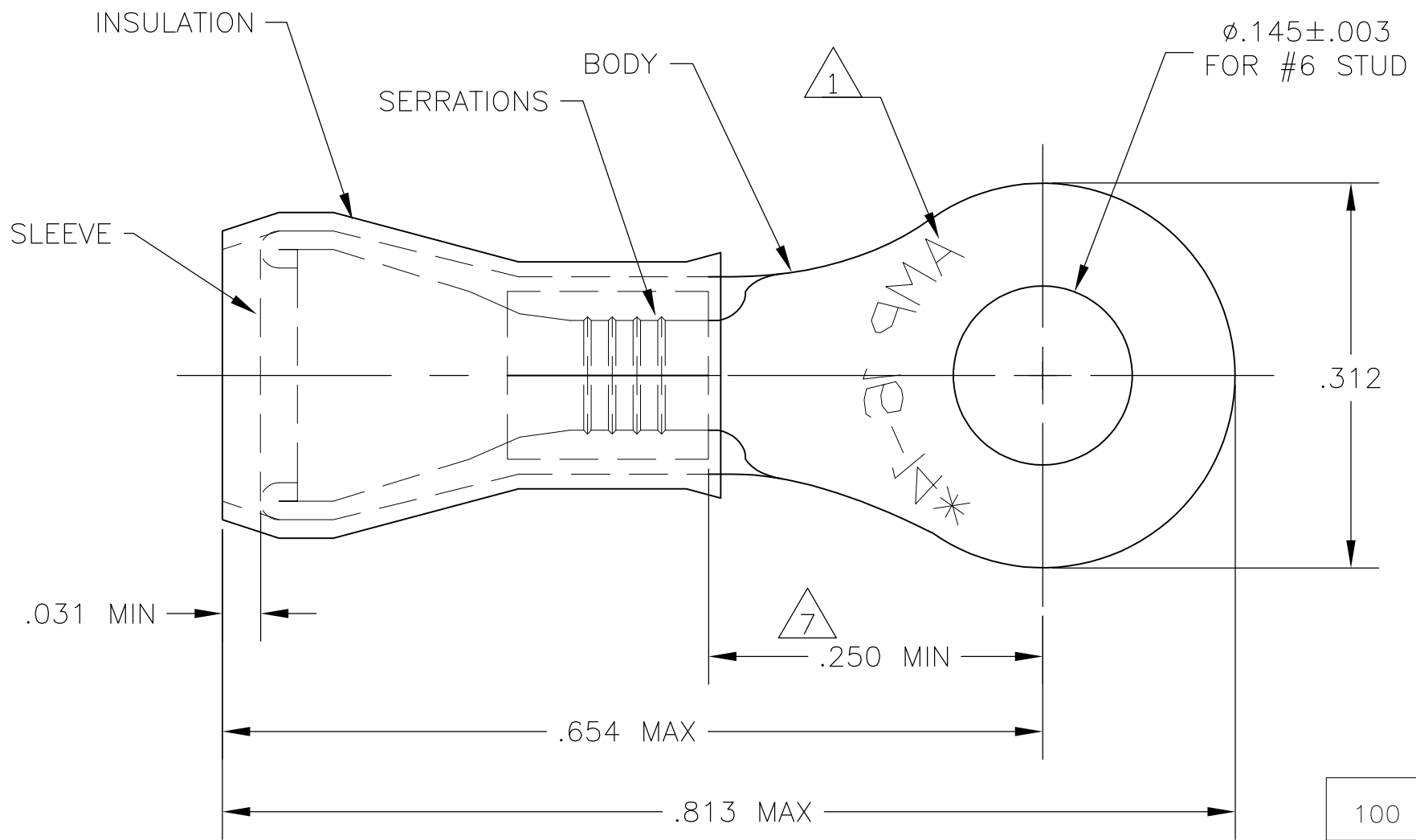


THIS DRAWING IS UNPUBLISHED. RELEASED FOR PUBLICATION
 © COPYRIGHT BY TYCO ELECTRONICS CORPORATION. ALL INTERNATIONAL RIGHTS RESERVED.

| LOC | DIST | REVISIONS | | | | | |
|-----|------|-----------|-----|-----------------------|---------|-----|------|
| G | 14 | P | LTR | DESCRIPTION | DATE | DWN | APVD |
| | | K1 | | REV PER ECR 10-004402 | 02MAR10 | JR | TM |

| | | |
|--------------------------------|--------------------------------|--------------------------------|
| AMP WIRE RANGE | Listed | LR7189 Certified |
| 16-14 AWG SOLID OR STRANDED | 16-14 AWG SOLID OR STRANDED | 16-14 AWG SOLID OR STRANDED |



- 1 STAMP AMP 16-14*, APPROX AS SHOWN.
- 2 TONGUE THICKNESS IS $.031 \pm .002$
- 3 FOR $.115-.170$ WIRE INSULATION DIA
- 4 MAX RECOMMENDED OPERATING TEMP IS 105°C .
- 5 300 VOLT MAX RATING.
- 6 WIRE CROSS SECTIONAL AREA RANGE $1.04-2.62\text{mm}$ [2,050-5,180 CIR MILS]
- 7 APPLIES FROM EDGE OF METAL WIRE BBL TO CENTER OF STUD HOLE.
- 8 RESTRICTED PART: AMP GREAT BRITIAN LTD, USE ONLY.

| 100 | LOOSE PIECE, BOX | BODY & SLEEVE: COPPER PER ASTM B152 TIN PL. PER ASTM B-545 INSULATION: NYLON, TYPE I, PER ASTM D4066 COLOR: BLUE | 8-326882-1 |
|------|------------------|---|---------------------|
| 5000 | ON TAPE, REEL | | 2-326882-1 |
| --- | --- | | 326882-1 |
| 1000 | LOOSE PIECE | | 326882 |
| QTY | PACKAGING | MATERIAL / FINISH | PART NO |

OBSOLETE

| | | | | | | | | | | | | | | | | |
|--|--------|---------------------------------|---|-----------------|-----|-------|-----|-------|--------|-------|-----|--------|------|------------------------|------|-----------|
| THIS DRAWING IS A CONTROLLED DOCUMENT. | | DWN jr_ruth 02MAR10 | Tyco Electronics Corporation Harrisburg, PA 17105-3608 | | | | | | | | | | | | | |
| DIMENSIONS: INCHES | | CHK T MICHELUTTI 02MAR10 | NAME | | | | | | | | | | | | | |
| TOLERANCES UNLESS OTHERWISE SPECIFIED: | | APVD T MICHELUTTI 02MAR10 | WIRE TERMINAL PIDG, RING TONGUE WIRE SIZE: 16-14 | | | | | | | | | | | | | |
| <table border="0"> <tr><td>0 PLC</td><td>± -</td></tr> <tr><td>1 PLC</td><td>± -</td></tr> <tr><td>2 PLC</td><td>± -</td></tr> <tr><td>3 PLC</td><td>± .008</td></tr> <tr><td>4 PLC</td><td>± -</td></tr> <tr><td>ANGLES</td><td>± 1°</td></tr> </table> | | 0 PLC | ± - | 1 PLC | ± - | 2 PLC | ± - | 3 PLC | ± .008 | 4 PLC | ± - | ANGLES | ± 1° | PRODUCT SPEC UL486B | SIZE | CAGE CODE |
| 0 PLC | ± - | | | | | | | | | | | | | | | |
| 1 PLC | ± - | | | | | | | | | | | | | | | |
| 2 PLC | ± - | | | | | | | | | | | | | | | |
| 3 PLC | ± .008 | | | | | | | | | | | | | | | |
| 4 PLC | ± - | | | | | | | | | | | | | | | |
| ANGLES | ± 1° | | | | | | | | | | | | | | | |
| MATERIAL SEE TABLE | | APPLICATION SPEC 114-2157 | DRAWING NO A300779 C-326882 | | | | | | | | | | | | | |
| FINISH SEE TABLE | | WEIGHT - | RESTRICTED TO - | | | | | | | | | | | | | |
| CUSTOMER DRAWING | | | SCALE 8:1 | SHEET 1 OF 1 | | | | | | | | | | | | |
| | | | REV K1 | | | | | | | | | | | | | |