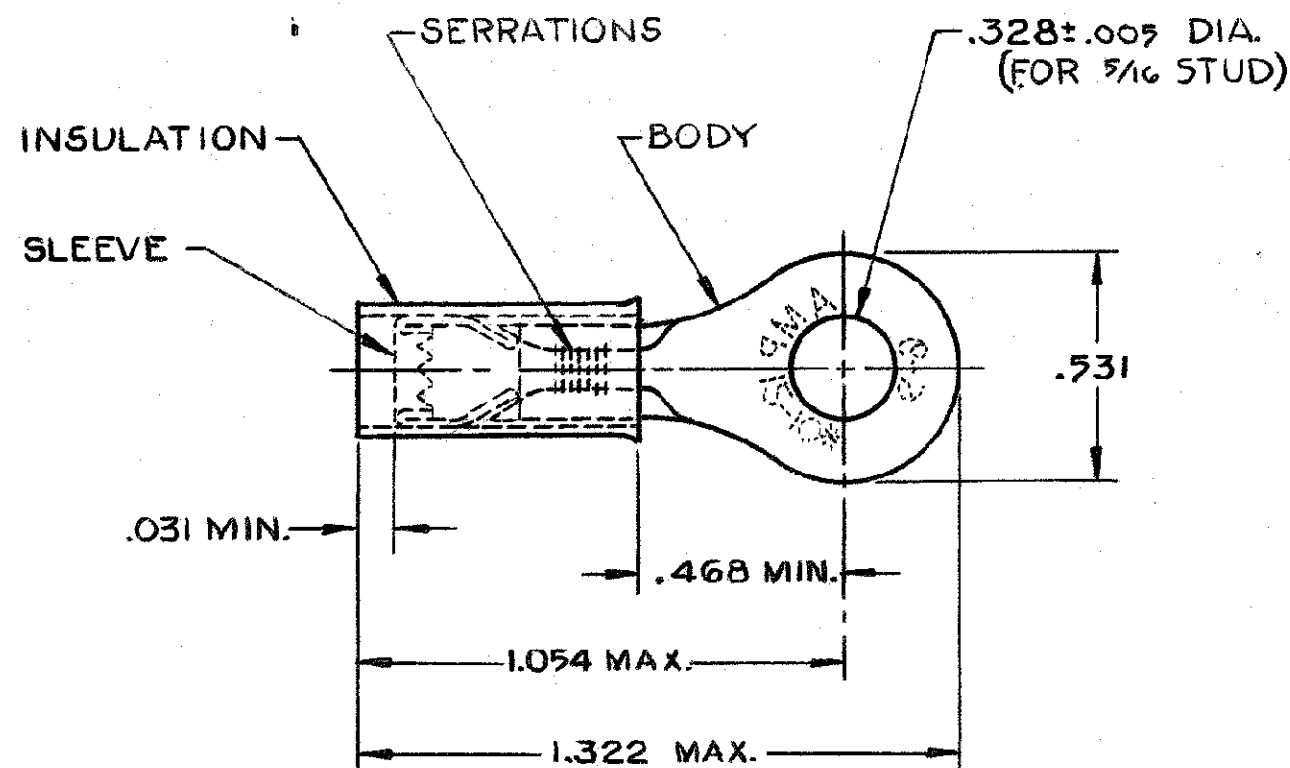


THIS DRAWING IS UNPUBLISHED. RELEASED FOR PUBLICATION . 19
 © COPYRIGHT 19 BY AMP INCORPORATED, HARRISBURG, PA. ALL INTERNATIONAL RIGHTS RESERVED. AMP PRODUCTS MAY BE COVERED BY U.S. AND FOREIGN PATENTS AND/OR PATENTS PENDING.

REVISIONS						
P	F	ZONE	LTR	DESCRIPTION	DATE	APPROVED
✓	✓		D	REDRAWN-REVISED PER G-1477, G-1177 & P85-0069.	1-27-86	pgm
✓	✓		E	REV PER G-4732	JT 7/26/88	RJC
✓	✓		F	ADDED NOTE 4 PER G-4774	9/14/88	MSF/64
✓	✓		G	OBS. 2-2 PER G-3705	JT 10/14/88	AG
			H	REV. / 0720-0036-93	TO 3-5-93	me
			J	REV/ 0L20-0100-97	ME 5-2-97	TM
			K	REV PER 063A-0274-01	2/5/01	WJ/TM



- 1 WIRE INSULATION DIA. = .150 - .250
- 2 TONGUE MATERIAL THK. = .040 ± .002
- 3 TIN PLATE (MIL-T-10727) .000100 MIN THK.
- 4 ALTERNATE PVC INSULATION MATERIAL FOR FOREIGN SUBSIDIARIES ONLY.
- 5 THIS IS NOT A U.S. MILITARY QUALIFIED PART
- 6 SUPERSEDED BY 8-35111-1

5	2500	ON TAPE, REEL	3-35111-2
5	500	LOOSE PC.	3-35111-1
5	50	LOOSE PC, BOX SPL	8-35111-5
5	25	LOOSE PC, BLS	8-35111-4
5	100	LOOSE PC, BOX	8-35111-1
5	500	ON TAPE, LG. BOX	2-35111-2
MS25036-113 CLASS	2500	ON TAPE, REEL	2-35111-1
MS25036-113 CLASS	500	LOOSE PIECE	35111
MILITARY PART NO. & CLASS	QTY.	DESCRIPTION	PART NO

UNLESS OTHERWISE SPECIFIED DIMENSIONS ARE IN INCHES. TOLERANCES ON: DECIMALS ± .002 ANGLES ± —	CONTRACT NO DR UTA / RFB 9-25-85	AMP AMP INCORPORATED Harrisburg, Pa.		
MATERIAL INSULATION: NYLON-YELLOW 4 BODY & SLEEVE: COPPER (QG-C-576)	CHK P. Mutyahangh 1/27/86 APPD Chai Leay Tran 01/28/86 APPD			NAME TERMINAL P.I.D.G. RING TONGUE WIRE SIZE: 12-10
FINISH BODY: 3	OSGN APPD	SIZE B	FSCM NO 00779	DRAWING NO 35111
	OTHER APPD	SCALE NTS		SHEET 1 OF 1