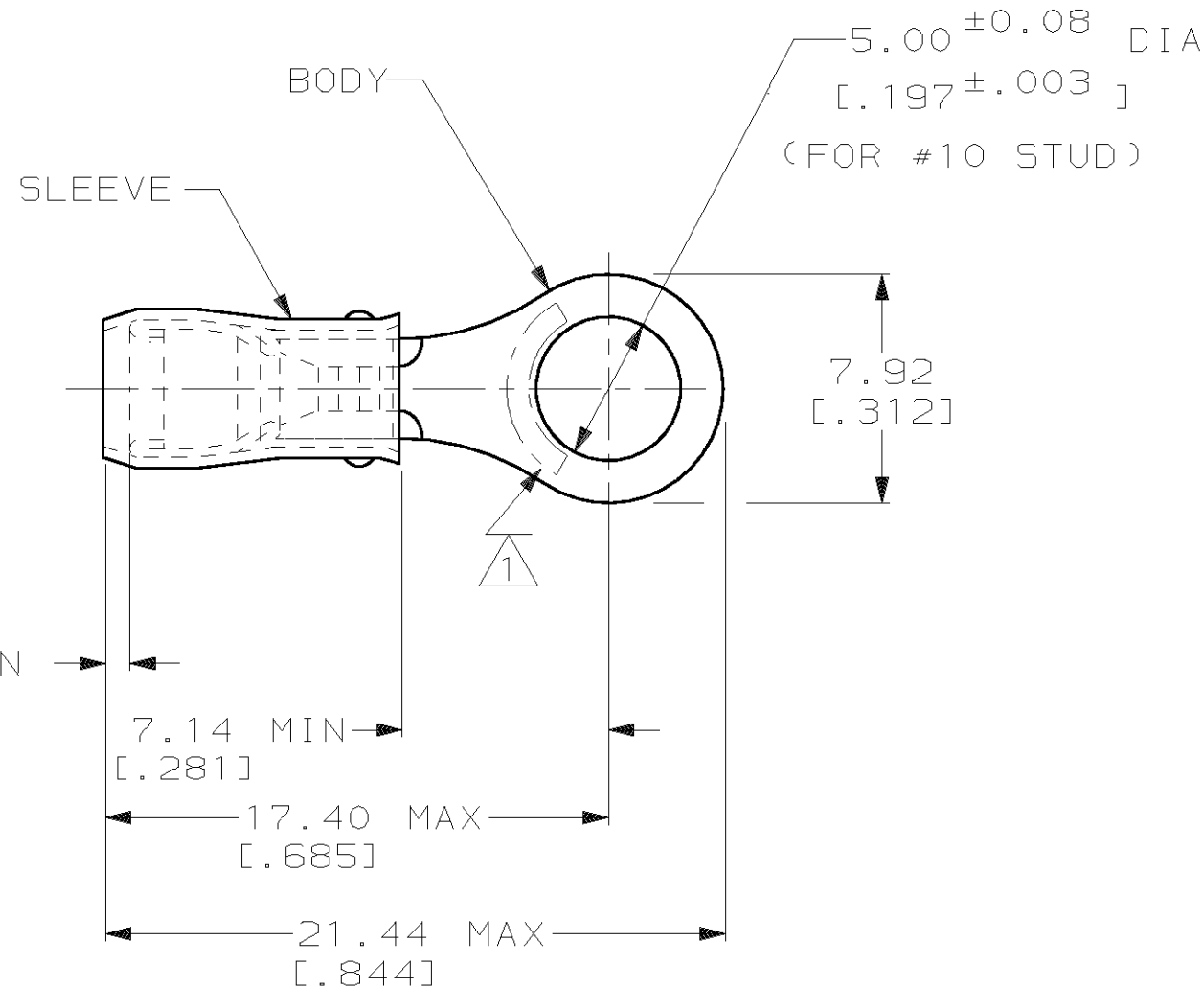


THIS DRAWING IS UNPUBLISHED. RELEASED FOR PUBLICATION, 19
 © COPYRIGHT 19 BY AMP INCORPORATED. ALL INTERNATIONAL RIGHTS RESERVED.

LOC	DIST	P	F	REVISIONS				
G	14			ZONE	LTR	DESCRIPTION	DATE	APPD
					Z	REV PER OG3A-0199-99	16FEB00	JR/TM

AMP WIRE RANGE	UL E13288 Listed	SA LR7189 Certified
22-16 AWG SOLID OR STRANDED	22-16 AWG SOLID OR STRANDED	22-16 AWG SOLID OR STRANDED



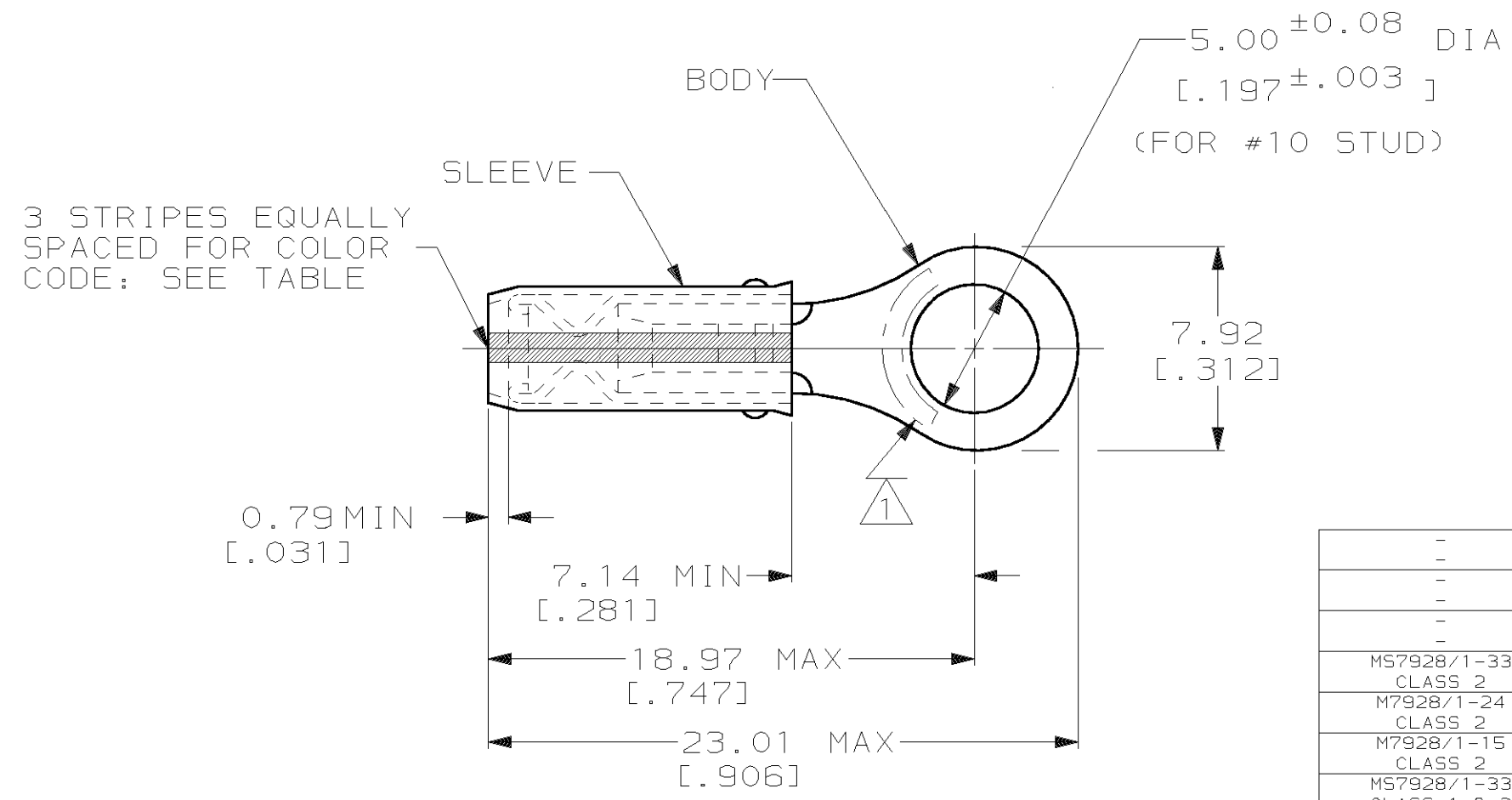
- ① STAMP AMP 22-18* APPROX AS SHOWN
22-16 TERMINALS ARE STAMPED 22-18 IN ACCORDANCE WITH MILITARY SPEC MIL-T-7928
COMMERCIAL WIRE RANGE IS 22-16
- 2 WIRE INSULATION DIA: 2.03 - 3.18
[.080 - .125]
- 3 TONGUE MATERIAL THK: 0.79±0.05
[.031±.002]

AMP INCORPORATED CUSTOMER SERVICE SYSTEMS		MAX RECOMMENDED OPERATING TEMPERATURE: 105°C MAX	MILITARY P/N AND CLASS		QUANTITY	PACKAGE TYPE	PART NO	
FOR ADDITIONAL PRODUCT INFORMATION OR COPIES OF DRAWINGS AND TECHNICAL DOCUMENTS		VOLTAGE RATING: 300 V MAX	MS25036-103 CLASS 2		100	LOOSE PIECE, BOX	6-36153-1	
PRODUCT INFORMATION CENTER 1-800-522-6752		CIRCULAR MIL AREA: 0.26-1.65mm ² [509-3,260] CIR MILS SOLID OR STRANDED	MS25036-103 CLASS 1 & 2		5000	ON TAPE, REEL	2-36153-2	
TOOLING ASSISTANCE CENTER 1-800-722-1111		THIS DRAWING IS A CONTROLLED DOCUMENT FOR AMP INCORPORATED. IT IS SUBJECT TO CHANGE AND THE CONTROLLING ENGINEERING ORGANIZATION SHOULD BE CONTACTED FOR THE LATEST REVISION.	DO NOT SCALE PRINT. UNLESS SPECIFIED DIMENSIONS IN mm [INCHES] TOLERANCES ON: 2 PLC DEC ± 0.20[.008] 3 PLC DEC ± - ANGLES ± -		1000	LOOSE PIECE	36153	
TOOLING INFORMATION			MATERIAL COPPER PER ASTM B-152 SLEEVE, RED NYLON		AMP Incorporated Harrisburg, PA 17105-3608			
FOR ORDER ENTRY 1-800-526-5142		FINISH TIN PLATE PER ASTM B545		DR 9/8/93 DK SCHRUM CHK 9/8/93 RE HERSEY APPD 9/8/93 ML ELLIS APPD 9/8/93 M BARNABA PRODUCT SPEC UL 486A APPLICATION SPEC NOT AVAILABLE		NAME TERMINAL, RING TONGUE, PIDG™, WIRE SIZE, 22-16 AWG		
				WEIGHT -		SIZE B	CAGE CODE 00779	DRAWING NO C-36153
						SCALE NTS	SHEET 1 OF 2	

THIS DRAWING IS UNPUBLISHED. RELEASED FOR PUBLICATION, 19
 © COPYRIGHT 19 BY AMP INCORPORATED. ALL INTERNATIONAL RIGHTS RESERVED.

LOC	DIST	P	F	REVISIONS				
G	14			ZONE	LTR	DESCRIPTION	DATE	APPD
					Z	REV PER OG3A-0199-99	16FEB00	JR/TM

AMP
WIRE RANGE
SEE TABLE
STRANDED



- 1 STAMP AMP APPROX AS SHOWN SEE TABLE BELOW
- 2 WIRE INSULATION DIA: 0.97 - 2.79 FOR 22 AWG [.038 - .110]
1.17 - 2.79 FOR 20 AWG [.046 - .110]
1.42 - 2.79 FOR 18 AWG [.056 - .110]
- 3 TONGUE MATERIAL THK: 0.79±0.05 [.031±.002]

-	WHITE	18*	18	100	LOOSE PIECE, BOX	9-36153-1
-	RED	20*	20	100	LOOSE PIECE, BOX	8-36153-1
-	GREEN	22*	22	100	LOOSE PIECE, BOX	7-36153-1
MS7928/1-33 CLASS 2	WHITE	18*	18	5000	ON TAPE, REEL	2-36153-9
M7928/1-24 CLASS 2	RED	20*	20	5000	ON TAPE, REEL	2-36153-8
M7928/1-15 CLASS 2	GREEN	22*	22	5000	ON TAPE, REEL	2-36153-6
MS7928/1-33 CLASS 1 & 2	WHITE	18*	18	1000	LOOSE PIECE	2-36153-5
M7928/1-24 CLASS 1 & 2	RED	20*	20	1000	LOOSE PIECE	2-36153-4
M7928/1-15 CLASS 1 & 2	GREEN	22*	22	1000	LOOSE PIECE	2-36153-3

AMP INCORPORATED
CUSTOMER SERVICE SYSTEMS

FOR ADDITIONAL PRODUCT INFORMATION OR COPIES OF DRAWINGS AND TECHNICAL DOCUMENTS: PRODUCT INFORMATION CENTER 1-800-522-6752

FOR APPLICATION: TOOLING ASSISTANCE CENTER 1-800-722-1111

TOOLING INFORMATION: 1-800-722-1111

FOR ORDER ENTRY: 1-800-526-5142

MAX RECOMMENDED OPERATING TEMPERATURE: 105°C MAX

VOLTAGE RATING: 300 V MAX

WIRE RANGE: 22 20 18
CIRC MIL AREA: 0.38mm² [754] 0.60mm² [1,186] 0.96mm² [1,900]

STRANDED

THIS DRAWING IS A CONTROLLED DOCUMENT FOR AMP INCORPORATED. IT IS SUBJECT TO CHANGE AND THE CONTROLLING ENGINEERING ORGANIZATION SHOULD BE CONTACTED FOR THE LATEST REVISION.

MILITARY P/N AND CLASS

STRIPE COLOR

STAMPING

WIRE SIZE

QUANTITY

PACKAGE TYPE

PART NO

DO NOT SCALE PRINT. UNLESS SPECIFIED DIMENSIONS IN mm [INCHES] TOLERANCES ON:
 2 PLC DEC ± 0.20[.008]
 3 PLC DEC ± -
 ANGLES ± -

MATERIAL: COPPER PER ASTM B-152 SLEEVE, RED NYLON

FINISH: TIN PLATE PER ASTM B545

DR 9/8/93 DK SCHRUM
 CHK 9/8/93 RE HERSEY
 APPD 9/8/93 ML ELLIS
 APPD 9/8/93 M BARNABA
 PRODUCT SPEC -
 APPLICATION SPEC NOT AVAILABLE
 WEIGHT -

AMP AMP Incorporated
Harrisburg, PA 17105-3608

NAME: TERMINAL, RING TONGUE, I.R., PIDG™, WIRE SIZE, 22-16 AWG

SIZE: B CAGE CODE: 00779 DRAWING NO: C-36153

SCALE: NTS SHEET: 2 OF 2