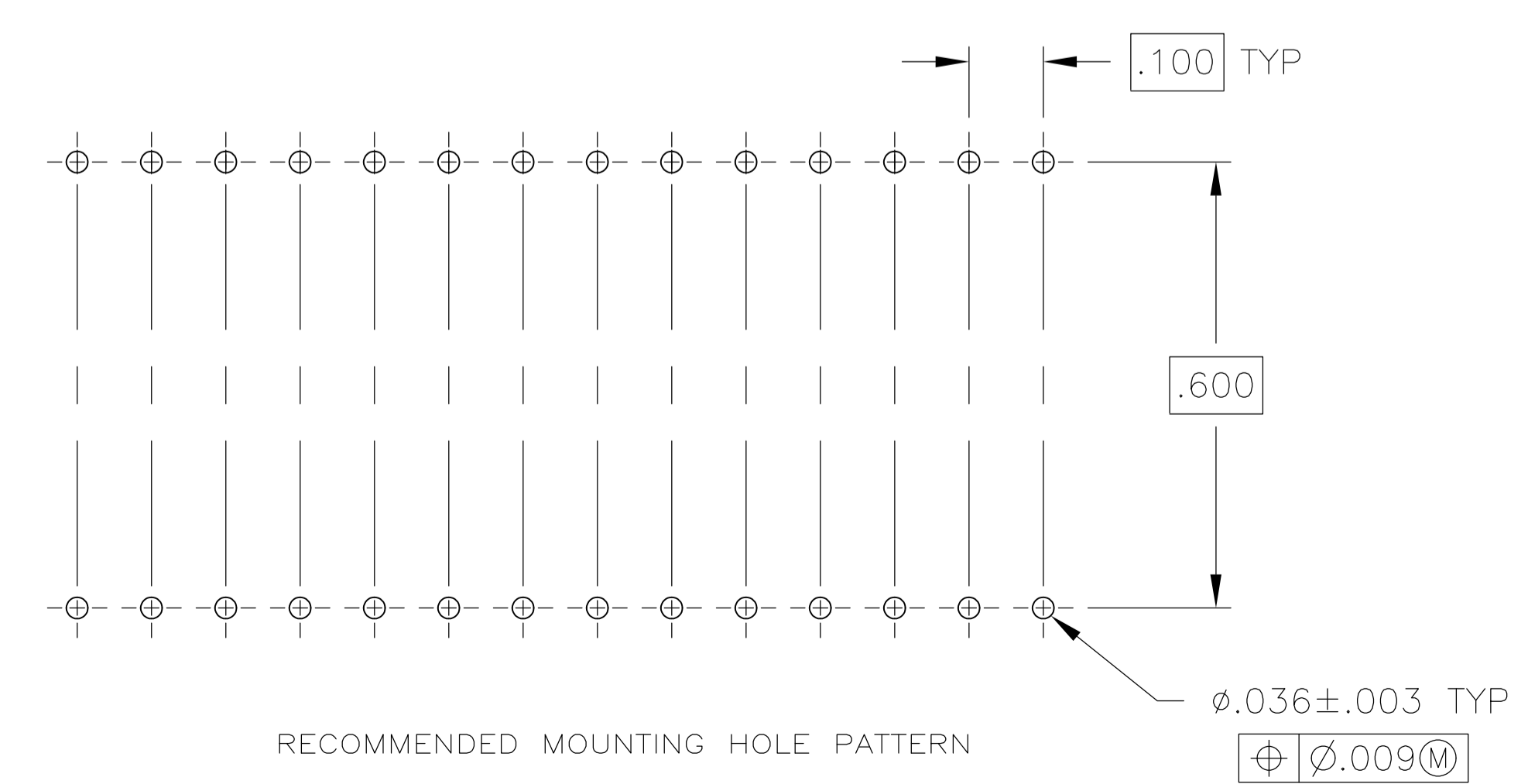
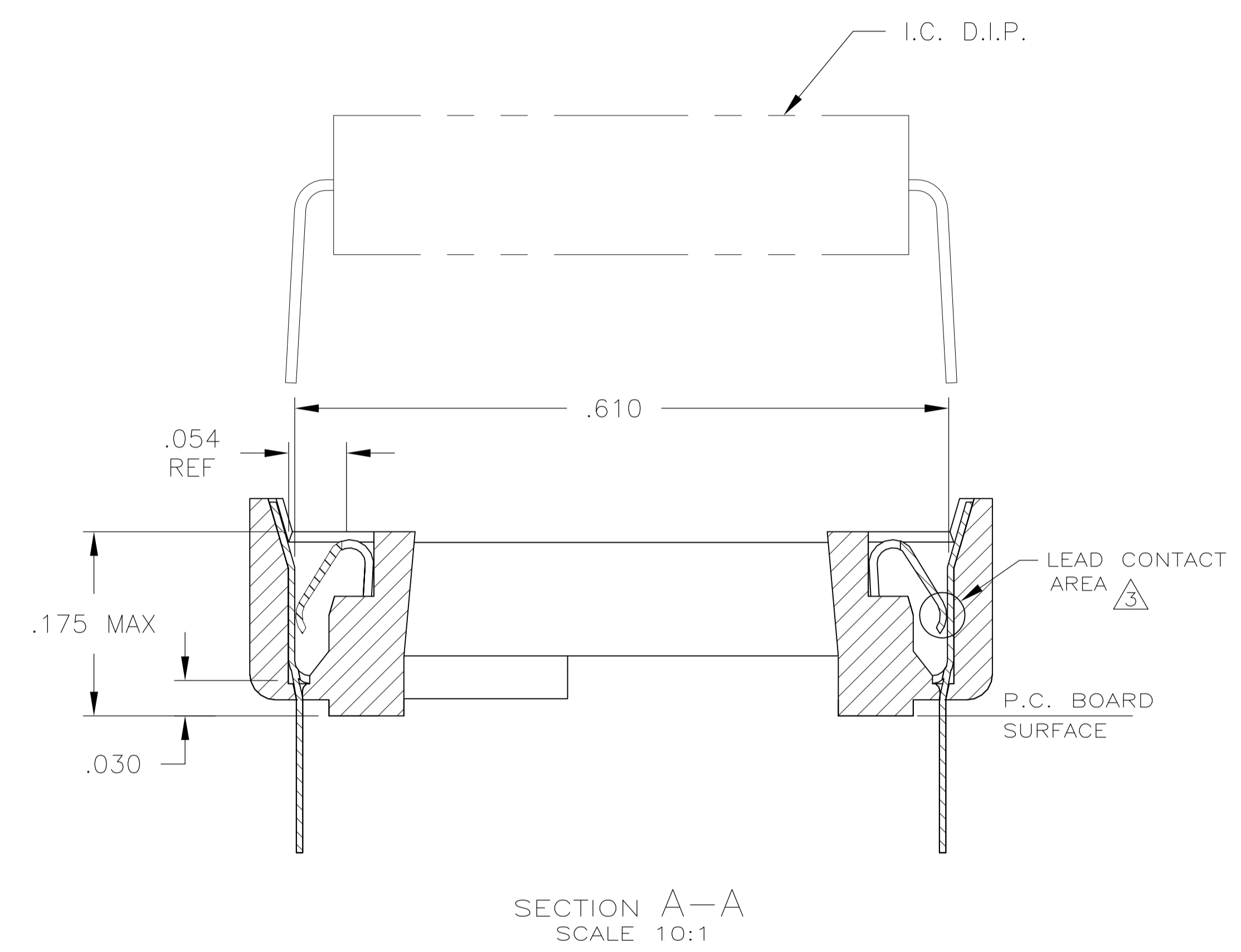
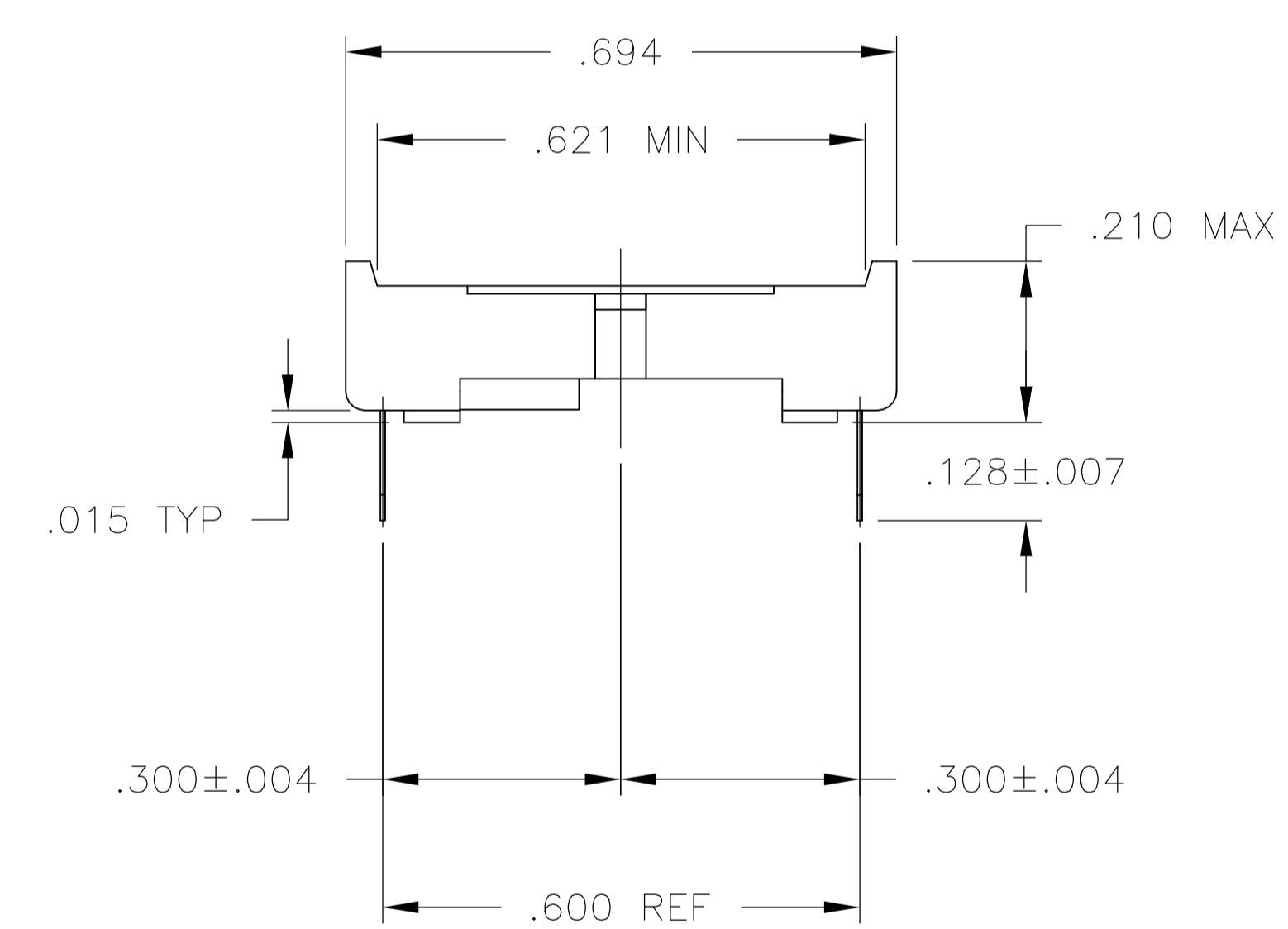
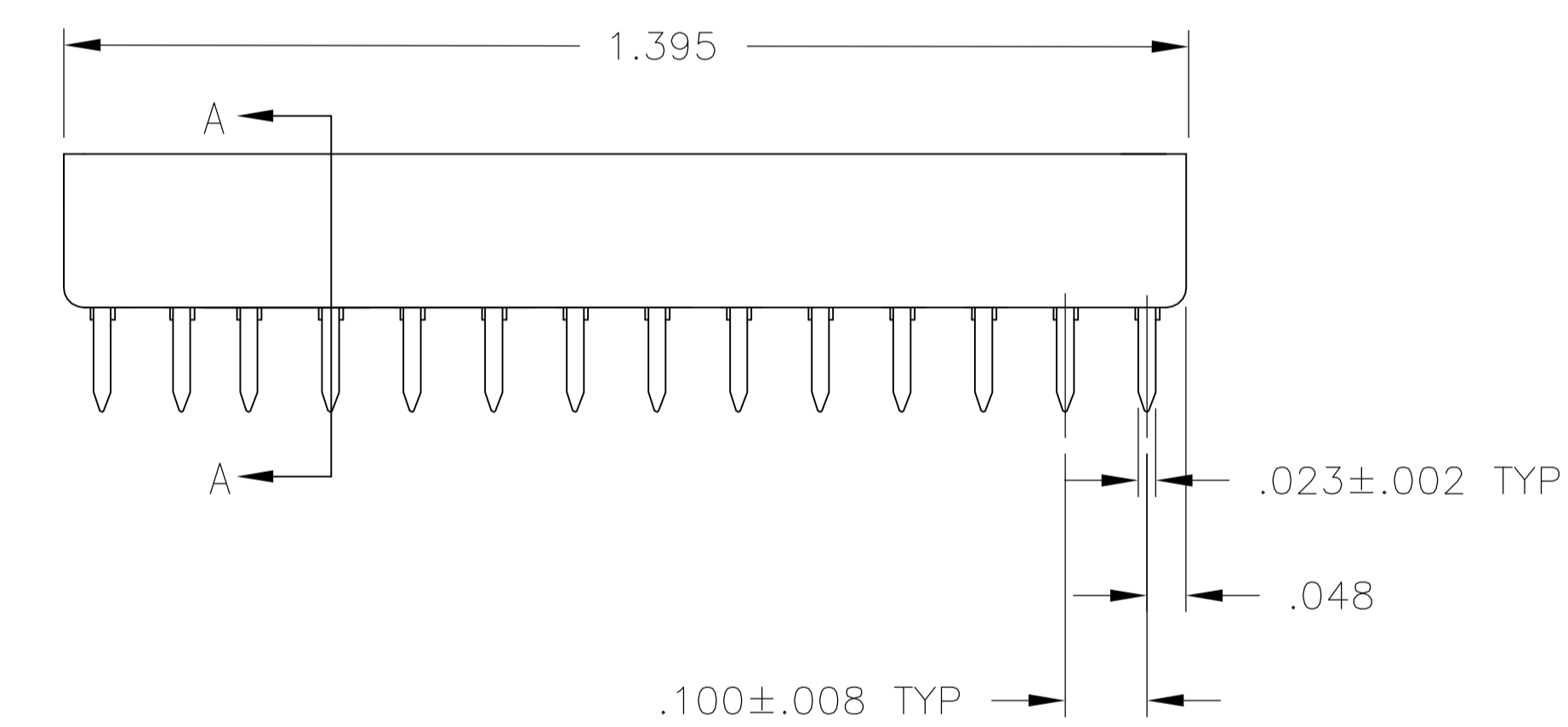
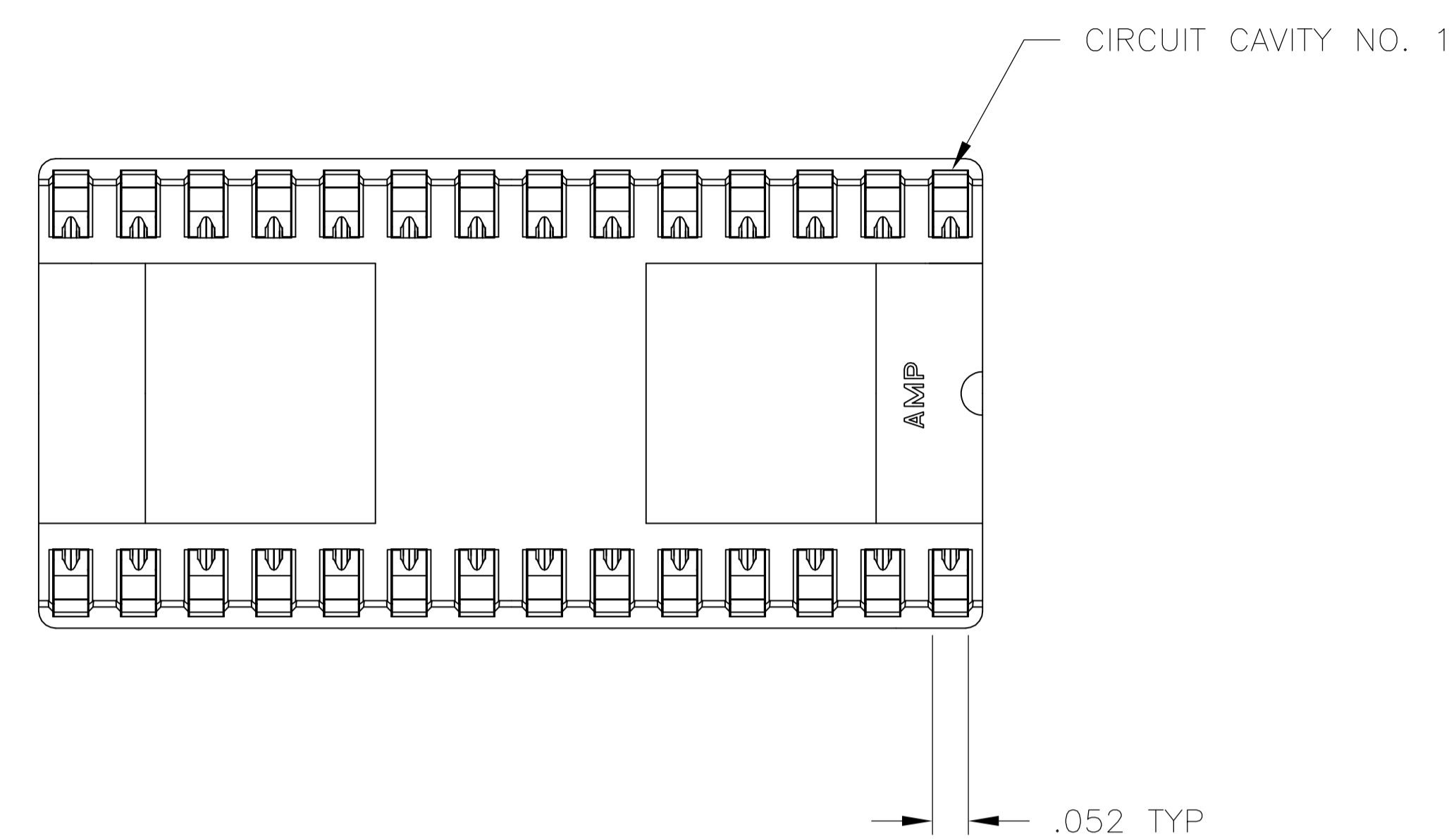


LOC		DIST		REVISIONS			
P	LTR	DESCRIPTION	DATE	DMN	APVD		
G		REV PER 063C-0162-99	17NOV00	RB	HW		
G1		REVISED PER ECO-09-021826	08JAN10	KK	AEG		

1. RECEPTACLE ACCEPTS A .008-.014 THICK I.C. LEAD.
2. TUBE LOADED.
3. TWO .000015 MIN THK. GOLD STRIPES IN CONTACT AREA WITH TIN-LEAD (93/7) ON SOLDER LEGS, BALANCE OF CONTACT NICKEL PLATED.
4. OBSOLETE PARTS: OBSOLETE CIS STREAMLINING PER D.RENAUD/D.SINISI



CONTACT FINISH	CONTACT MAT'L	HOUSING MATERIAL	PART NO.
OBsolete	PHOS. BRZ	BROWN GLASS-FILLED PCT	2-382467-4
TINNED	PHOS. BRZ	BROWN GLASS-FILLED PCT	2-382467-3
OBsolete	BE.CU.	BROWN GLASS-FILLED PCT	2-382467-1

THIS DRAWING IS A CONTROLLED DOCUMENT.		AMP	
DIMENSIONS: INCHES	TOLERANCES UNLESS OTHERWISE SPECIFIED:	REVISED BY	DATE
0. PLC ± -	1. PLC ± -	R BROWN	17NOV00
2. PLC ± -	3. PLC ± .005	H WYNKOOP	17NOV00
4. PLC ± -	ANGLES ± -	H WYNKOOP	17NOV00
MATERIAL SEE TABLE	FINISH SEE TABLE	NAME	RESTRICTED TO
		SOCKET ASSY, DIP, HT, 28 POS, DIPLOMATE™ DL	
		SIZE	CAGE CODE
		A1	00779
		WEIGHT	DRAWING NO
			C=382467
		CUSTOMER DRAWING	SCALE
			5:1
		SHEET	1 OF 1
		REV	G1