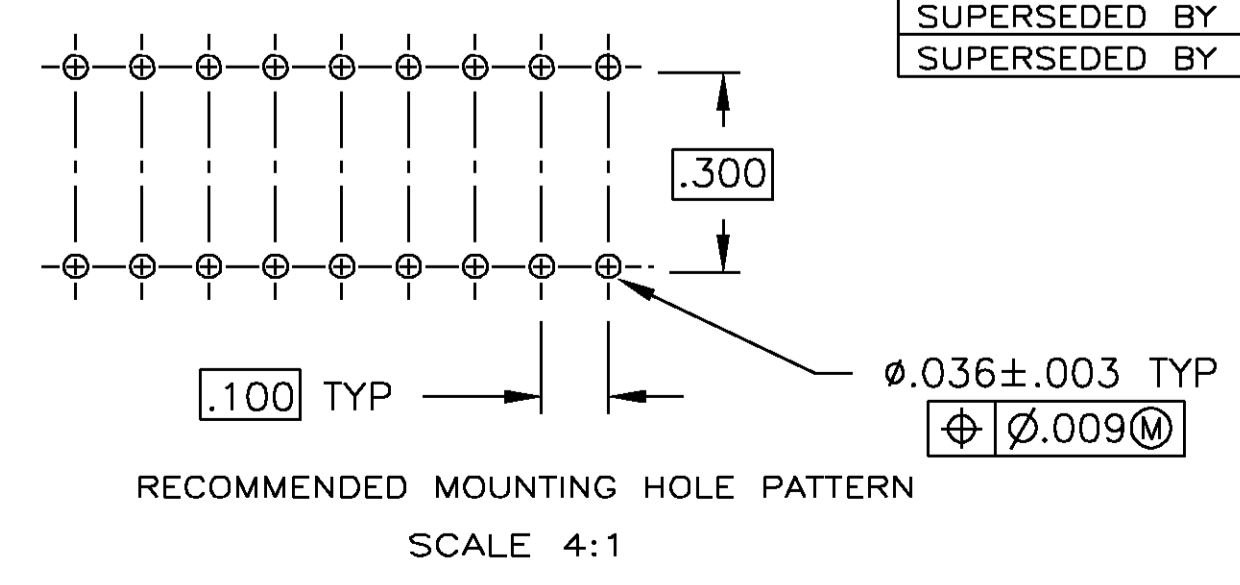
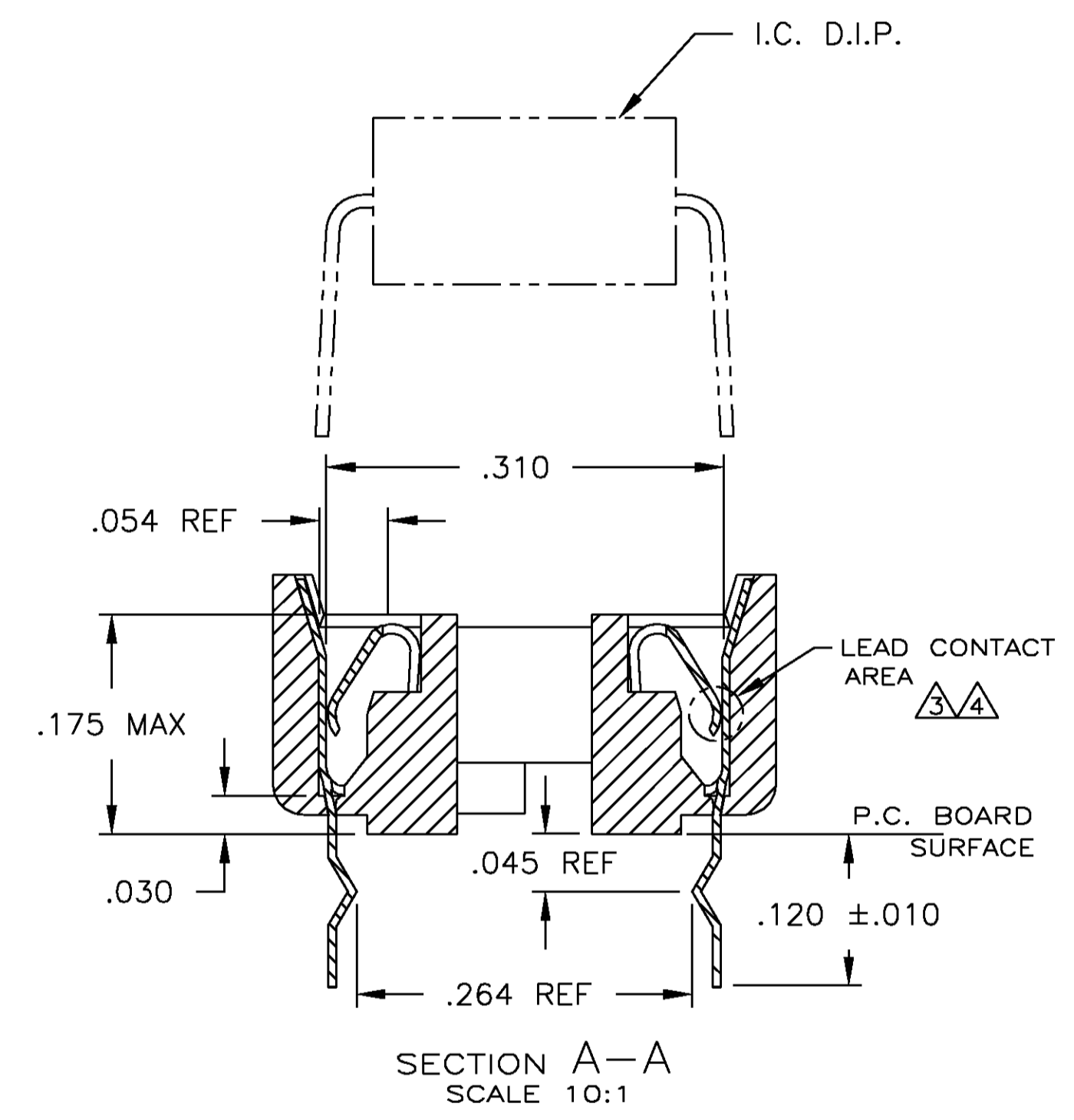
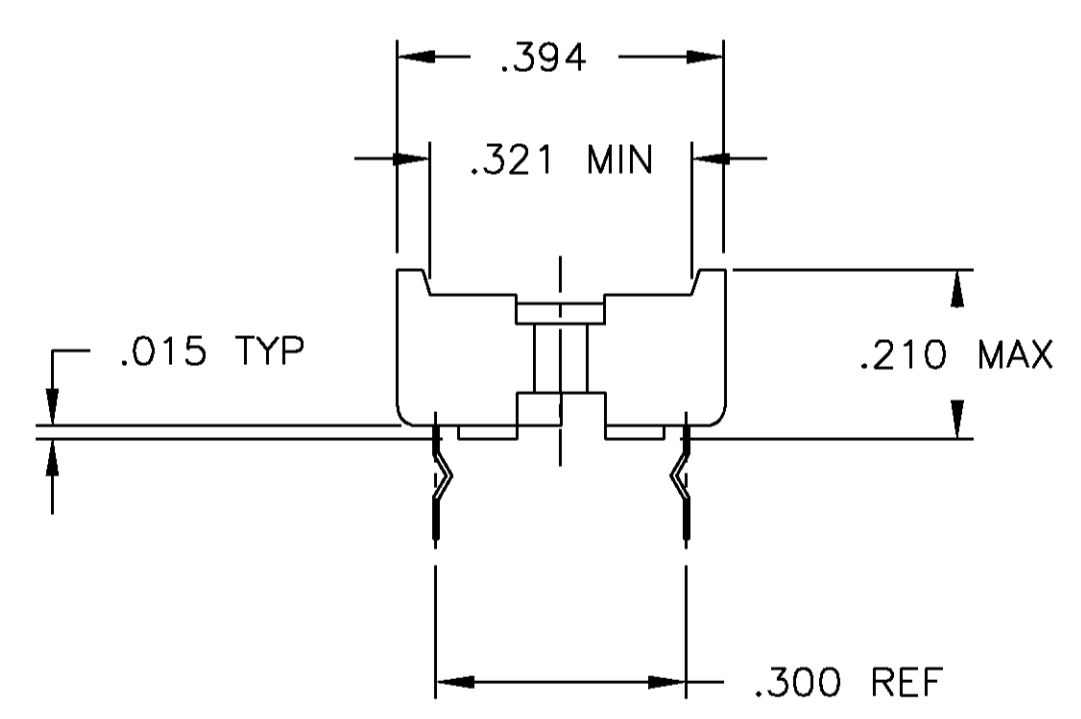
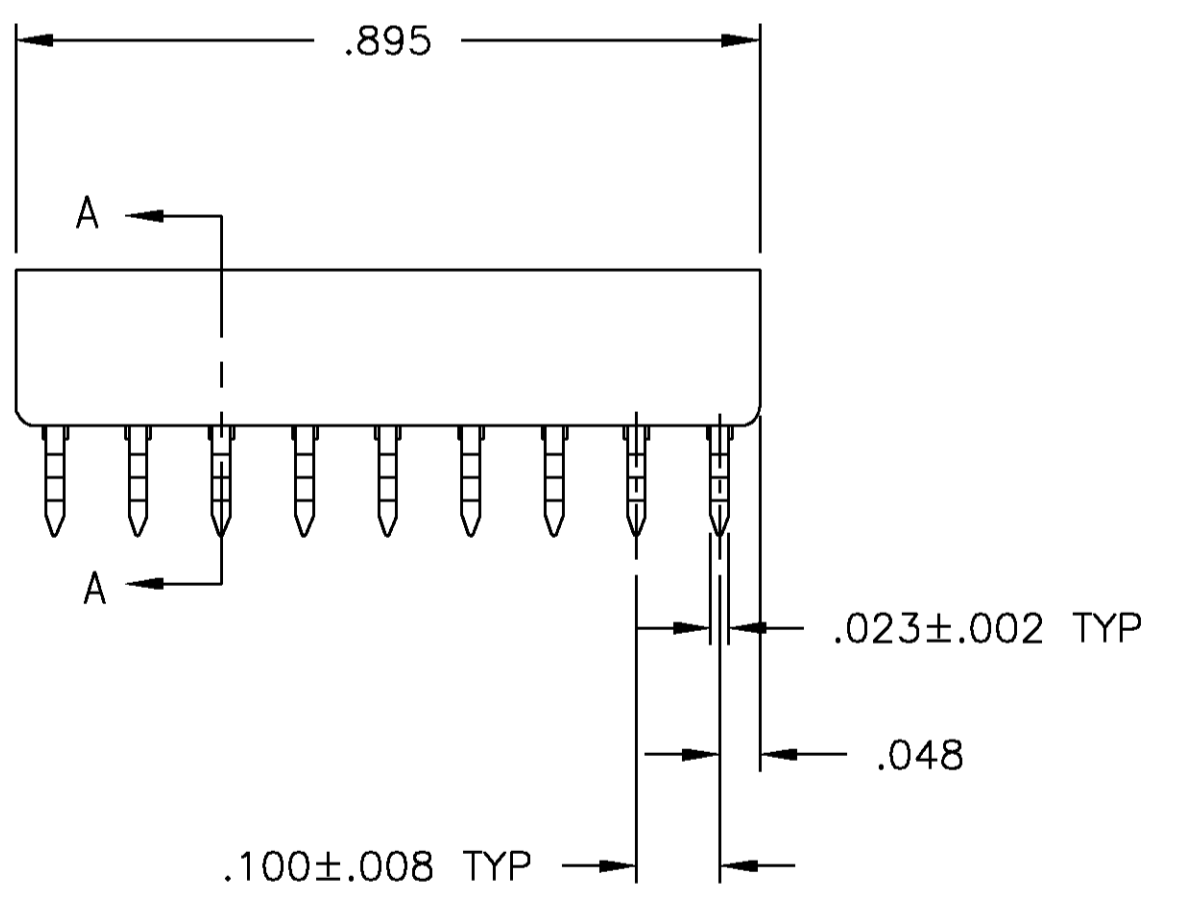
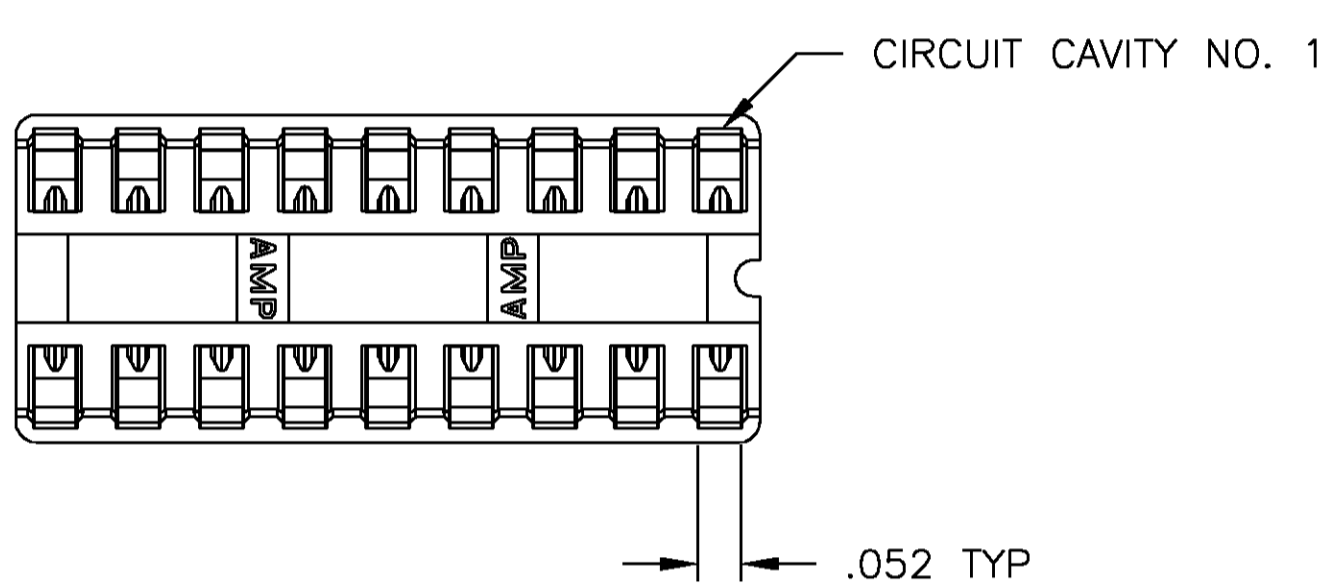


- RECEPTACLE ACCEPTS A .008-.014 THICK I.C. LEAD.
- TUBE LOADED.
- TWO .000030 MIN THK. GOLD STRIPES IN CONTACT AREA WITH TIN-LEAD (93/7) ON CONTACT LEGS, BALANCE OF CONTACT NICKEL PLATED.
- TWO .000015 MIN THK. GOLD STRIPES IN CONTACT AREA WITH TIN-LEAD (93/7) ON CONTACT LEGS, BALANCE OF CONTACT NICKEL PLATED.



SUPERSEDED BY 2-641611-3	TINNED	PHOS.BRZ. .006 THK	GLASS-FILLED THERMOPLASTIC, 94V-O, BLACK	2-641611-5
SUPERSEDED BY 2-641611-2	TINNED	PHOS.BRZ. .006 THK	GLASS-FILLED THERMOPLASTIC, 94V-O, BLACK	2-641611-4
	TINNED	PHOS.BRZ. .006 THK	GLASS-FILLED THERMOPLASTIC, 94V-O, BLACK	2-641611-3
	TINNED	BE.CU. .006 THK	GLASS-FILLED THERMOPLASTIC, 94V-O, BLACK	2-641611-2
	TINNED	BE.CU. .006 THK	GLASS-FILLED THERMOPLASTIC, 94V-O, BLACK	2-641611-1
	CONTACT FINISH	CONTACT MAT'L	HOUSING MATERIAL	PART NO.

THIS DRAWING IS A CONTROLLED DOCUMENT.		DRW	28AUG00	Tyco Electronics Corporation Harrisburg, PA 17105	
DIMENSIONS: INCHES		CHK	28AUG00	NAME	
TOLERANCES UNLESS OTHERWISE SPECIFIED:		APD	28AUG00	PRODUCT SPEC	
0 PLC ± -		H. WYNKOOP		108-1066	
1 PLC ± -				APPLICATION SPEC	
2 PLC ± -				114-1049	
3 PLC ± .005				SIZE CASE CODE DRAWING NO	
4 PLC ± -				A1 00779 ©641611	
ANGLES ± -				RESTRICTED TO	
MATERIALS SEE TABLE	FINISH SEE TABLE	WEIGHT		CUSTOMER DRAWING	
		SCALE 5:1		SHEET 1 OF 1 REV W	