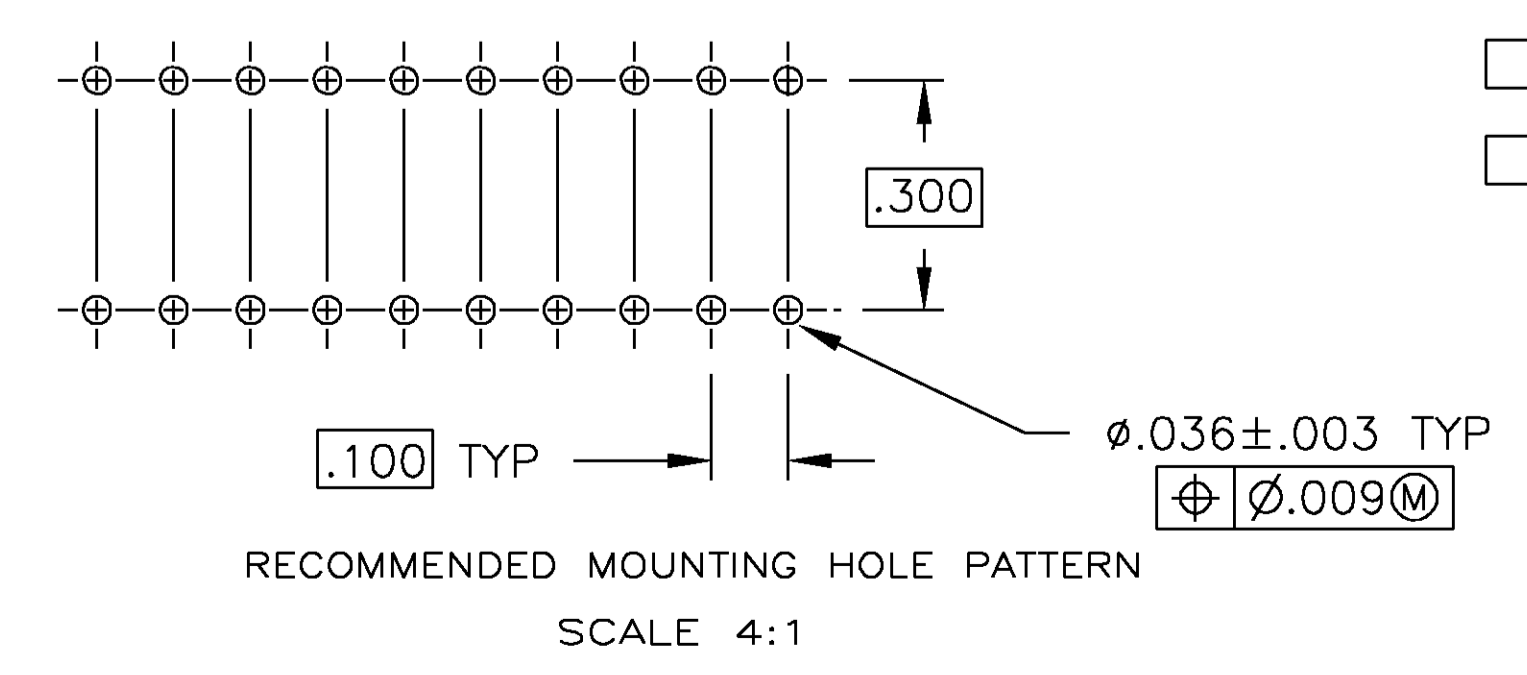
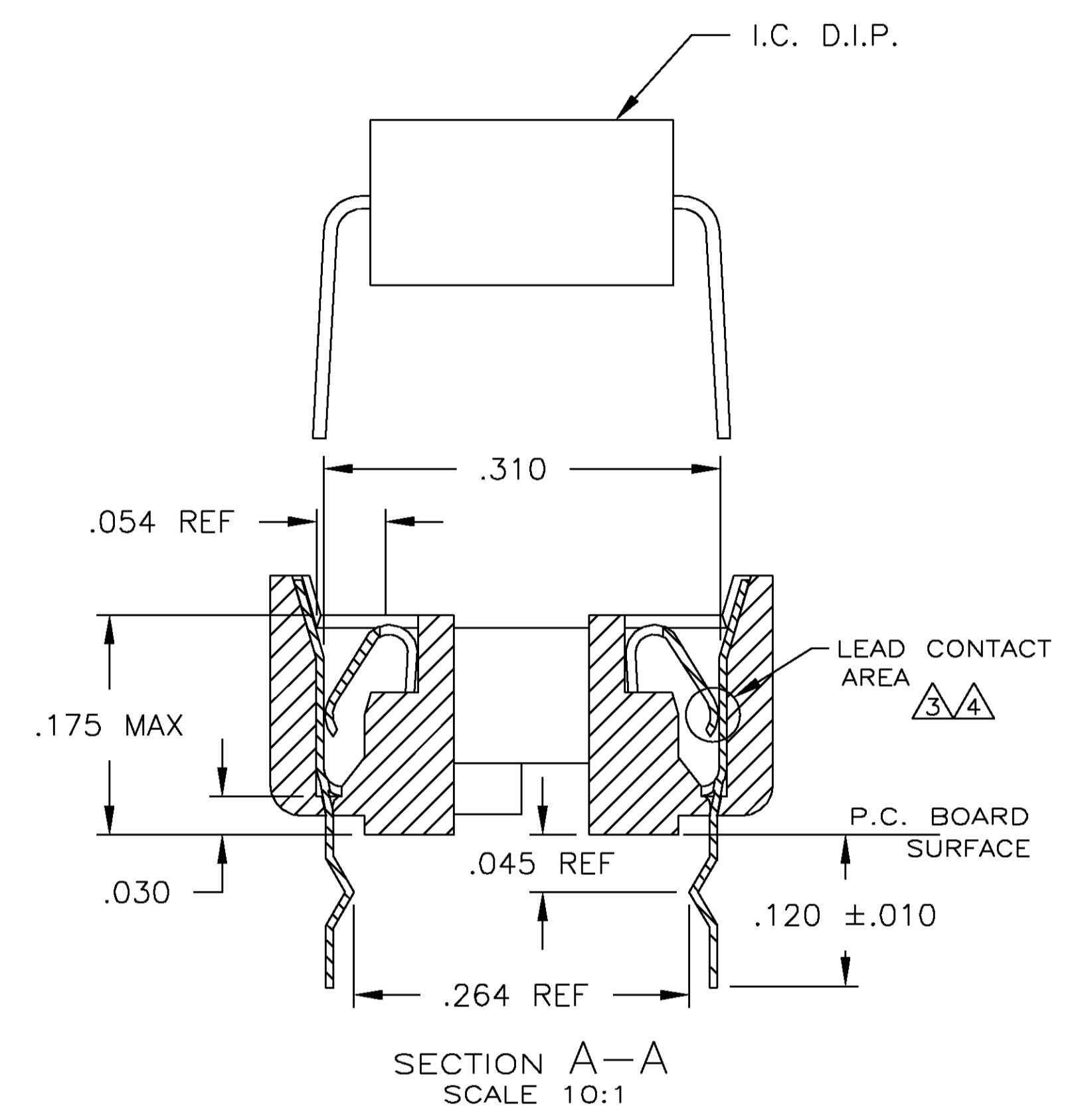
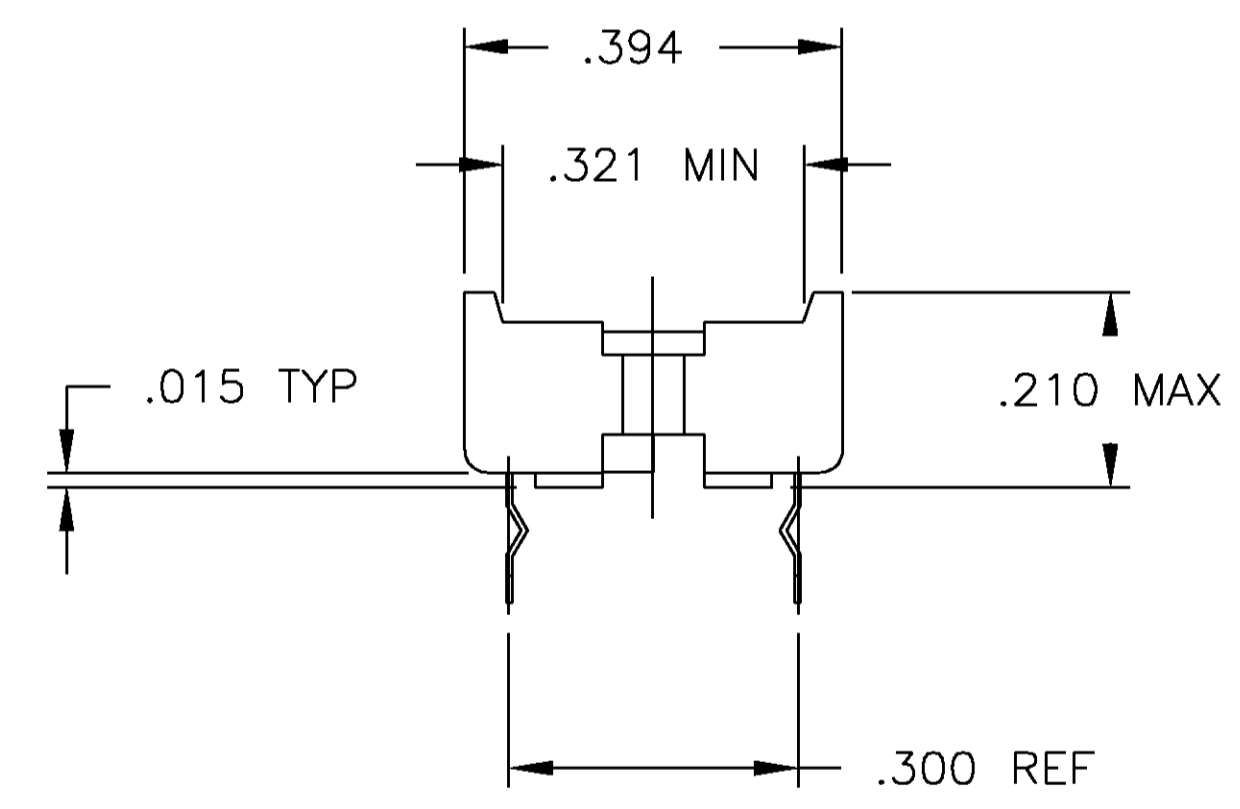
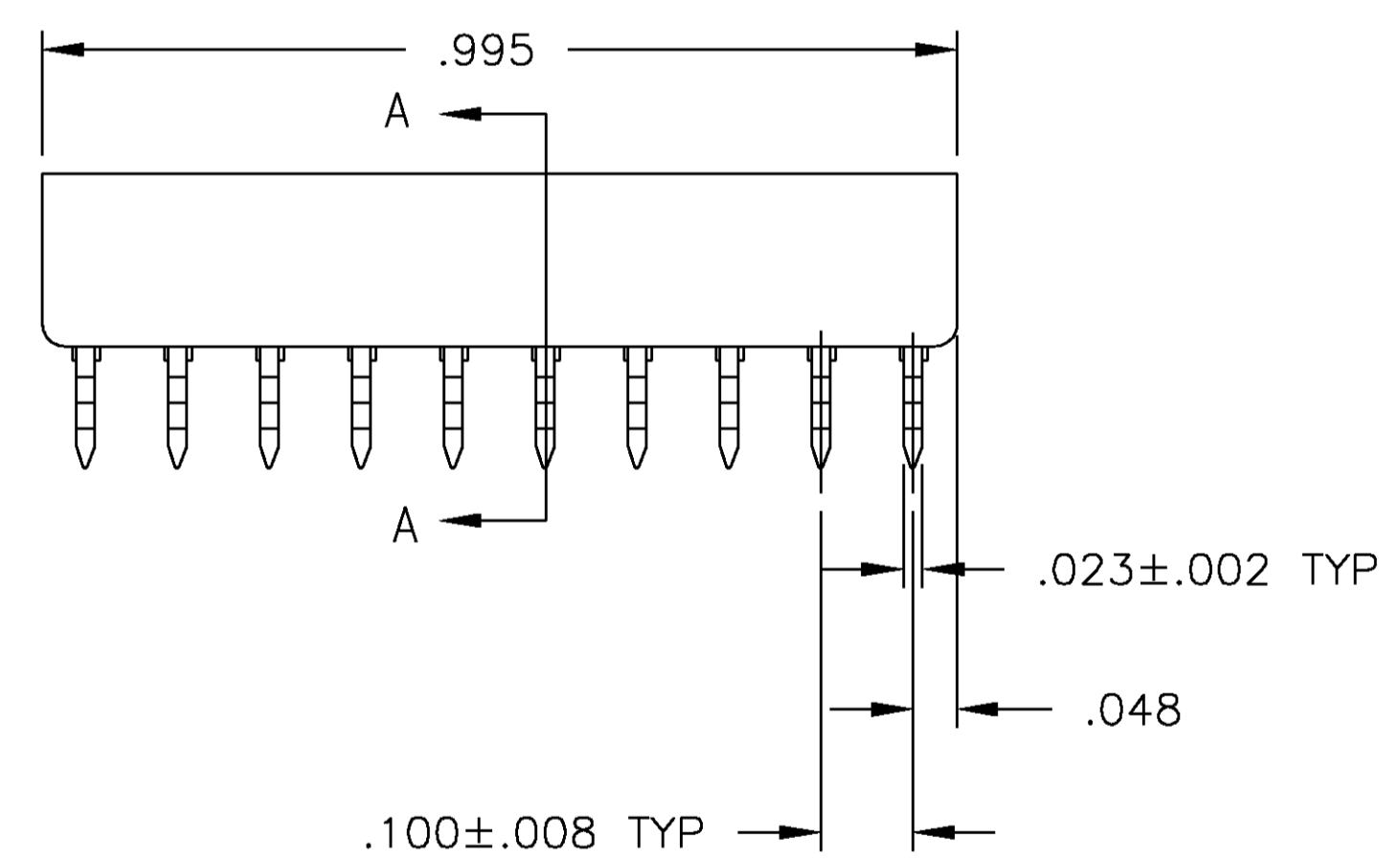
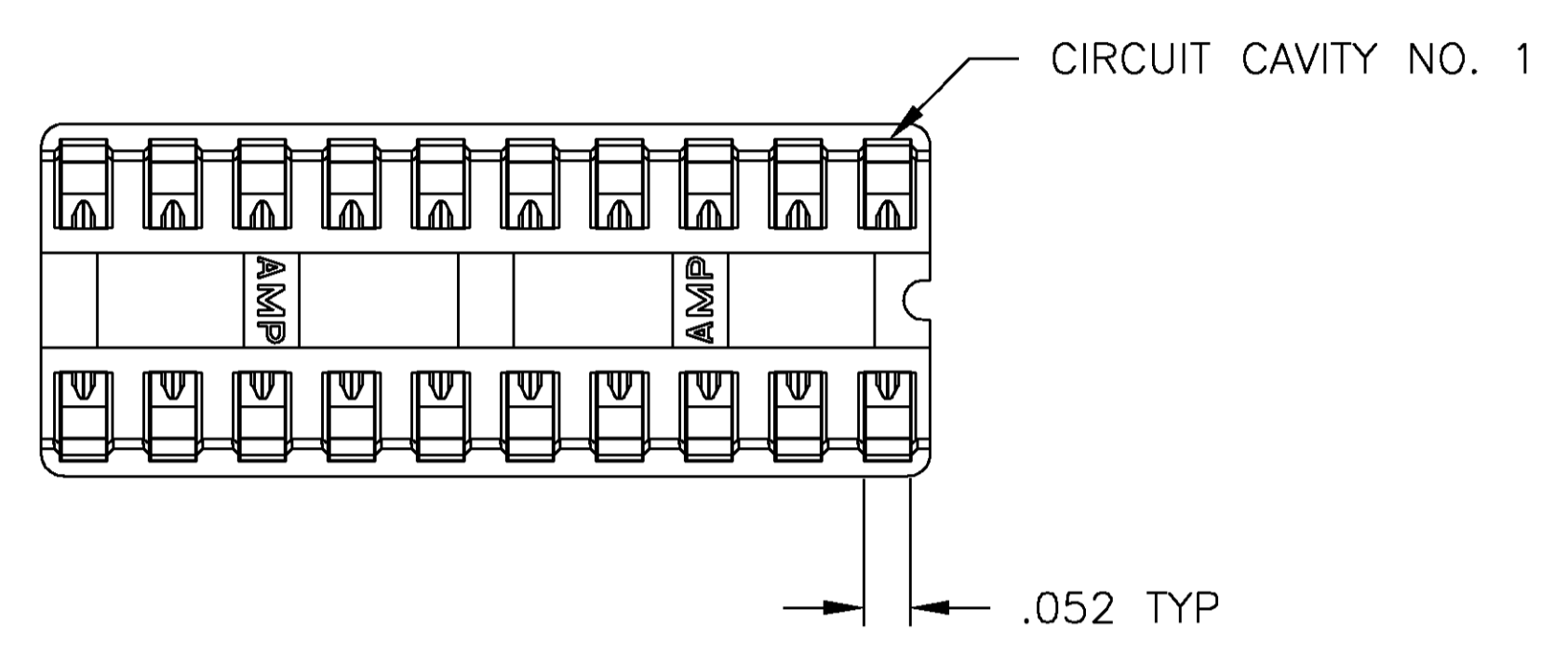


1. RECEPTACLE ACCEPTS A .008-.014 THICK I.C. LEAD.
2. TUBE LOADED.
- ③ TWO .000030 MIN THK. GOLD STRIPES IN CONTACT AREA WITH TIN-LEAD (93/7) ON CONTACT LEGS, BALANCE OF CONTACT NICKEL PLATED.
- ④ TWO .000015 MIN THK. GOLD STRIPES IN CONTACT AREA WITH TIN-LEAD (93/7) ON CONTACT LEGS, BALANCE OF CONTACT NICKEL PLATED.



OBSOLETE	TINNED	PHOS.BRZ. .006 THK	GLASS-FILLED THERMOPLASTIC, 94V-O, BLACK	2-641612-5
	④	PHOS.BRZ. .006 THK	GLASS-FILLED THERMOPLASTIC, 94V-O, BLACK	2-641612-4
OBSOLETE	TINNED	PHOS.BRZ. .006 THK	GLASS-FILLED THERMOPLASTIC, 94V-O, BLACK	2-641612-3
	③	BE.CU. .006 THK	GLASS-FILLED THERMOPLASTIC, 94V-O, BLACK	2-641612-2
	TINNED	BE.CU. .006 THK	GLASS-FILLED THERMOPLASTIC, 94V-O, BLACK	2-641612-1
CONTACT FINISH		CONTACT MAT'L	HOUSING MATERIAL	PART NO.
THIS DRAWING IS A CONTROLLED DOCUMENT.				
DIMENSIONS: INCHES		TOLERANCES UNLESS OTHERWISE SPECIFIED:		DW R BROWN 09JAN01
0 PLC ± -		APVD H WYNKOOP 17NOV00		OK H WYNKOOP 17NOV00
1 PLC ± -		PRODUCT SPEC		NAME
2 PLC ± -		108-1066		SOCKET ASSY, DIP, LADDER,
3 PLC ± .005		APPLICATION SPEC		RET LEG, 20 POS. DIPLOMATE™ DL
4 PLC ± -		114-1049		SIZE
ANGLES ± α-30°		WEIGHT -		CAGE CODE DRAWING NO
MATERIAL SEE TABLE		FINISH SEE TABLE		A1 00779 ©=641612
		CUSTOMER DRAWING		RESTRICTED TO
		SCALE 5:1		SHEET 1 OF 1
				REV V