



# Series 0511 Strip-Line Sockets with Bifurcated Contact Solder Tail Pins

## FEATURES:

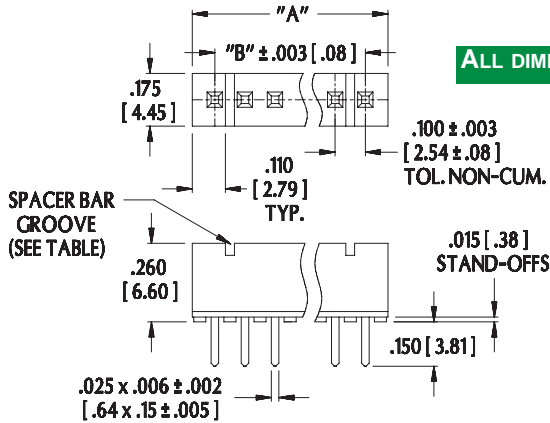
- For mounting liquid crystal displays and other high pin count or odd centered components.
- Available in several sizes with bifurcated contacts in solder tail or wire wrap pins.
- Optional spacer available for mounting on .300 [7.62], .600 [15.24], .900 [22.86], 1.100 [27.94], and 1.300 [33.02] centers. Consult factory for other sizes.

## SPECIFICATIONS:

- Body is Black UL 94-V0 Glass-filled 4/6 Nylon.
- Pin is Grade A Phosphor Bronze per QQ-B-750.
- Optional spacer is FR-406, .032 [.81] thick.
- Pin plating is :
  - 0 = 50-130 $\mu$  min. Matte Tin per ASTM B545-97 over 50 $\mu$  Nickel per SAE-AMS-QQ-N-290.
  - OTL = 50-130 $\mu$  90/10 Tin/Lead per MIL-T-10727 Type 1 over 50 $\mu$  Nickel per SAE-AMS-QQ-N-290.
  - 1 = 10 $\mu$  min. Gold per MIL-G-45204 over 50 $\mu$  Nickel per SAE-AMS-QQ-N-290.
- Current rating=1 Amp.
- Operating temperature= -67°F to 221°F [-55°C to 105°C] Tin & Tin/Lead plating, -67°F to 257°F [-55°C to 125°C] Gold.
- Insertion Force=110 grams/pin average; Withdrawal Force=75 grams/pin average.
- Accepts flat leads up to .014 x .020 wide [.36-.51], round leads up to .020 [.51] in diameter.
- Socket accepts lead lengths from seating plane .080-.160 [2.03-4.06].

## MOUNTING CONSIDERATIONS:

- Suggested PCB hole size=.036  $\pm$  .002 [.91  $\pm$  .05] dia.
- "A"=(NO. OF PINS X .100 [2.54]) + .050 [1.27]  
 "B"=(NO. OF PINS PER ROW - 1) X .100 [2.54]

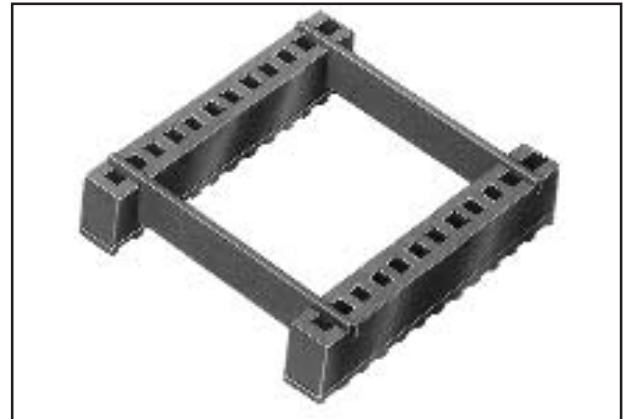


No. of Pins	No. of Grooves
20	2
25	2
30	2
34	3
40	2

All tolerances  $\pm$  .005 [.13] unless otherwise specified

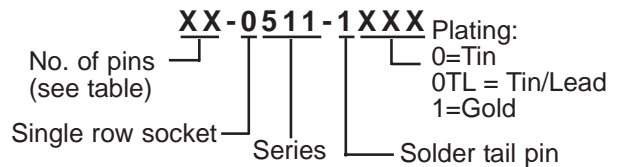
Other sizes available. Consult factory.

SPACER BAR

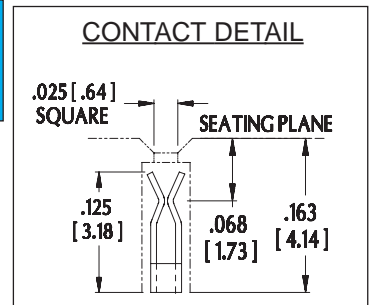


Note: Aries specializes in custom design and production. In addition to the standard products shown on this page, special materials, platings, sizes, and configurations can be furnished, depending on quantities. Aries reserves the right to change product specifications without notice.

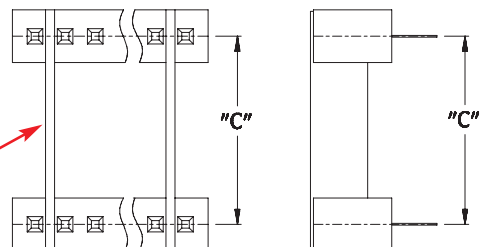
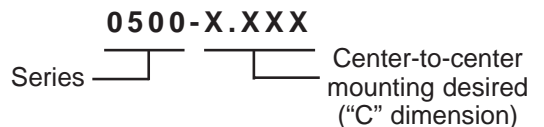
## ORDERING INFORMATION



Consult Data Sheet No. 12009 for strip-line sockets with wire wrap pins.



## ORDERING INFORMATION (for spacer bar)



http://www.arieselec.com • info@arieselec.com

Frenchtown, NJ USA  
 TEL: (908) 996-6841  
 FAX: (908) 996-3891



12008 REV.D