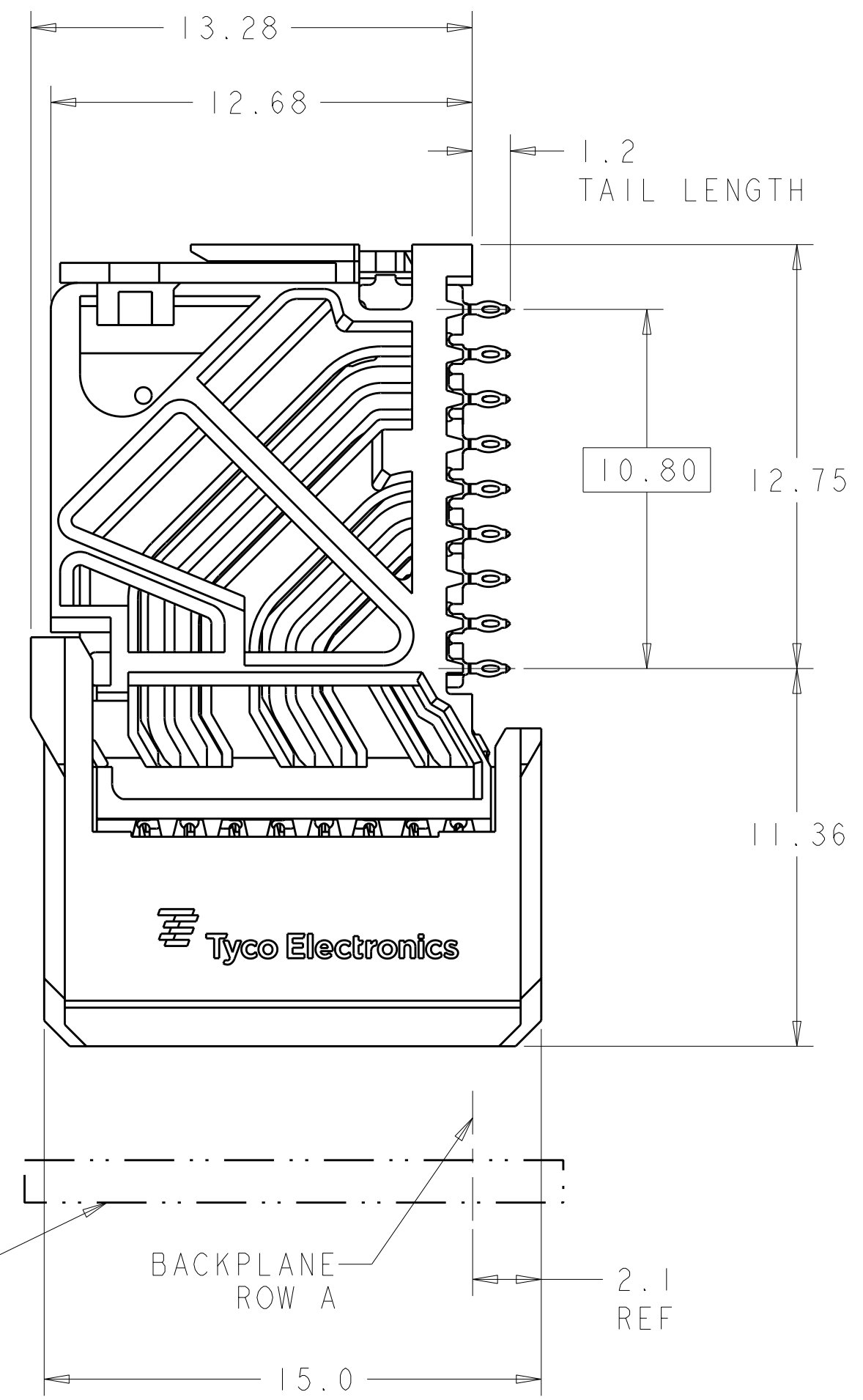
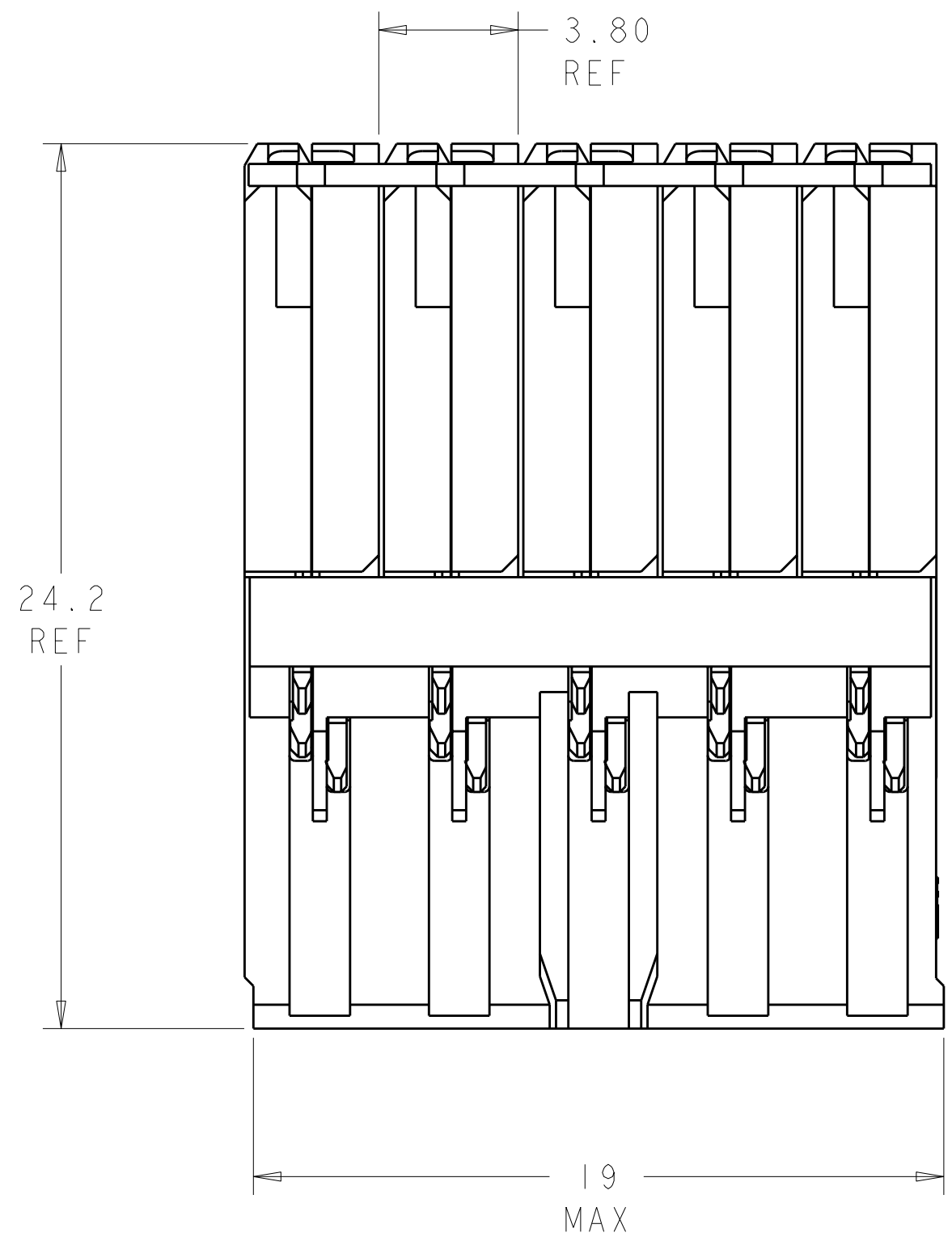
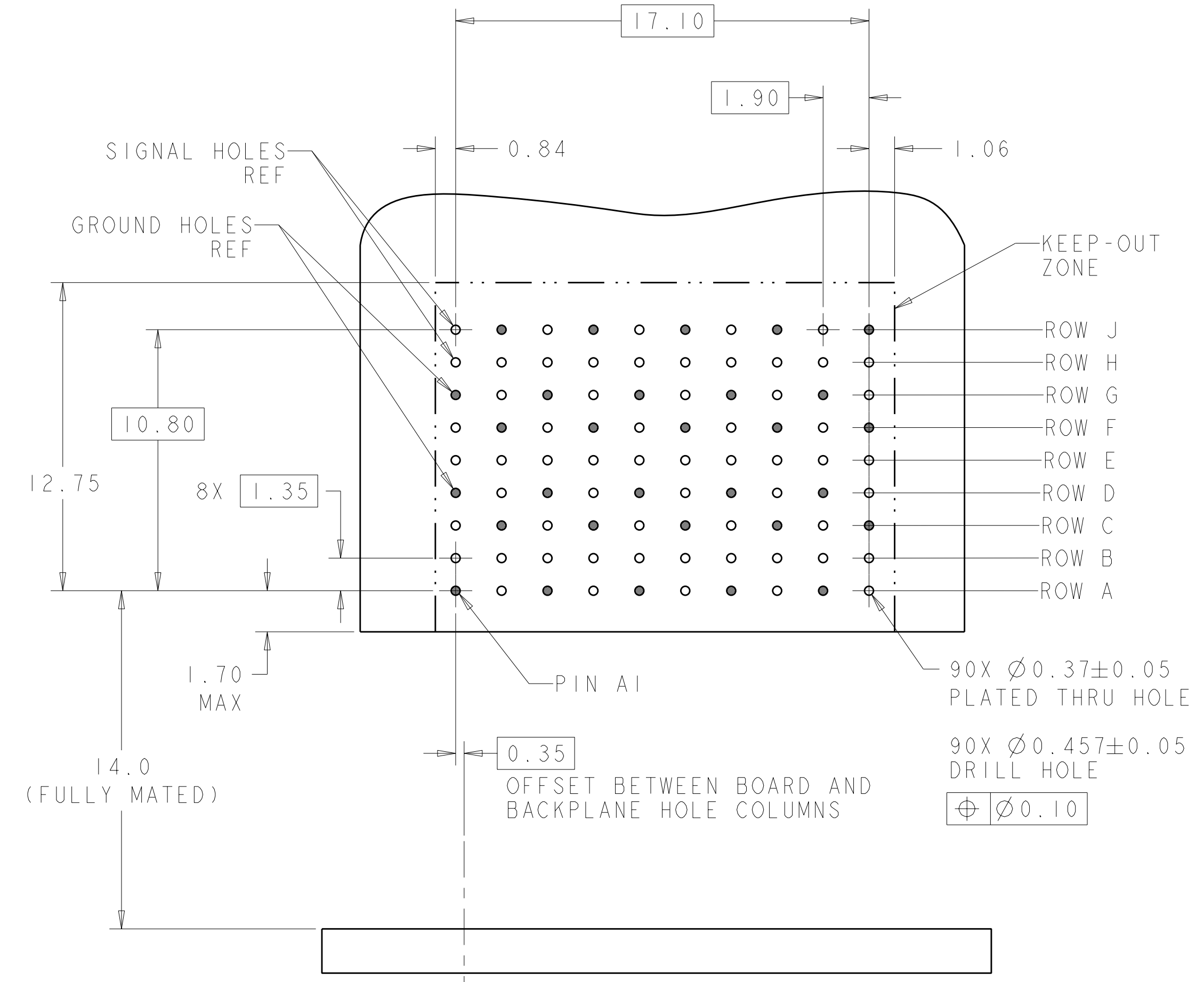
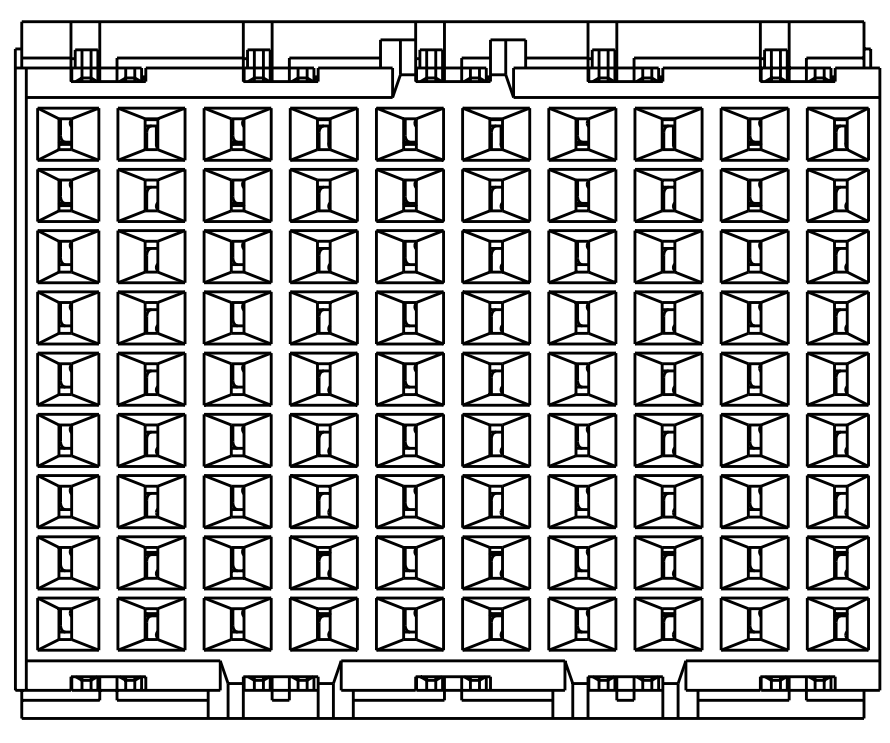
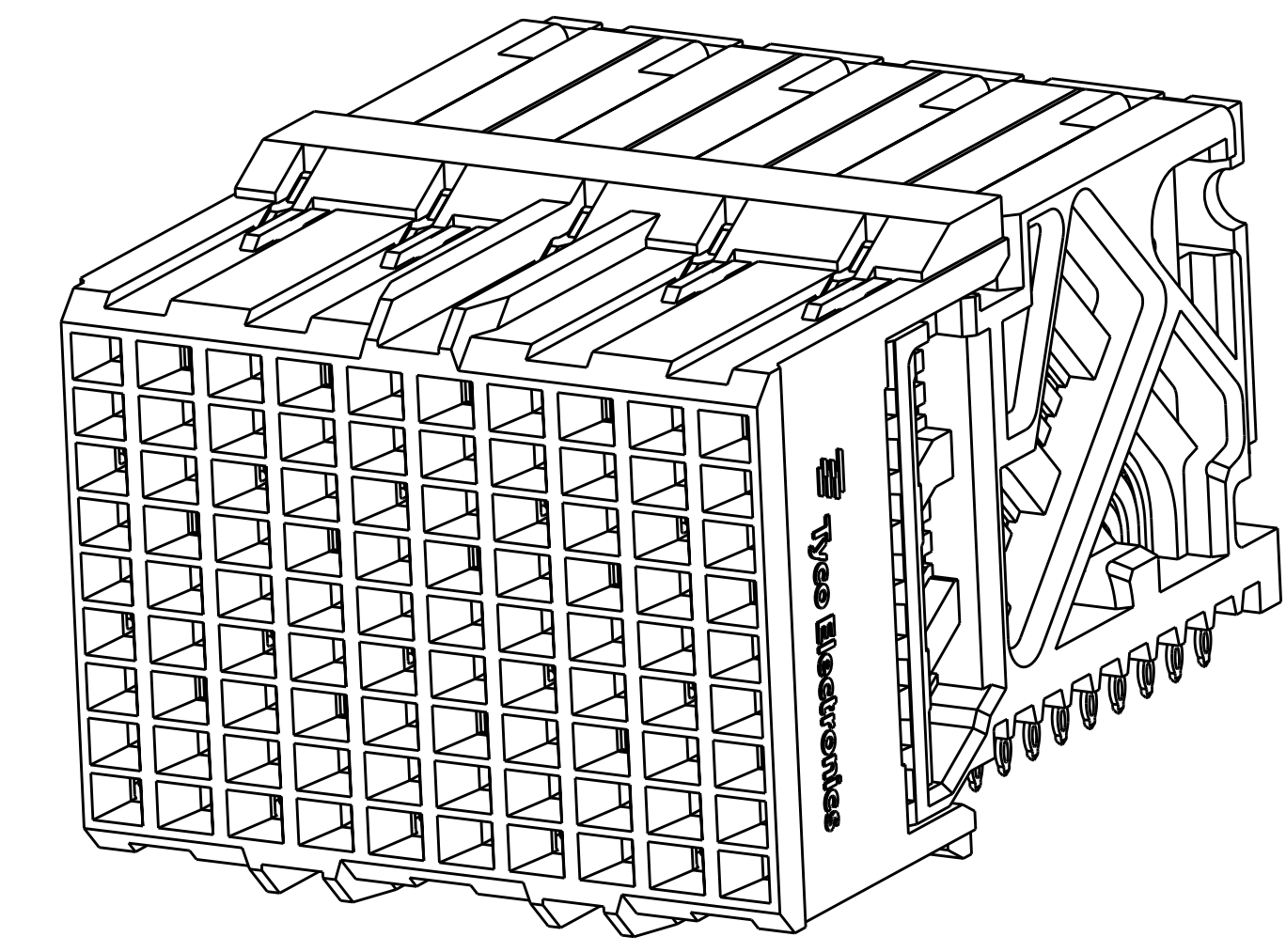


LOC	DIST	REVISIONS			
GP	00	REV	DATE	BY	APPD
B		REVISED PER ECO-09-025415	29 JUN 2010	DH	DD



- 1. MATERIAL:  
HOUSING: LCP, GLASS FILLED, UL94V-0.  
TERMINALS: HIGH PERFORMANCE COPPER ALLOY.
- 2. FINISH:  
30μ" SELECTIVE GOLD IN CONTACT AREA. SELECTIVE TIN ON PCB TAILS, NICKEL OVERALL.
- 3. EACH SIGNAL WAFER CONTAINS 2 COLUMNS OF TERMINALS.
- 4. THIS PART CONFORMS TO CLASS B REQUIREMENTS OF COSMETIC SPEC PS-45499-002.
- 5. FINISH:  
30μ" SELECTIVE GOLD IN CONTACT AREA. SELECTIVE TIN-LEAD ON PCB TAILS, NICKEL OVERALL.



RECOMMENDED PCB LAYOUT  
 MIN BOARD THICKNESS 1.0

5	2007705-5
2	2007705-1
FINISH	PART NUMBER

DIMENSIONS: mm 0 PLC ±0.25 1 PLC ±0.13 2 PLC ±0.13 3 PLC ±0.13 4 PLC ±0.13 ANGLES ±0.13		TOLERANCES UNLESS OTHERWISE SPECIFIED: FINISH: 2		DWN: B. MCMASTER 25MAR2008 CHK: D. DIXON 25MAR2008 APVD: D. DIXON 25MAR2008		Tyco Electronics Harrisburg, PA 17105-3608	
MATERIAL: 1		WEIGHT: -		NAME: IMPACT, 3 PAIR, DAUGHTERCARD, 10 COLUMN, UNGUIDED, 0.39 PTH, SIGNAL ASSEMBLY		RESTRICTED TO: -	
CUSTOMER DRAWING		SCALE: 6:1		SHEET: 1 OF 1		REV: B	