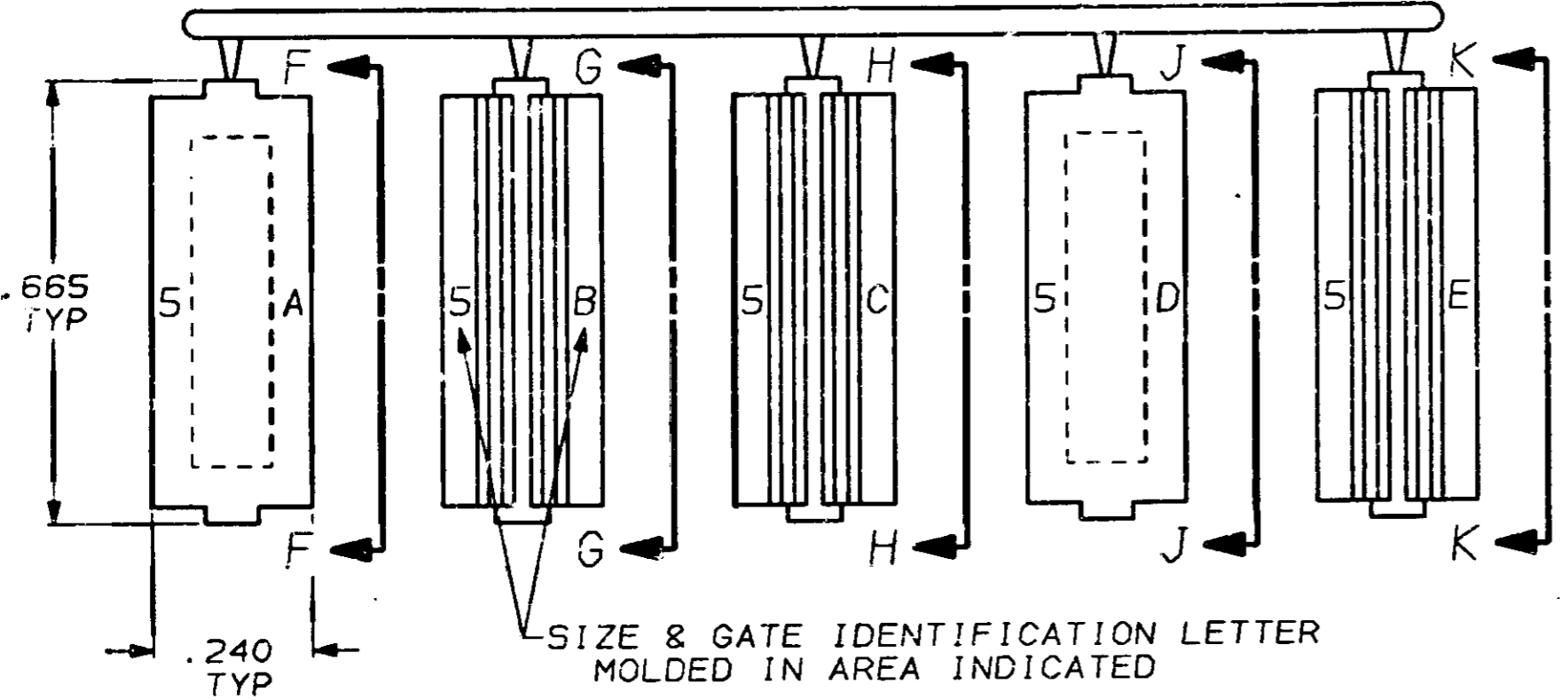
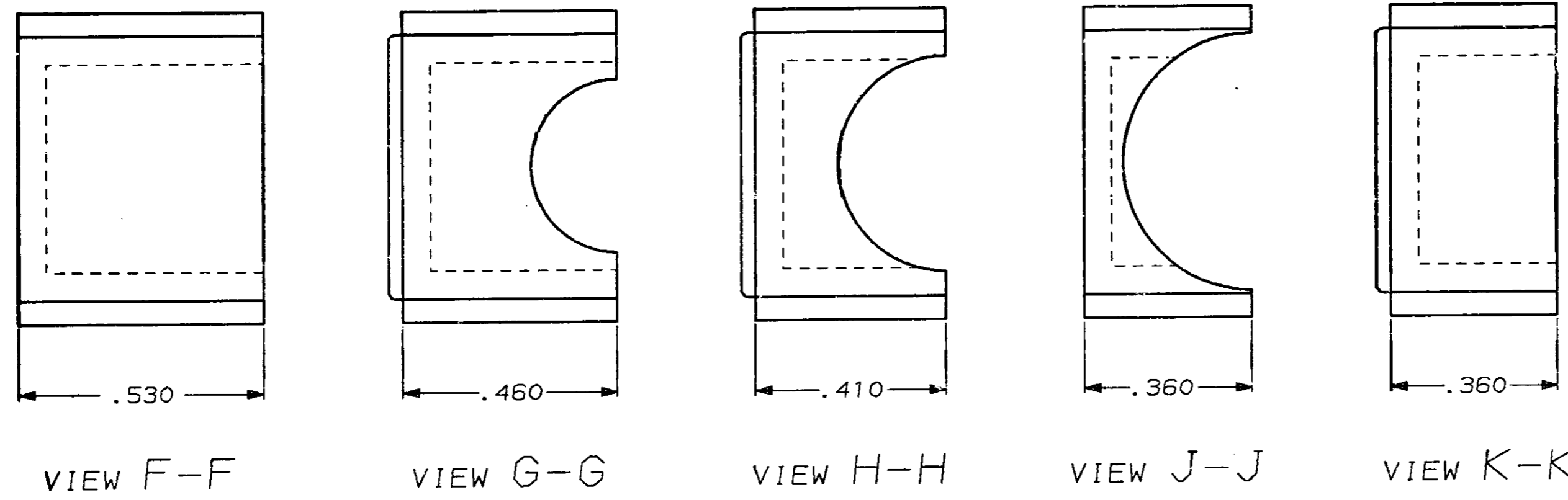


THIS DRAWING IS UNPUBLISHED. RELEASED FOR PUBLICATION
 COPYRIGHT © 1986 BY AMP INCORPORATED, HARRISBURG, PA. ALL INTERNATIONAL RIGHTS RESERVED. AMP PRODUCTS MAY BE COVERED BY U.S. AND FOREIGN PATENTS AND/OR PATENTS PENDING.

LOC		DIST		REVISIONS		SCRIPT	ON	DATE	APPROVED
BD	39	P	F	70NT	R				
				REVISED & REDRAWN		ECN-1435	8-12-86		



1. GATES ARE SHIPPED ATTACHED TO RUNNER.



GATE	CABLE DIA REF
5-E	.350
5-D	.490
5-C	.475
5-B	.395
5-A	

UNLESS OTHERWISE SPECIFIED DIMENSIONS ARE IN INCHES TOLERANCES ON :	DR - <i>Walden Morris</i>
2 PL DEC ± -	CHK - <i>Richard H. H.</i>
3 PL DEC ± .005	APPD - <i>Schiffert 9/16/86</i>
ANGLES ± -	APPD - <i>V. Kumar 1/16/88</i>
MATERIAL	PRODUCT SPEC
POLYPROPYLENE	-
COLOR: BLACK	-
FINISH	APPLICATION SPEC
-	-
-	WEIGHT
-	-

AS SHOWN	207478-1
REMARKS	PART NUMBER
AMP AMP INCORPORATED Harrisburg, Pa. 17105	
NAME	
CABLE GATES, FOR SIZE 5. 90° & 180° EXIT, AMPLIMITE®	
SIZE	FSCM NO
C	00779
DRAWING NO	207478
SCALE	NTS
SHEET	1 OF 1

207478