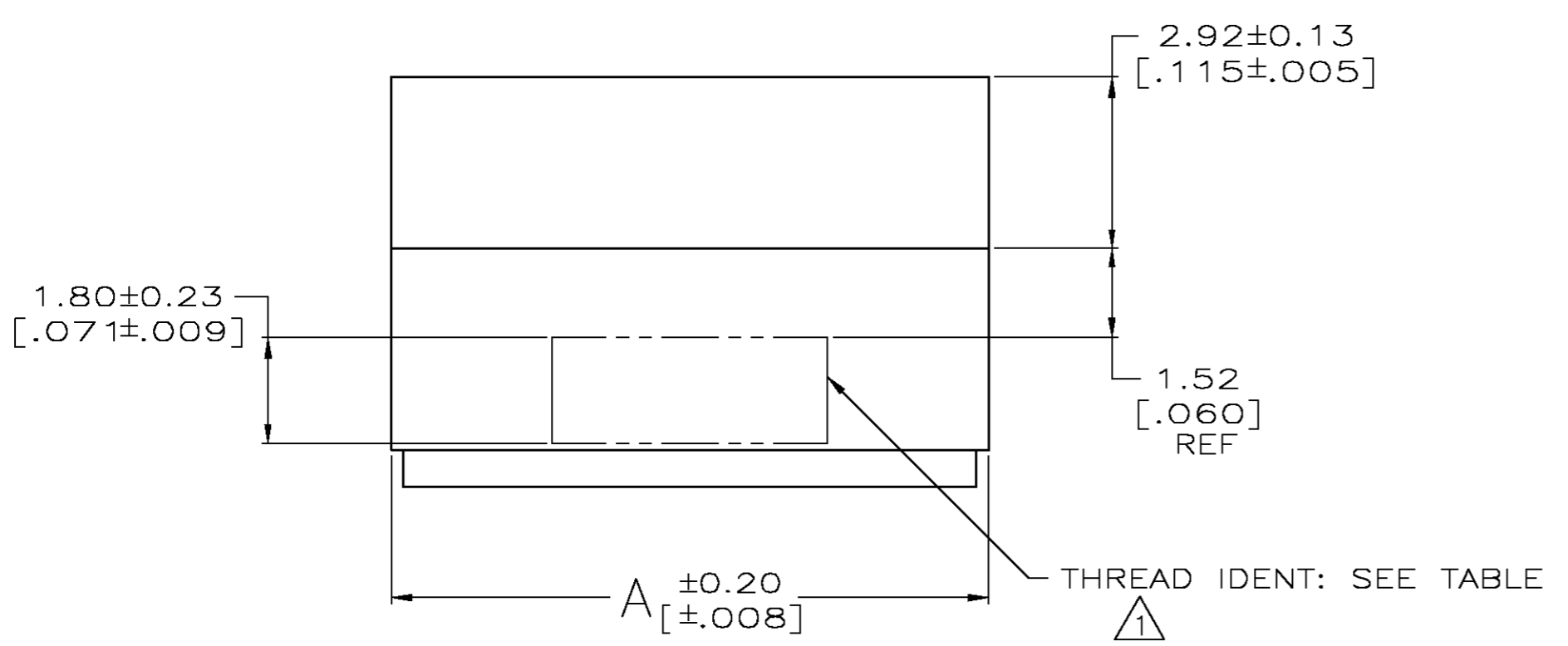
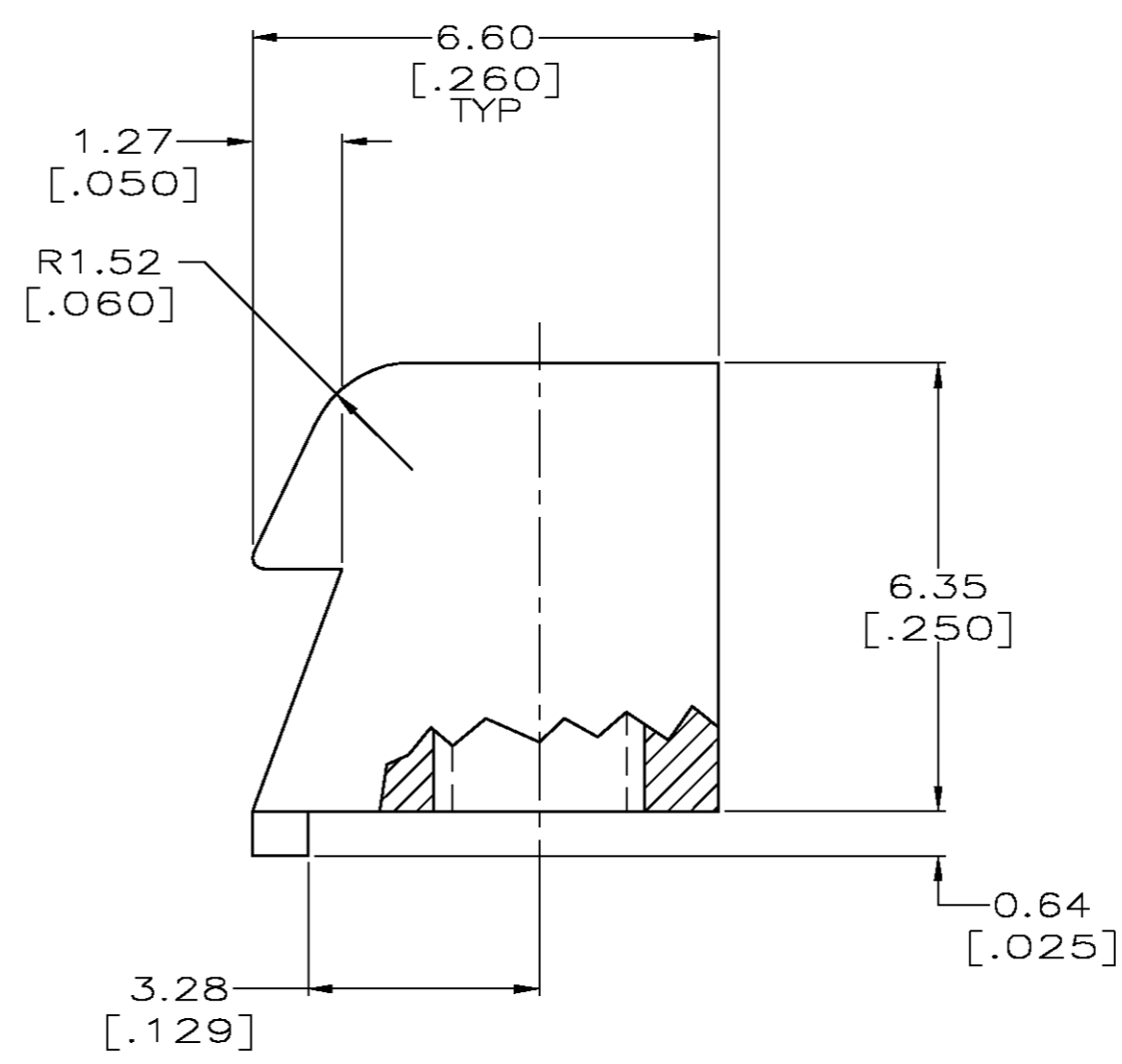
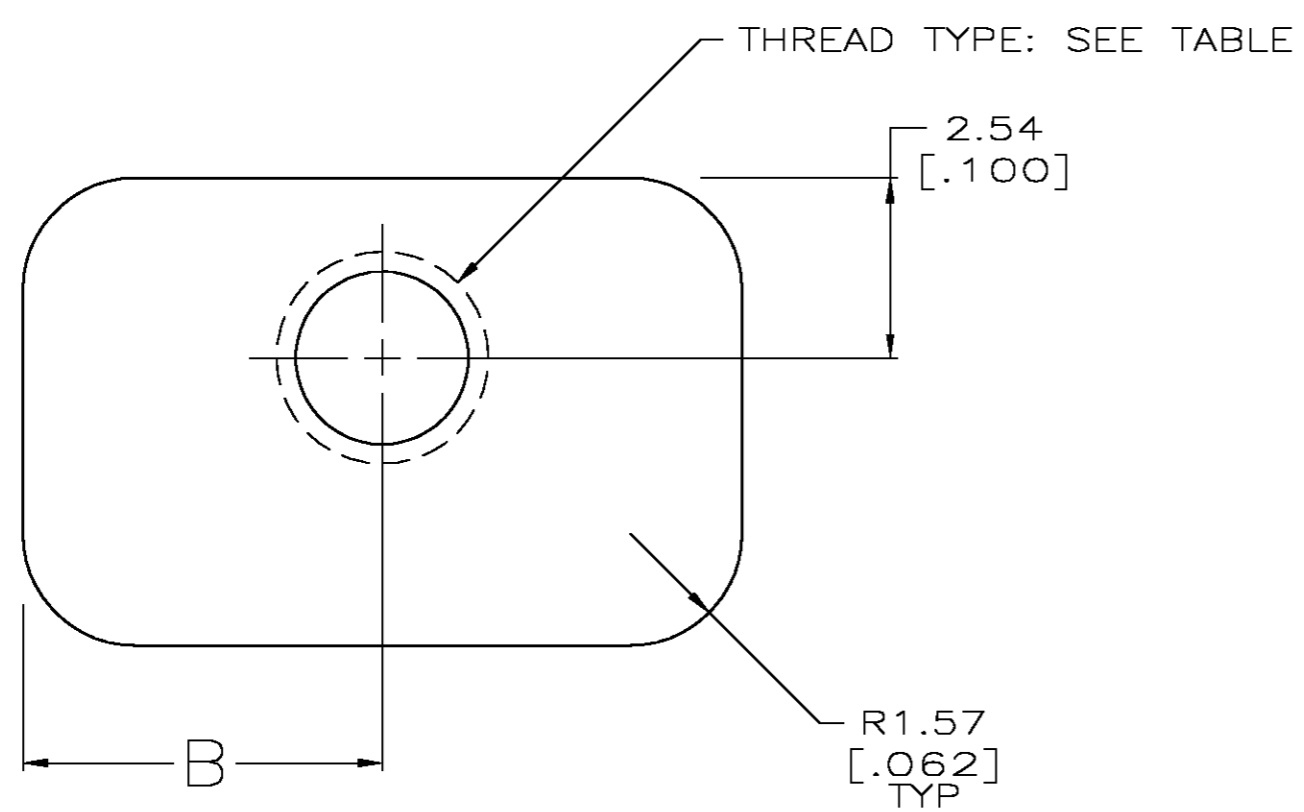


THIS DRAWING IS UNPUBLISHED. RELEASED FOR PUBLICATION
 © COPYRIGHT BY TYCO ELECTRONICS CORPORATION. ALL RIGHTS RESERVED.

LOC		DIST		REVISIONS			
P	LTR	DESCRIPTION	DATE	DWN	APVD		
GP	00	H	REVISD PER EC OS13-0370-03	10MARD4	BM	JG	



△ THREAD IDENTIFICATION LOCATED THIS AREA, 0.20 [.008] MAX RAISED CHARACTERS.

4-40	ONE KIT PER BAG	2	4-40 UNC-2B	6.73 [.265]	13.46 [.530]	1-208101-1
4-40	BULK PACKAGED	2	4-40 UNC-2B	5.08 [.200]	10.16 [.400]	208101-9
4-40	ONE KIT PER BAG	2	4-40 UNC-2B	5.08 [.200]	10.16 [.400]	208101-8
M3	BULK PACKAGED	2	M3 X 0.5-6H	5.08 [.200]	10.16 [.400]	208101-2
M3	ONE KIT PER BAG	2	M3 X 0.5-6H	5.08 [.200]	10.16 [.400]	208101-1
THREAD IDENT	PACKAGING	QUANTITY	THREAD TYPE	B	A	PART NUMBER

THIS DRAWING IS A CONTROLLED DOCUMENT.		DWN B. MCMASTER 10MARD4	Tyco Electronics Corporation Harrisburg, Pa 17105-3608																						
DIMENSIONS: mm[INCHES]		CHK C. ROHDE 10MARD4	NAME M. WALMSLEY 10MARD4																						
TOLERANCES UNLESS OTHERWISE SPECIFIED:		PRODUCT SPEC																							
<table border="0"> <tr><td>0 PLC</td><td>±</td><td>-</td></tr> <tr><td>1 PLC</td><td>±</td><td>-</td></tr> <tr><td>2 PLC</td><td>±</td><td>0.25 [.010]</td></tr> <tr><td>3 PLC</td><td>±</td><td>-</td></tr> <tr><td>4 PLC</td><td>±</td><td>-</td></tr> <tr><td>ANGLES</td><td>±</td><td>-</td></tr> <tr><td>FINISH</td><td>-</td><td>-</td></tr> </table>		0 PLC	±	-	1 PLC	±	-	2 PLC	±	0.25 [.010]	3 PLC	±	-	4 PLC	±	-	ANGLES	±	-	FINISH	-	-	APPLICATION SPEC		
0 PLC	±	-																							
1 PLC	±	-																							
2 PLC	±	0.25 [.010]																							
3 PLC	±	-																							
4 PLC	±	-																							
ANGLES	±	-																							
FINISH	-	-																							
MATERIAL ZINC		WEIGHT -																							
		SIZE A2		CAGE CODE 00779																					
		DRAWING NO C-208101		RESTRICTED TO -																					
		CUSTOMER DRAWING		SCALE 10:1																					
		SHEET 1 OF 1		REV H																					