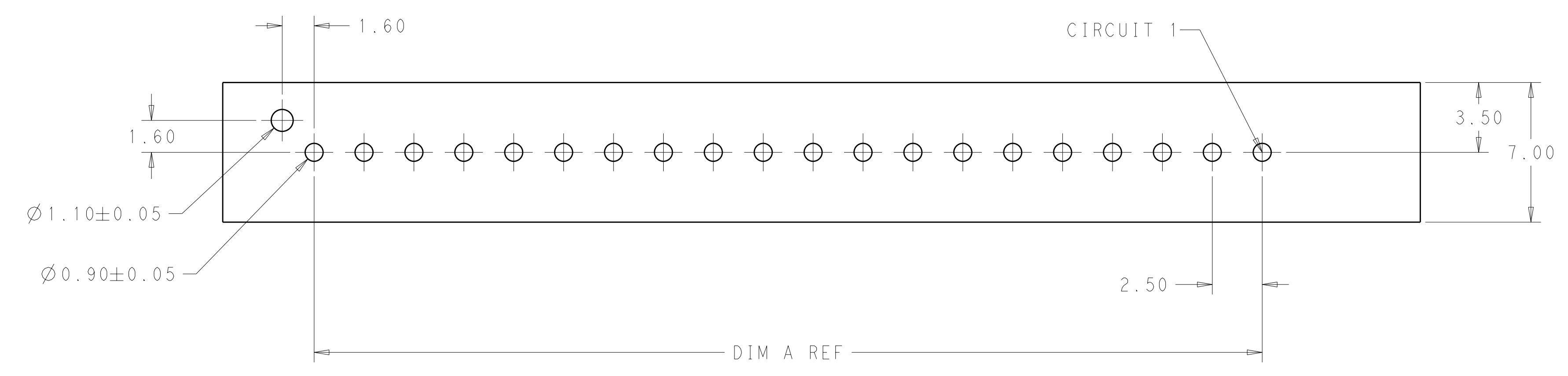
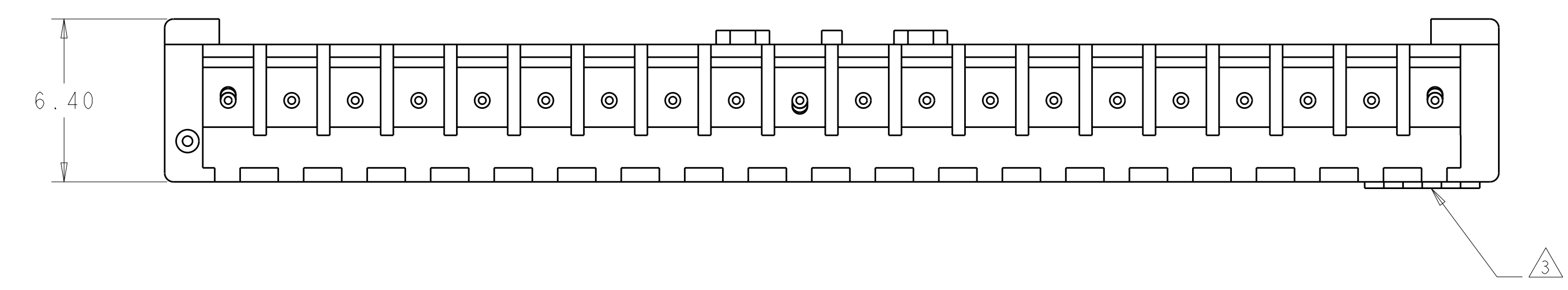
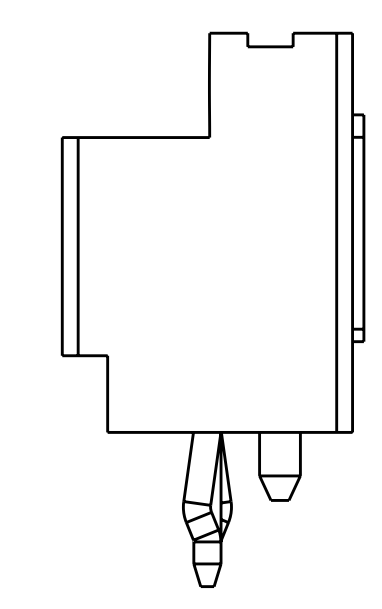
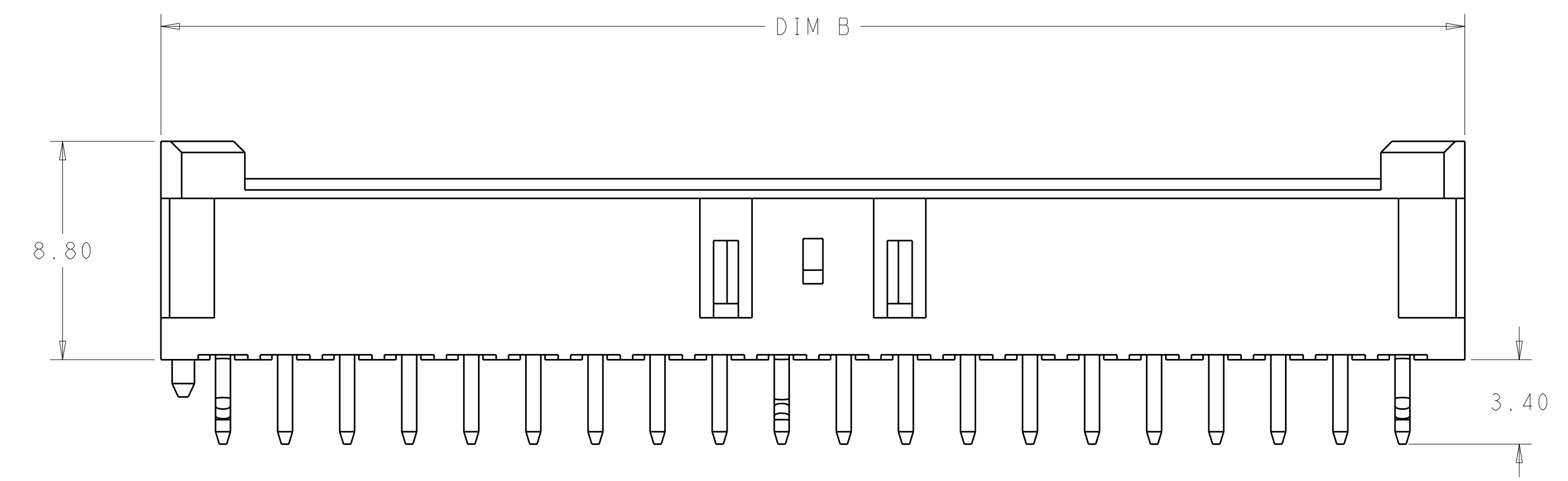
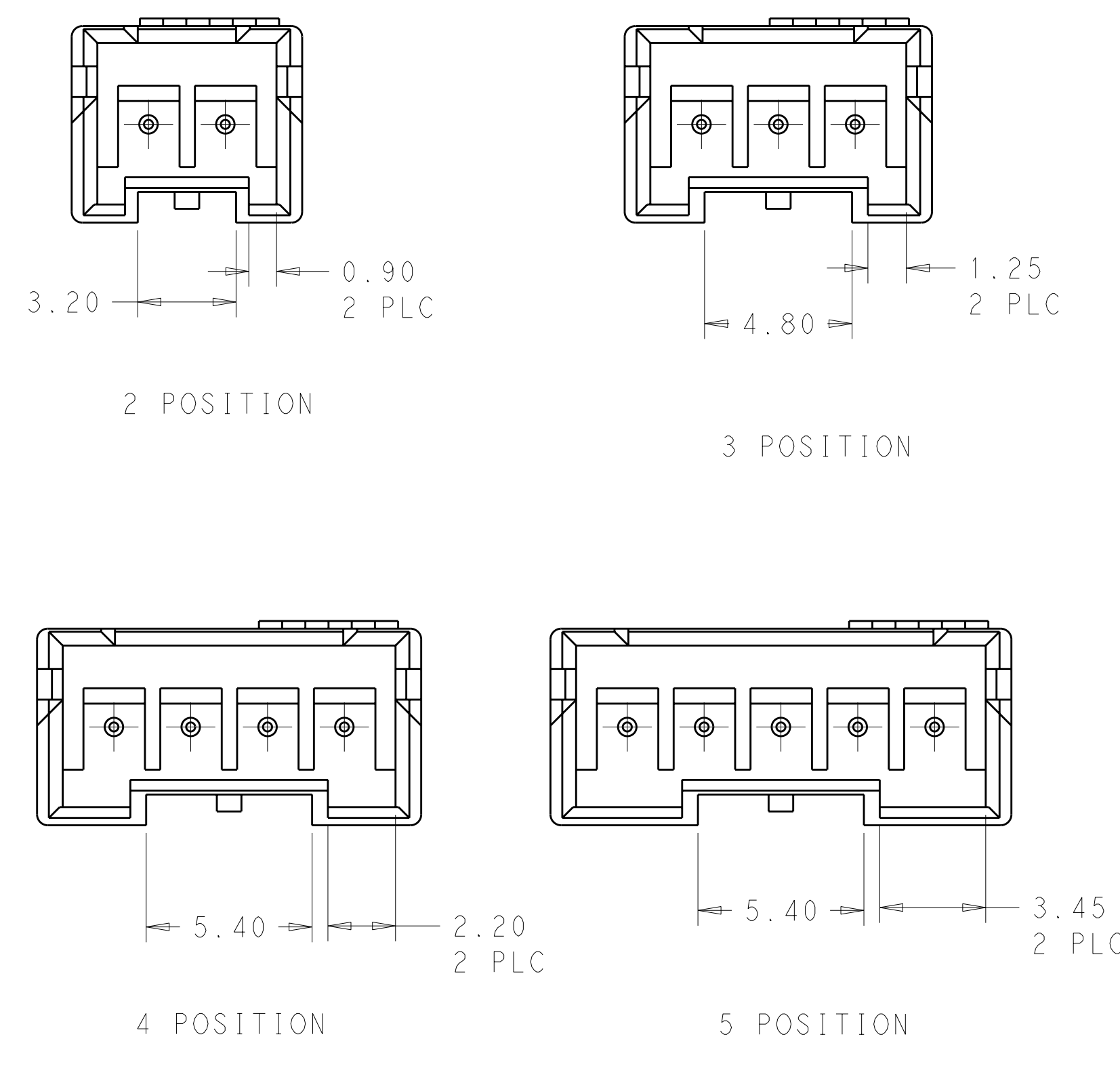
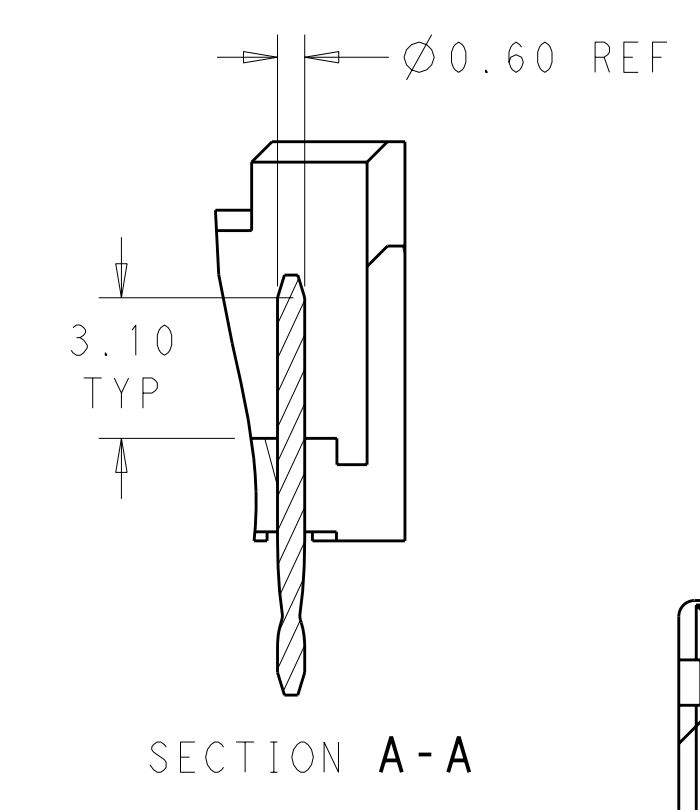
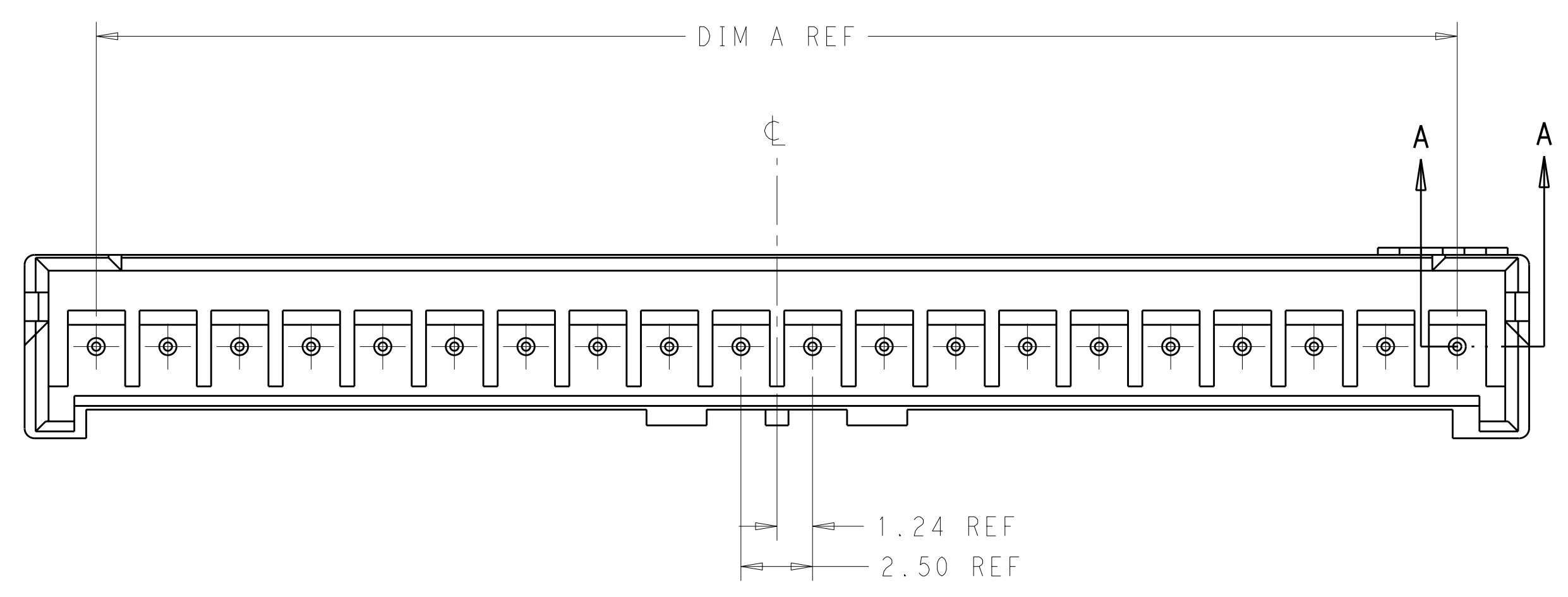


LOC		DIST		REVISIONS			
P	LTB	DESCRIPTION	DATE	DWN	APVD		
1	DRAWN		19JAN2010	DH	JE		



- NOTES:
- MATERIAL:
  - 1. HOUSING: GLASS-FILLED PA66, NATUARAL, UL94V-0
  - 2. TERMINAL: BRASS, 50µ" MIN NICKEL UNDER PLATING, 80µ" MIN TIN ON PLATING CONTACT AREA.
  - 3. TE LOGO ON SIDE OF PART IN APPROXIMATE LOCATION

20, 10, 1	52.5	47.5	20	2-2132230-0
19, 10, 1	50.0	45.0	19	1-2132230-9
18, 9, 1	47.5	42.5	18	1-2132230-8
17, 9, 1	45.0	40.0	17	1-2132230-7
16, 8, 1	42.5	37.5	16	1-2132230-6
15, 8, 1	40.0	35.0	15	1-2132230-5
14, 7, 1	37.5	32.5	14	1-2132230-4
13, 7, 1	35.0	30.0	13	1-2132230-3
12, 6, 1	32.5	27.5	12	1-2132230-2
11, 6, 1	30.0	25.0	11	1-2132230-1
10, 5, 1	27.5	22.5	10	1-2132230-0
9, 5, 1	25.0	20.0	9	2132230-9
8, 4, 1	22.5	17.5	8	2132230-8
7, 4, 1	20.0	15.0	7	2132230-7
6, 1	17.5	12.5	6	2132230-6
5, 1	15.0	10.0	5	2132230-5
4, 1	12.5	7.5	4	2132230-4
3, 1	10.0	5.0	3	2132230-3
1, 2	7.5	2.5	2	2132230-2

KINK CIRCUIT LOCATION	DIM B	DIM A	POSN	PART NUMBER
20, 10, 1	52.5	47.5	20	2-2132230-0
19, 10, 1	50.0	45.0	19	1-2132230-9
18, 9, 1	47.5	42.5	18	1-2132230-8
17, 9, 1	45.0	40.0	17	1-2132230-7
16, 8, 1	42.5	37.5	16	1-2132230-6
15, 8, 1	40.0	35.0	15	1-2132230-5
14, 7, 1	37.5	32.5	14	1-2132230-4
13, 7, 1	35.0	30.0	13	1-2132230-3
12, 6, 1	32.5	27.5	12	1-2132230-2
11, 6, 1	30.0	25.0	11	1-2132230-1
10, 5, 1	27.5	22.5	10	1-2132230-0
9, 5, 1	25.0	20.0	9	2132230-9
8, 4, 1	22.5	17.5	8	2132230-8
7, 4, 1	20.0	15.0	7	2132230-7
6, 1	17.5	12.5	6	2132230-6
5, 1	15.0	10.0	5	2132230-5
4, 1	12.5	7.5	4	2132230-4
3, 1	10.0	5.0	3	2132230-3
1, 2	7.5	2.5	2	2132230-2

DIMENSIONS: mm TOLERANCES UNLESS OTHERWISE SPECIFIED: 9 PLC ±0.5 1 PLC ±0.13 5 PLC ±0.013 4 PLC ±0.001 ANGLES ±0.001 FINISH:		DWN: HUMBERT 19JAN2010 CHK: J. EARY 19JAN2010 APVD: J. EARY 19JAN2010 PRODUCT SPEC: - APPLICATION SPEC: - WEIGHT: - CUSTOMER DRAWING:	Tyco Electronics Corporation Harrisburg, PA 17105-3608 NAME: HEADER ASSEMBLY, VERTICAL, ECONOMY POWER, 2.5mm CENTERLINE SIZE: A1100779 CAGE CODE: C=2132230 SCALE: 6:1 SHEET: 1 OF 1 REV: 1
---	--	---	--