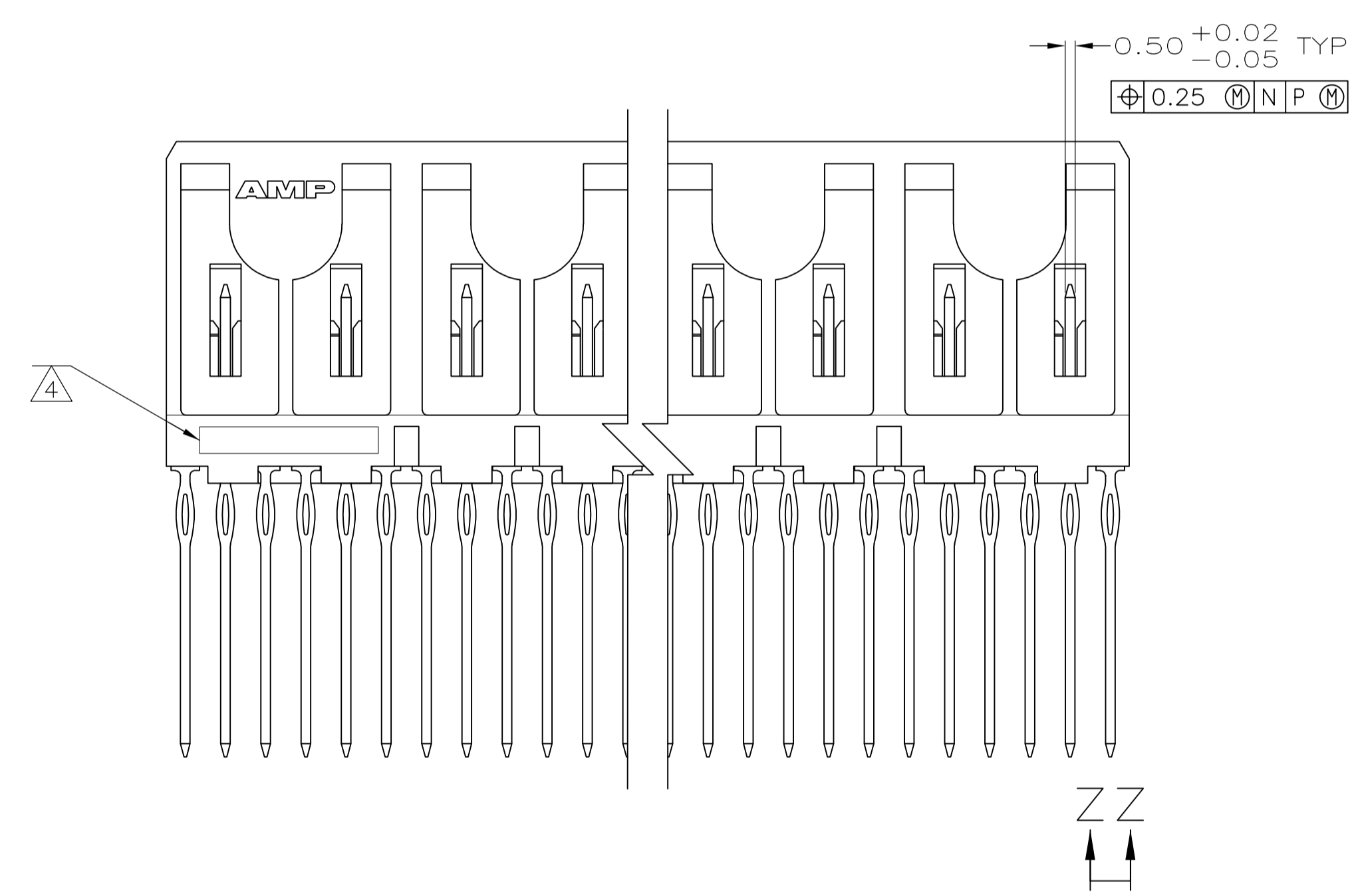
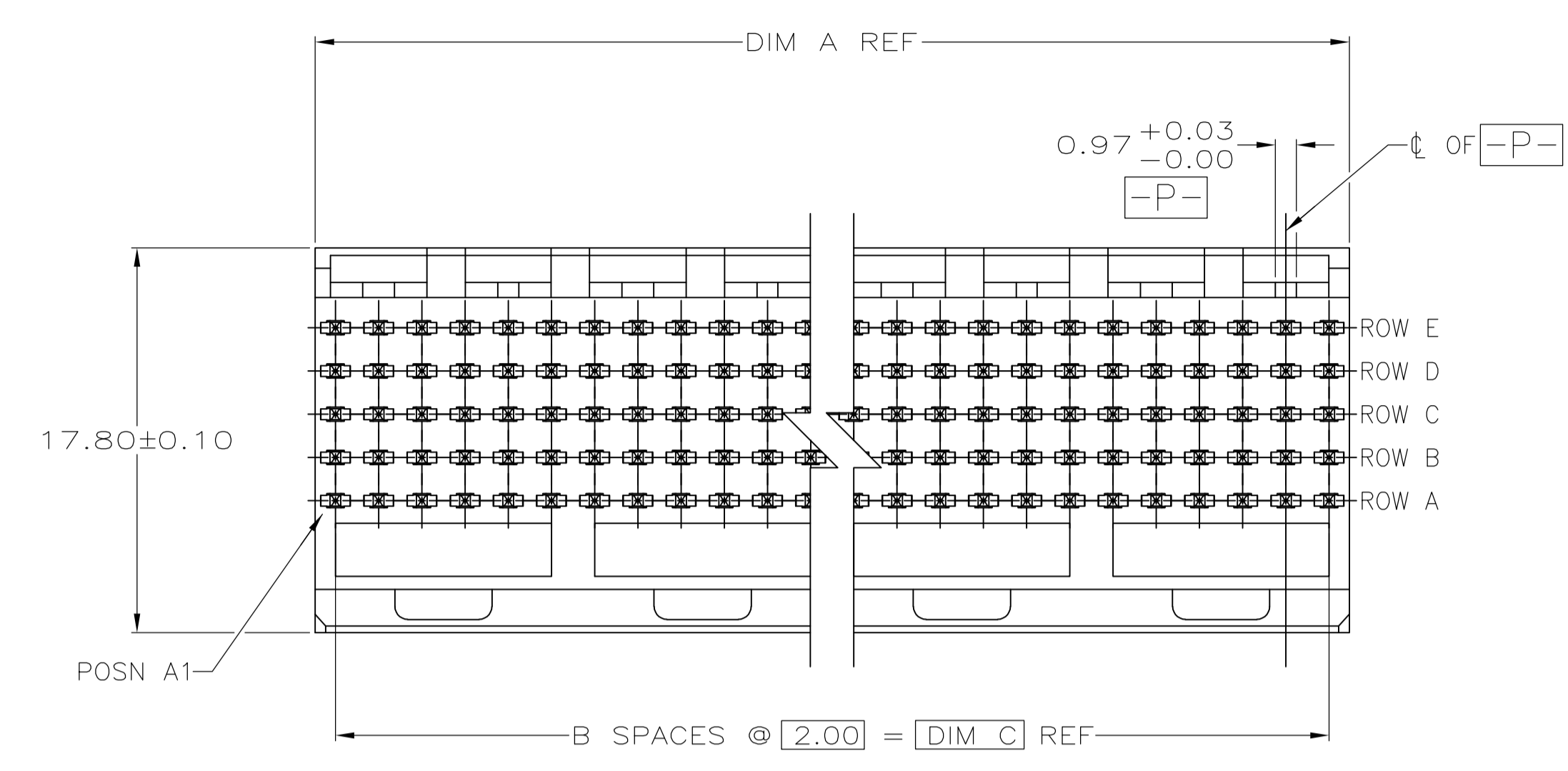
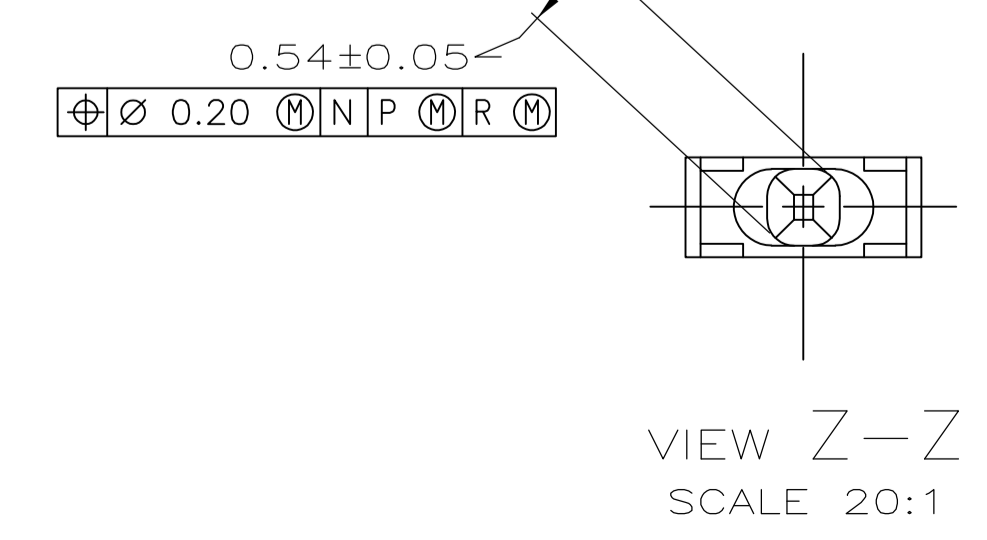
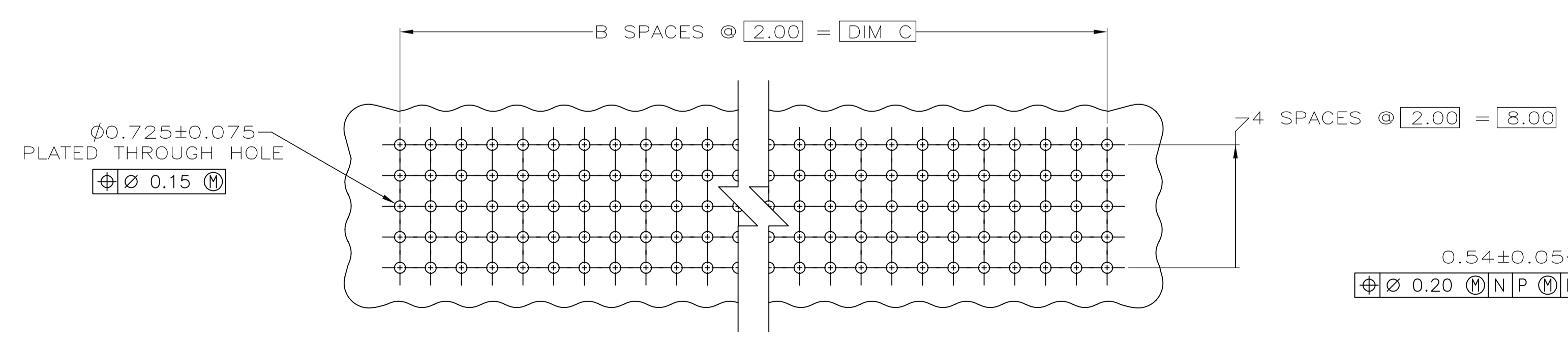
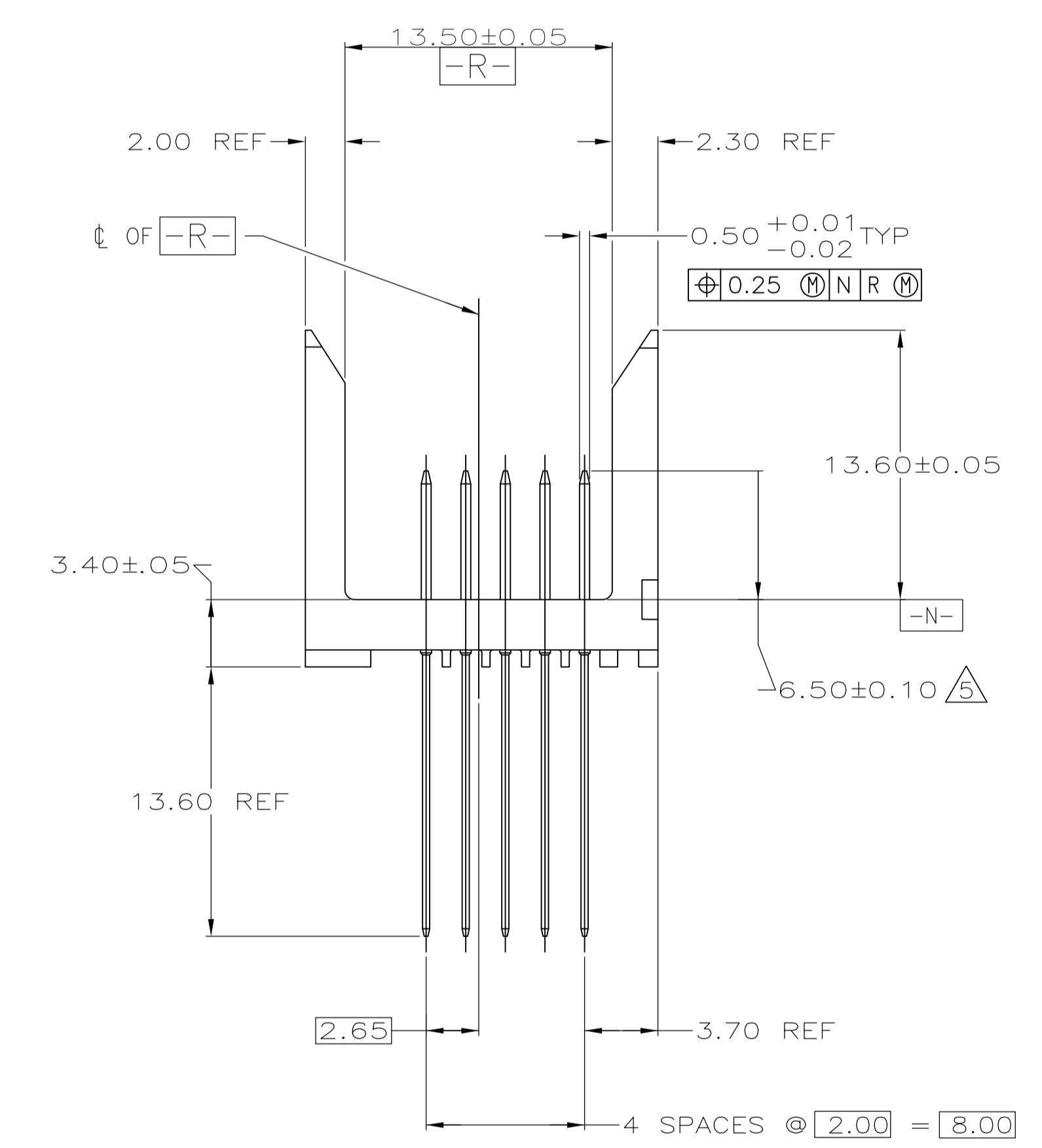


LOC		DIST		REVISIONS			
P	LTR	REV	PER	EC	DATE	DN	APVD
G		REV	PER	EC	0512-0414-03	20FEB04	NK RW
G1		REVISED	PER	ECO-09-020935		26AUG09	KK AEG



- △ HOUSING MATERIAL: LIQUID CRYSTAL POLYMER. COLOR: NATURAL.
- △ CONTACT MATERIAL: PHOSPHOR BRONZE.
- △ CONTACT FINISH:
 UNDERPLATE (ENTIRE CONTACT):
 0.00127 MIN NICKEL.
 ON MATING SURFACES:
 CONFORMS TO ALL TESTING SPECIFIED FOR TELCORDIA UNCONTROLLED ENVIRONMENT.
 ON LEADS
 0.0006 MIN TIN-LEAD OVER UNDERPLATE.
 LUBRICATION (ENTIRE CONTACT):
 SURFACE CONDITIONER PER AMP SPEC 112-1002 AFTER PLATING.

- △ PART MARKING LOCATED APPROXIMATELY AS SHOWN.
- △ DIMENSION APPLIES WHEN SEATED ON PRINTED CIRCUIT BOARD.
- △ OBSOLETE PARTS: OBSOLETE CIS STREAMLINING PER D.RENAUD/D.SINISI



DIM C	DIM B	DIM A	FINISH	NUMBER OF SIGNAL POSITIONS	PART NUMBER
94.00	47	95.88	△	240	223055-8
46.00	23	47.88	△	120	223055-4
					223055-3
22.00	11	23.88	△	60	223055-2
10.00	5	11.88	△	30	223055-1

THIS DRAWING IS A CONTROLLED DOCUMENT.		DIN T. SHUEY 02DEC97		Tyco Electronics Corporation	
DIMENSIONS: mm		CHK C. SCHMID 12DEC97		Harrisburg, Pa 17105-3608	
TOLERANCES UNLESS OTHERWISE SPECIFIED:		APVD G. SCHMID 12DEC97		NAME	
0. PLC	±	NAME		PIN ASSEMBLY, Z-PACK 2mm FB SIGNAL	
1. PLC	±	PRODUCT SPEC		VERTICAL 5 ROW, WITH PRESS FIT LEADS	
2. PLC	±	APPLICATION SPEC			
3. PLC	±	SIZE		A1	
4. PLC	±	CAGE CODE		00779	
ANGLES	±	DRAWING NO		223055	
	±	WEIGHT			
	±	CUSTOMER DRAWING		SCALE 4:1 SHEET 1 OF 1 REV G1	