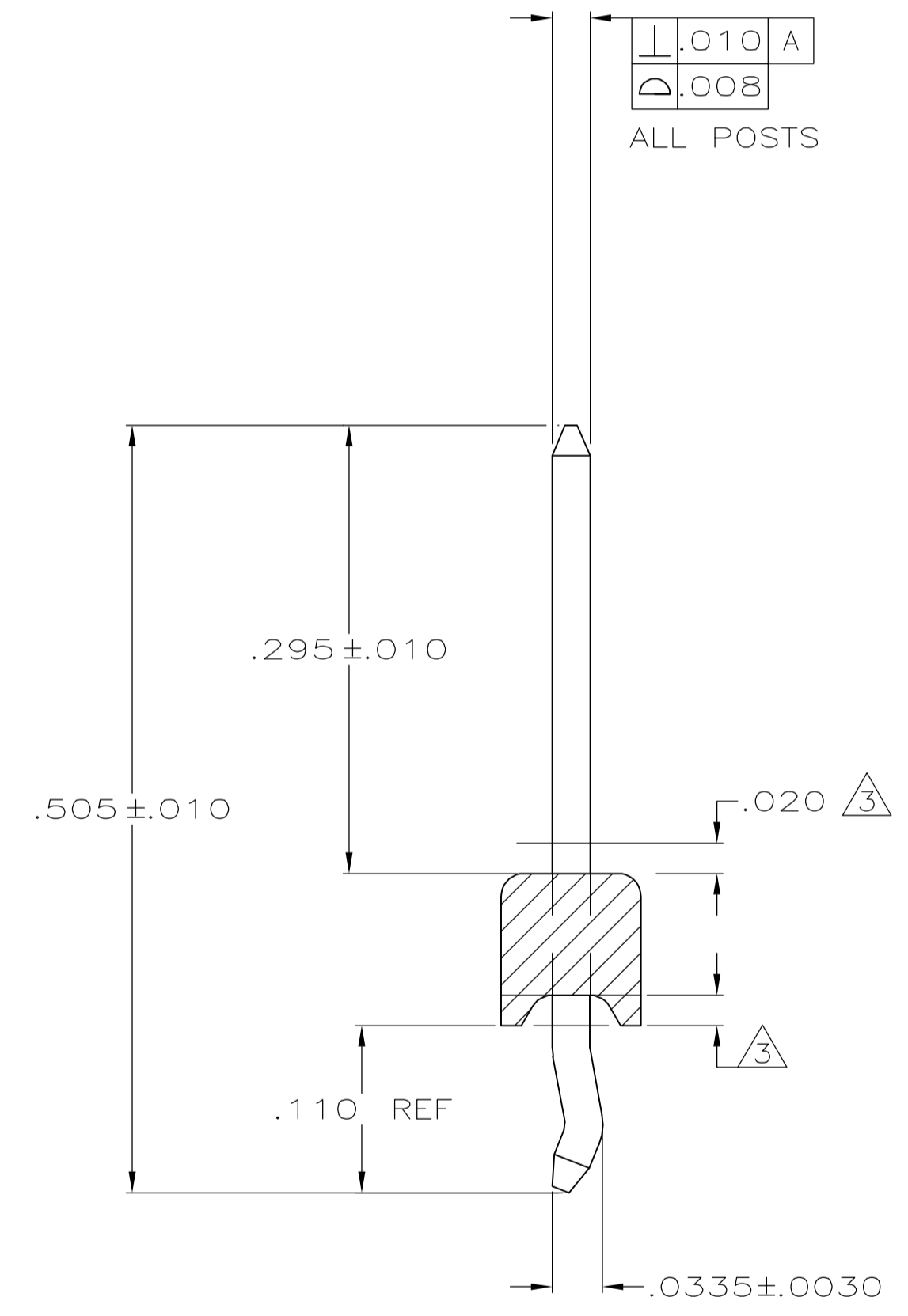
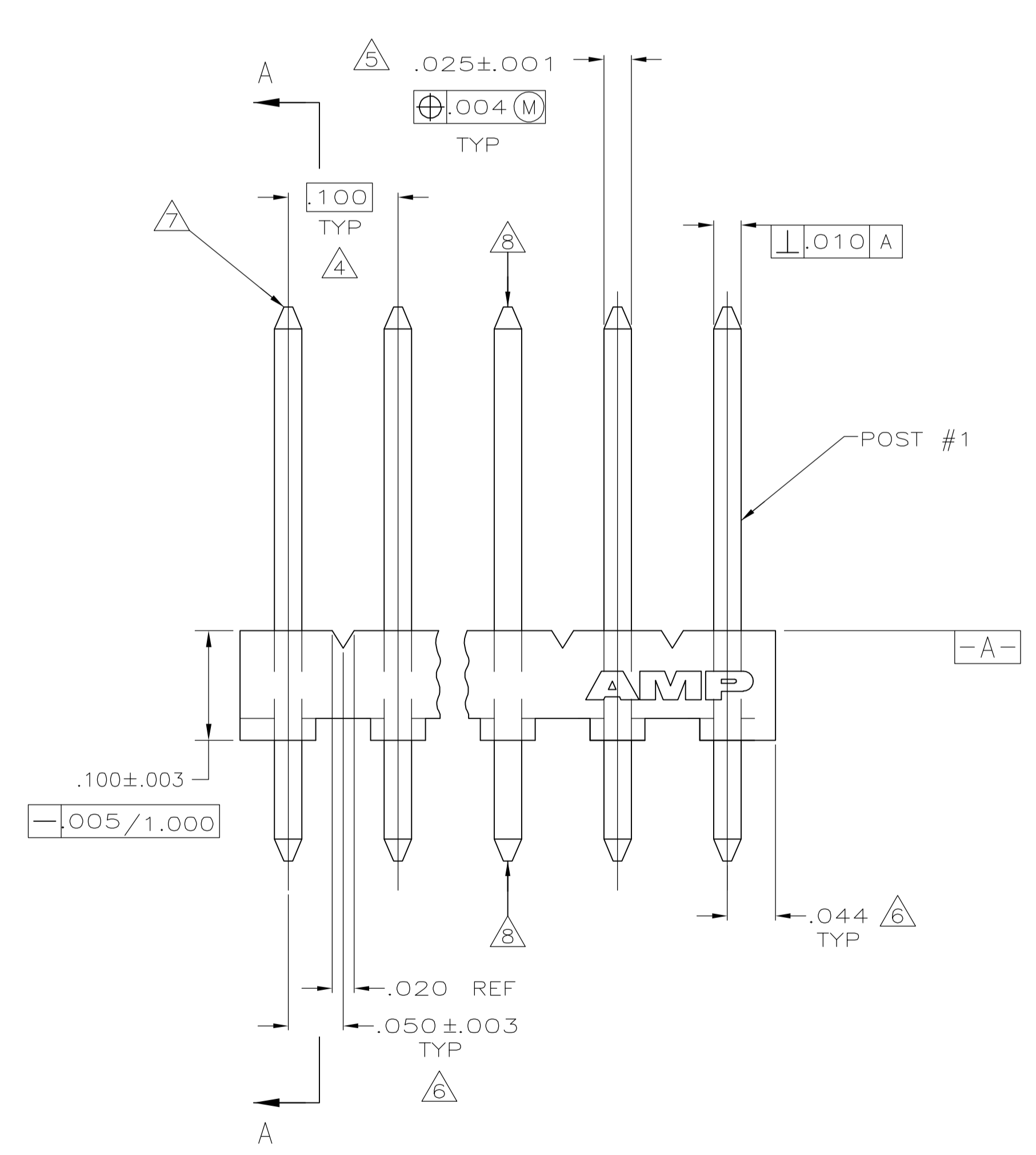
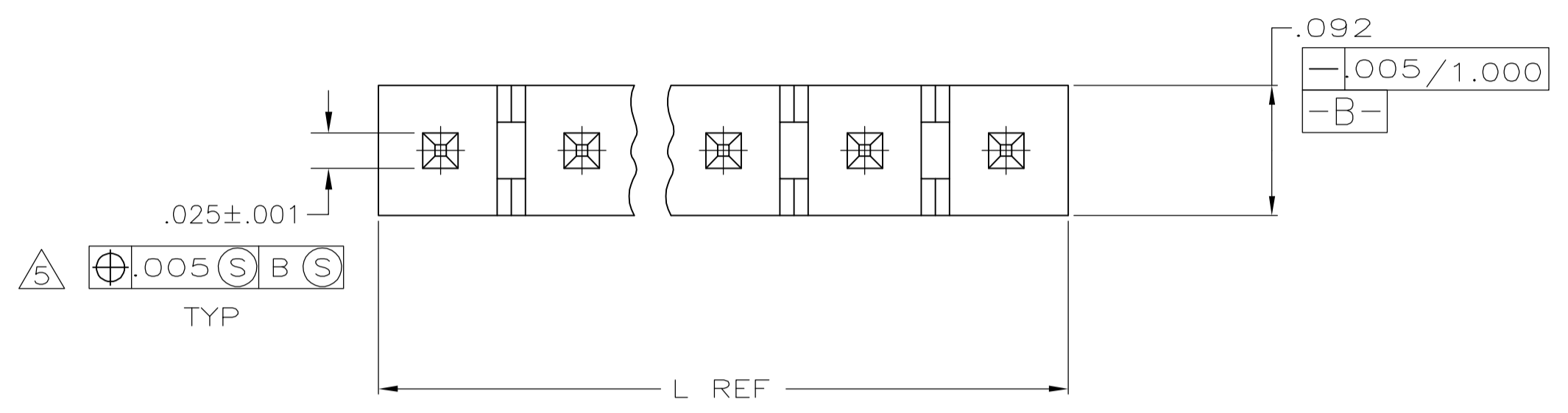
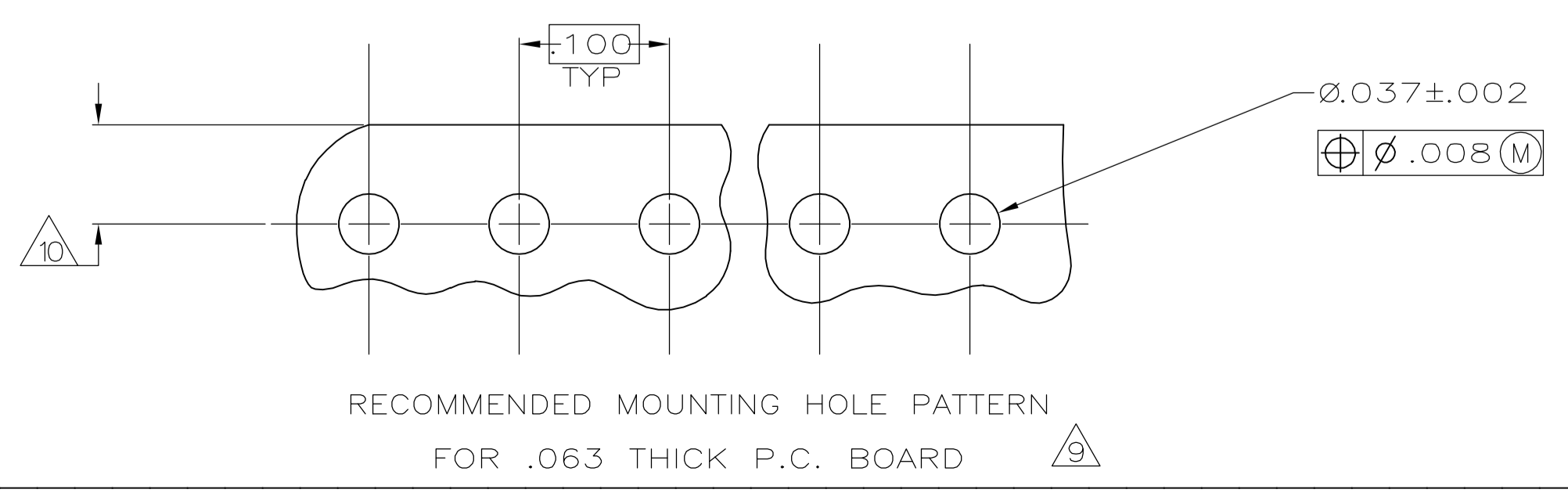


- 1 MATERIAL:
 BASE: THERMOPLASTIC POLYESTER, UL 94V-0 (NATURAL).
 POST: COPPER ALLOY (TIN OR TIN-LEAD PLATED, .000150 MIN THK).
2. PARTS MUST COMPLY WITH AMP SOLDERABILITY SPEC 109-11-2.
- 3 PLASTIC AROUND POST PERMISSIBLE IN THIS AREA ONLY.
- 4 DIMENSION APPLIES WHEN HEADER IS HELD FLAT.
- 5 MEASURED AT \square -A-
- 6 COORDINATE DIMENSION APPLIES FROM CENTER OF ACTUAL FEATURE.
- 7 RADIUS AT TIP PERMITTED, BOTH ENDS.
- 8 POST MUST WITHSTAND 3.0 LB (13 NEWTONS) MIN AXIAL FORCE IN BOTH DIRECTIONS WITHOUT DISLODGING.
- 9 TOLERANCES APPLY TO SOLDER SIDE OF BOARD.
- 10 DIMENSION SHOULD BE .060 MIN WHEN MATING WITH A MTA-100 CONNECTOR ASSEMBLY OR A CST-100 CONNECTOR.
11. AMP LOGO MAY OR MAY NOT APPEAR ON MOLDING HOUSING.



SECTION A-A
 RETENTIVE FEATURE IS FOR POSTS DESIGNATED IN TABLE ONLY



YES	1,14,28	28	2.788	70.82	28	5-644695-8
	1,14,27	27	2.688	68.28	27	5-644695-7
	1,13,26	26	2.588	65.74	26	5-644695-6
	1,13,25	25	2.488	63.20	25	5-644695-5
	1,12,24	24	2.388	60.66	24	5-644695-4
	1,12,23	23	2.288	58.12	23	5-644695-3
	1,11,22	22	2.188	55.58	22	5-644695-2
	1,11,21	21	2.088	53.04	21	5-644695-1
	1,10,20	20	1.988	50.50	20	5-644695-0
	1,10,19	19	1.888	47.96	19	4-644695-9
	1,9,18	18	1.788	45.42	18	4-644695-8
	1,9,17	17	1.688	42.88	17	4-644695-7
	1,8,16	16	1.588	40.34	16	4-644695-6
	1,8,15	15	1.488	37.80	15	4-644695-5
	1,7,14	14	1.388	35.26	14	4-644695-4
	1,7,13	13	1.288	32.72	13	4-644695-3
	1,6,12	12	1.188	30.18	12	4-644695-2
	1,6,11	11	1.088	27.64	11	4-644695-1
	1,10	10	.988	25.10	10	4-644695-0
	1,9	9	.888	22.56	9	3-644695-9
	1,8	8	.788	20.02	8	3-644695-8
	1,7	7	.688	17.48	7	3-644695-7
	1,6	6	.588	14.94	6	3-644695-6
	1,5	5	.488	12.40	5	3-644695-5
	1,4	4	.388	9.86	4	3-644695-4
	1,3	3	.288	7.32	3	3-644695-3
	1,2	2	.188	4.78	2	3-644695-2

SUPERSEDED BY 5-644695-8	1,14,28	28	2.788	70.82	28	2-644695-8
SUPERSEDED BY 5-644695-7	1,14,27	27	2.688	68.28	27	2-644695-7
SUPERSEDED BY 5-644695-6	1,13,26	26	2.588	65.74	26	2-644695-6
SUPERSEDED BY 5-644695-5	1,13,25	25	2.488	63.20	25	2-644695-5
SUPERSEDED BY 5-644695-4	1,12,24	24	2.388	60.66	24	2-644695-4
SUPERSEDED BY 5-644695-3	1,12,23	23	2.288	58.12	23	2-644695-3
SUPERSEDED BY 5-644695-2	1,11,22	22	2.188	55.58	22	2-644695-2
SUPERSEDED BY 5-644695-1	1,11,21	21	2.088	53.04	21	2-644695-1
SUPERSEDED BY 5-644695-0	1,10,20	20	1.988	50.50	20	2-644695-0
SUPERSEDED BY 4-644695-9	1,10,19	19	1.888	47.96	19	1-644695-9
SUPERSEDED BY 4-644695-8	1,9,18	18	1.788	45.42	18	1-644695-8
SUPERSEDED BY 4-644695-7	1,9,17	17	1.688	42.88	17	1-644695-7
SUPERSEDED BY 4-644695-6	1,8,16	16	1.588	40.34	16	1-644695-6
SUPERSEDED BY 4-644695-5	1,8,15	15	1.488	37.80	15	1-644695-5
SUPERSEDED BY 4-644695-4	1,7,14	14	1.388	35.26	14	1-644695-4
SUPERSEDED BY 4-644695-3	1,7,13	13	1.288	32.72	13	1-644695-3
SUPERSEDED BY 4-644695-2	1,6,12	12	1.188	30.18	12	1-644695-2
SUPERSEDED BY 4-644695-1	1,6,11	11	1.088	27.64	11	1-644695-1
SUPERSEDED BY 4-644695-0	1,10	10	.988	25.10	10	1-644695-0
SUPERSEDED BY 3-644695-9	1,9	9	.888	22.56	9	644695-9
SUPERSEDED BY 3-644695-8	1,8	8	.788	20.02	8	644695-8
SUPERSEDED BY 3-644695-7	1,7	7	.688	17.48	7	644695-7
SUPERSEDED BY 3-644695-6	1,6	6	.588	14.94	6	644695-6
SUPERSEDED BY 3-644695-5	1,5	5	.488	12.40	5	644695-5
SUPERSEDED BY 3-644695-4	1,4	4	.388	9.86	4	644695-4
SUPERSEDED BY 3-644695-3	1,3	3	.288	7.32	3	644695-3
SUPERSEDED BY 3-644695-2	1,2	2	.188	4.78	2	644695-2

NO	1,14,28	28	2.788	70.82	28	2-644695-8
	1,14,27	27	2.688	68.28	27	2-644695-7
	1,13,26	26	2.588	65.74	26	2-644695-6
	1,13,25	25	2.488	63.20	25	2-644695-5
	1,12,24	24	2.388	60.66	24	2-644695-4
	1,12,23	23	2.288	58.12	23	2-644695-3
	1,11,22	22	2.188	55.58	22	2-644695-2
	1,11,21	21	2.088	53.04	21	2-644695-1
	1,10,20	20	1.988	50.50	20	2-644695-0
	1,10,19	19	1.888	47.96	19	1-644695-9
	1,9,18	18	1.788	45.42	18	1-644695-8
	1,9,17	17	1.688	42.88	17	1-644695-7
	1,8,16	16	1.588	40.34	16	1-644695-6
	1,8,15	15	1.488	37.80	15	1-644695-5
	1,7,14	14	1.388	35.26	14	1-644695-4
	1,7,13	13	1.288	32.72	13	1-644695-3
	1,6,12	12	1.188	30.18	12	1-644695-2
	1,6,11	11	1.088	27.64	11	1-644695-1
	1,10	10	.988	25.10	10	1-644695-0
	1,9	9	.888	22.56	9	644695-9
	1,8	8	.788	20.02	8	644695-8
	1,7	7	.688	17.48	7	644695-7
	1,6	6	.588	14.94	6	644695-6
	1,5	5	.488	12.40	5	644695-5
	1,4	4	.388	9.86	4	644695-4
	1,3	3	.288	7.32	3	644695-3
	1,2	2	.188	4.78	2	644695-2

LEADFREE	RETENTIVE POSITIONS	NO. OF POSTS	IN	MM	NO. OF CIRCUITS	PART NUMBER
			L			

THIS DRAWING IS A CONTROLLED DOCUMENT.

DIMENSIONS: INCHES

TOLERANCES UNLESS OTHERWISE SPECIFIED:

0 PLC	±	-
1 PLC	±	-
2 PLC	±	-
3 PLC	±	.005
4 PLC	±	-
ANGLES	±	-
FINISH	±	-

MATERIAL: \square -A-

FINISH: \square -A-

APPROVED: D. ROSSI

DATE: 27MAY2003

NAME: D. ROSSI

APPLICATION SPEC

SIZE: A1

SCALE: 10:1

SHEET: 1 OF 1

REV: E1

TYCO Electronics

Tyco Electronics Corporation

Harrisburg, PA 17105-3608

MTA-100 HEADER ASSEMBLY, NARROW .025 SQUARE STRAIGHT POST WITH RETENTIVE LEGS, TIN PLATED

00779

644695