

NOTES:

1. MATERIALS AND FINISHES:

BODY - BRASS (ASTM-B16 H02, C36000), NICKEL PLATING (.00008 THICK MIN.)
 CONTACT - BRASS (ASTM-B16 H02, C36000), GOLD PLATING (.00003 THICK MIN.)
 INSULATOR - PTFE PER ASTM D 1710 OR EQUIV.

2. ELECTRICAL:

A. IMPEDANCE: 50 OHM
 B. FREQUENCY RANGE: DC - 6 GHz
 C. VSWR(RETURN LOSS): 1.200(-20.8db)DC TO 3.0 GHz
 1.300(-17.9db)3.0 TO 6.0 GHz

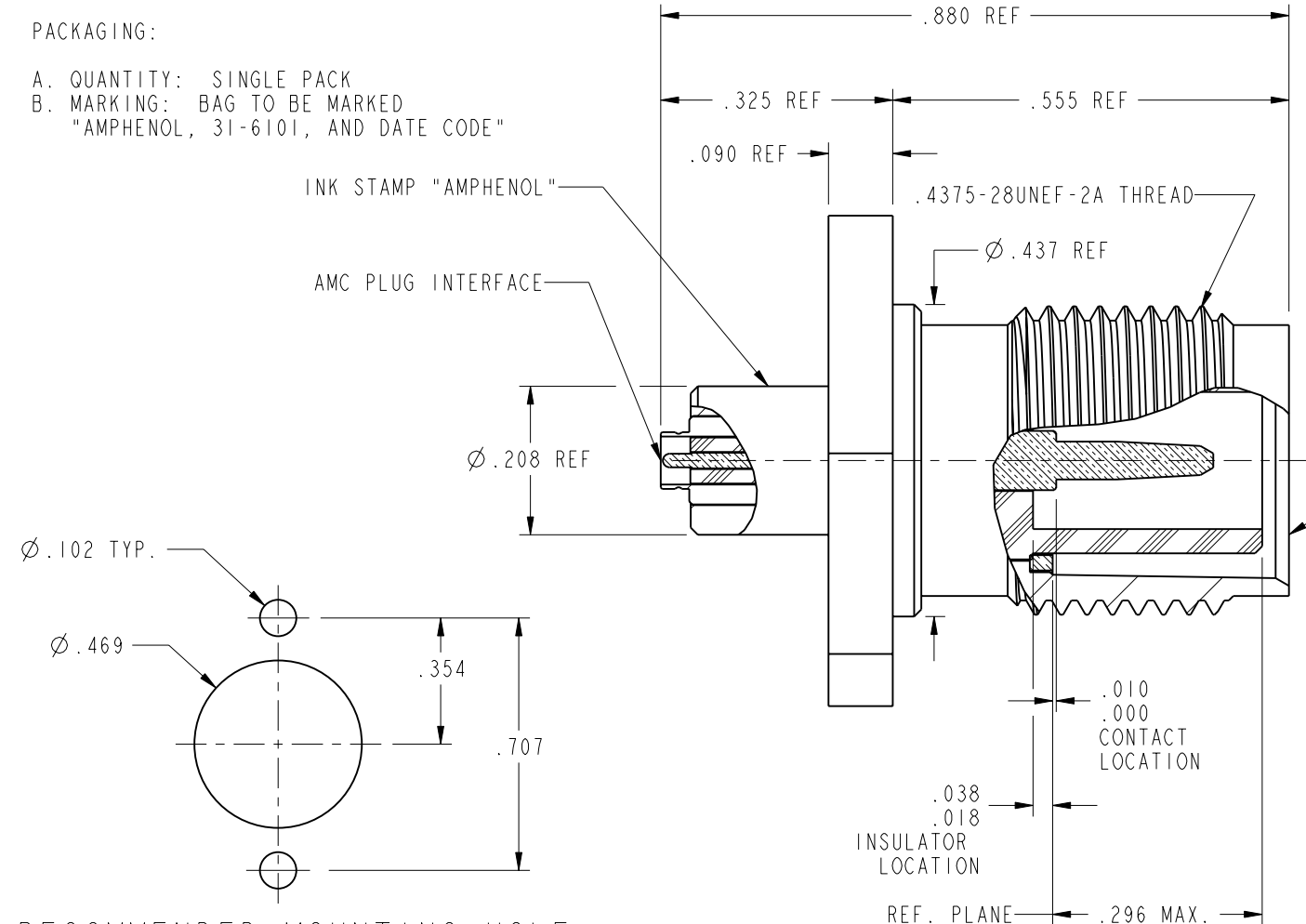
3. MECHANICAL:

A. DURABILITY: TNC, 500 CYCLES MIN.
 AMC, 30 CYCLES MIN.
 B. TEMPERATURE RANGE: -40° C TO 90° C

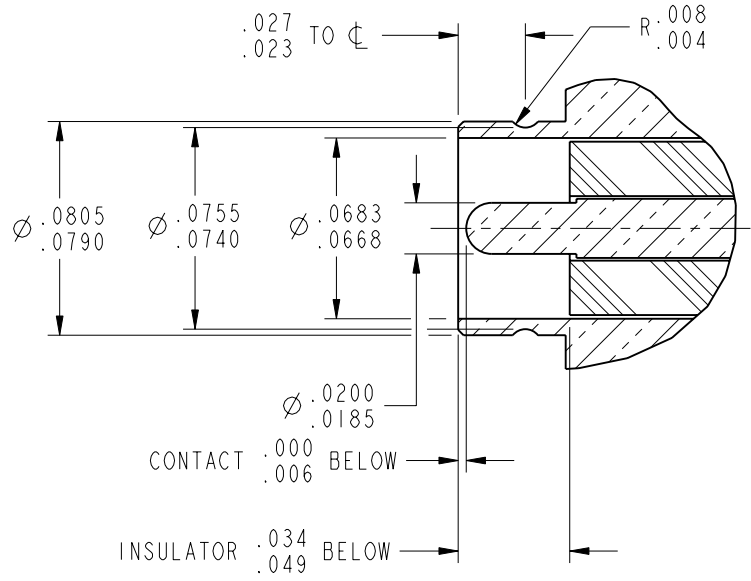
4. PACKAGING:

A. QUANTITY: SINGLE PACK
 B. MARKING: BAG TO BE MARKED
 "AMPHENOL, 31-6101, AND DATE CODE"

31-6101		REVISIONS			
DRAWING NO.	REV	DESCRIPTION	DATE	ECO	APPR
THIRD ANGLE PROJ.	A	RELEASE TO MFG	11/12/02	44203	GSA
	B	SEE SHEET 1	4/10/03	44427	GSA
	C	SEE SHEET 1	5/2/03	44447	CPM
	D	NOTE 2B WAS: DC-3 GHz, ADDED NOTE 2C	3/17/04	44862	HP

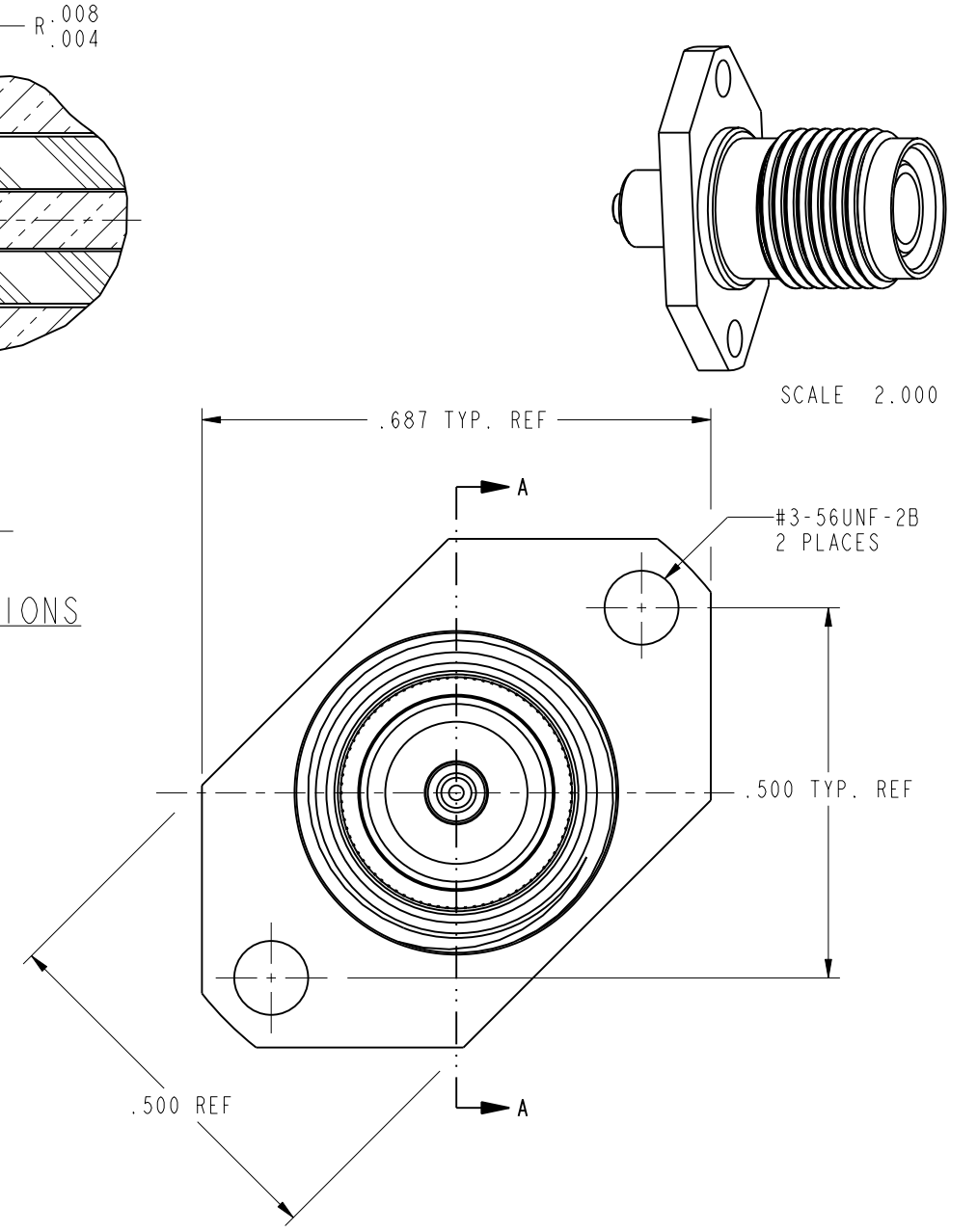


RECOMMENDED MOUNTING HOLE
 SCALE 2.000



AMC PLUG INTERFACE DIMENSIONS

SECTION A-A
 SCALE 14.000



CUSTOMER OUTLINE DRAWING
 ALL OTHER SHEETS ARE FOR INTERNAL USE ONLY

UNLESS OTHERWISE SPECIFIED, DIMENSIONS ARE IN INCHES AND TOLERANCES ARE: 2 PLACE DECIMAL ±.015 (0,381 mm) 3 PLACE DECIMAL ±.005 (0,127 mm) ANGLES ± 1°	MATERIAL	DRAWN C. McGRATH	DATE 9/12/02	TITLE AMC PLUG TO TNC REVERSE POLARITY JACK PANEL ADAPTER		Amphenol RF Danbury, CT, USA Tainan, Taiwan Shenzhen, China www.amphenolrf.com	
	REFERENCE 611X-4061 EAR# 584 GEN# ASSYMI_UFL	ENGINEER G. ANTONINI	DATE 9/12/02				
NOTICE - These drawings, specifications, or other data (1) are, and remain the property of Amphenol Corp. (2) must be returned upon request; and (3) are confidential and not to be disclosed to any person other than those to whom they are given by Amphenol Corp. The furnishing of these drawings, specifications, or other data by Amphenol Corp., or to any other person to anyone for any purpose is not to be regarded by implication or otherwise in any manner licensing, granting rights or permitting such holder or any other person to manufacture, use or sell any product, process or design, patented or otherwise, that may in any way be related to or disclosed by said drawings, specifications, or other data.		APPROVED O. BARTHELMS	DATE 11/12/02	CODE ID 74868	DWG SIZE B	DRAWING NO. 31-6101	SCALE: 4.0:1
							SHEET 2 OF 2
		CAD FILE I:\TNC\31-6101					REV D