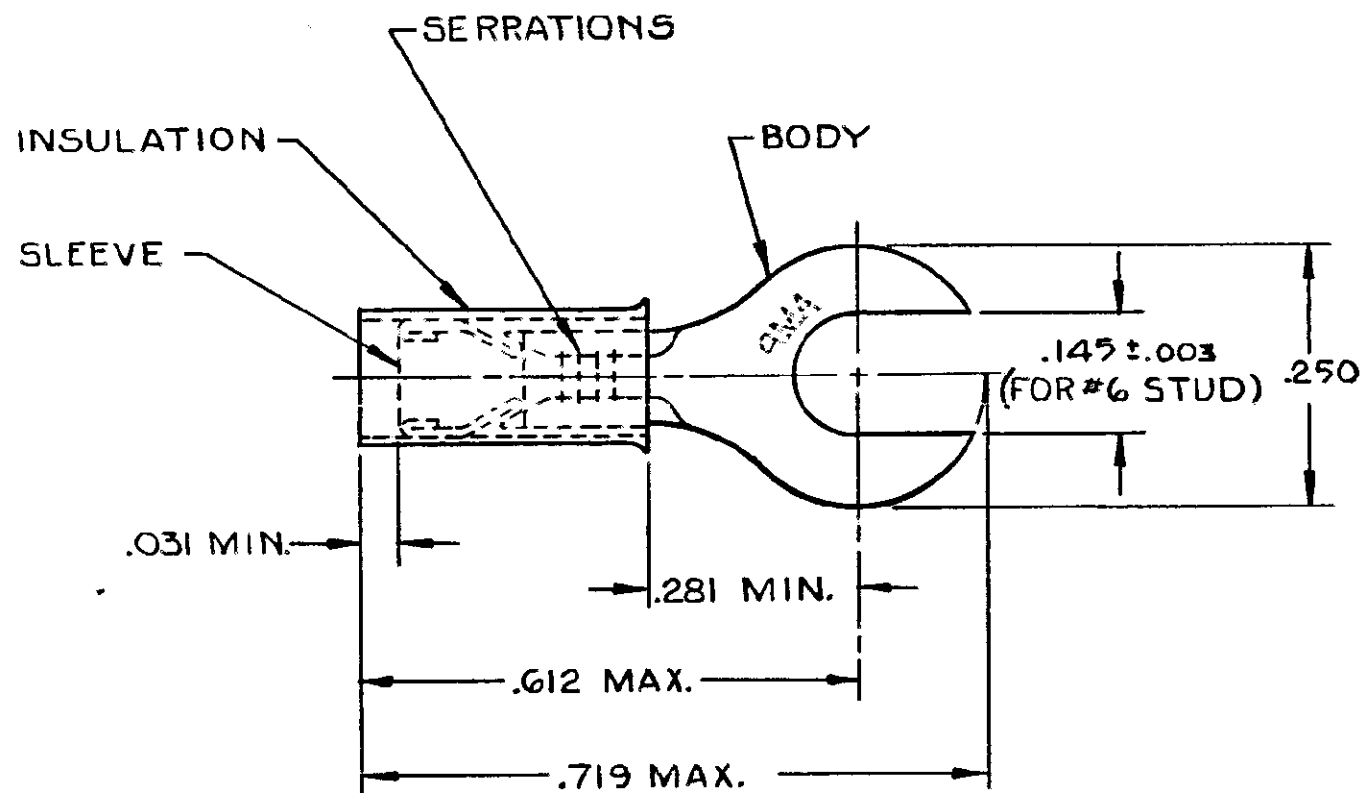


THIS DRAWING IS UNPUBLISHED. RELEASED FOR PUBLICATION . 19 .

© COPYRIGHT 19 BY AMP INCORPORATED, HARRISBURG, PA. ALL INTERNATIONAL RIGHTS RESERVED. AMP PRODUCTS MAY BE COVERED BY U.S. AND FOREIGN PATENTS AND/OR PATENTS PENDING.

REVISIONS						
P	F	ZONE	LTR	DESCRIPTION	DATE	APPROVED
✓	✓		K	REDRAWN-REVISED PER G-1479, G-1175, P87-0123 & P89-0124	2-13-86	Pm
✓	✓		L	OBSOLETE 2-4 & 2-5 / G-2393	9/24/87	SS Pm
✓	✓		M	OBSOLETE 323011 G-2340	9/25/87	PmF/ Pm
✓	✓		N	REV PER G-4732	11-8-88	Pm
✓	✓		P	REACT. 323011 PER G-4856	11/4/88	Pm
			R	REV / 0720-0835-95	ME 3-29-90	Pm

D
C
B
A



- 1 WIRE INSULATION DIA. = .050 - .082
- 2 TONGUE MATERIAL THK. = .018 ± .002
- 3 BODY FINISH = TIN PLATE (MIL-T-10727).000100 MIN THK

OBSOLETE	100	ON TAPE, 5M BOX	2-323011-3
OBSOLETE	1000	ON TAPE, 1G BOX	2-323011-4
	4000	ON TAPE, REEL	2-323011-2
		LOOSE PIECE	323011
	QTY.	DESCRIPTION	PART NO

UNLESS OTHERWISE SPECIFIED DIMENSIONS ARE IN INCHES. TOLERANCES ON: DECIMALS ± .004 ANGLES ± —	CONTRACT NO		AMP AMP INCORPORATED Harrisburg, Pa.	
	DR UTA / RFB 10-2-85			
MATERIAL INSULATION: NYLON - YELLOW BODY & SLEEVE: COPPER (ASTM B152)	APPD <i>M. J. ... 2-13-86</i>		NAME TERMINAL	
	APPD		P.I.D.G., SLOTTED RING TONGUE	
FINISH BODY: 3	DSGN APPD	SIZE B	FSCM NO 00779	DRAWING NO 323011
	OTHER APPD	SCALE NTS	SHEET 1 OF 1	