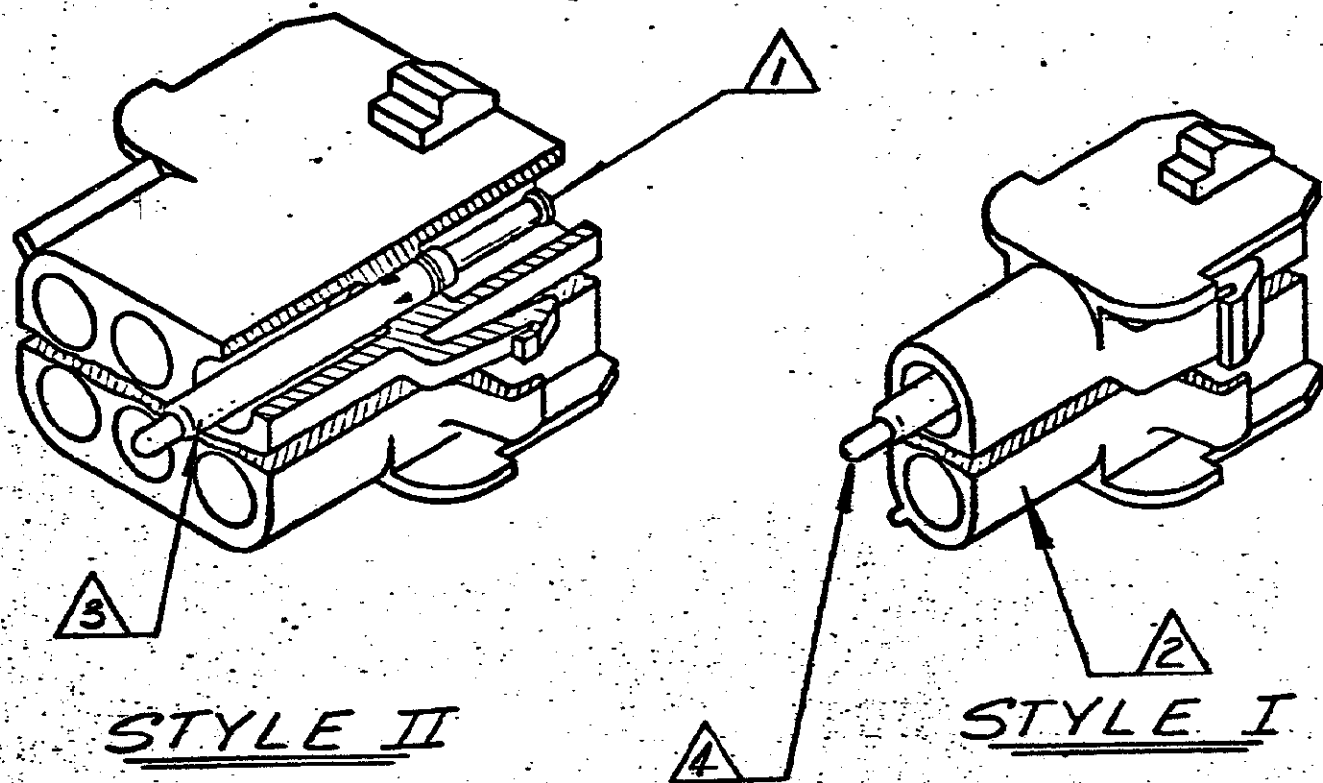


© COPYRIGHT 1975 BY AMP INCORPORATED, HARRISBURG, PA.
 ALL INTERNATIONAL RIGHTS RESERVED. AMP INCORPORATED PRODUCTS
 COVERED BY U. S. AND FOREIGN PATENTS AND/OR PATENTS PENDING.

| REVISIONS | | | | | |
|-----------|------|-----|----------------------------|---------|----------|
| REV | ZONE | LTR | DESCRIPTION | DATE | APPROVED |
| 1 | | A | REMOVED STICKER PER M-6833 | 23-82 | MSF/2.4 |
| 2 | | A1 | RESTORATION | 4-23-85 | ST/2.4 |
| 3 | | A2 | REVISED PER ECO-09-026346 | 27NOV09 | KK / AEG |



- 1 SPRING LOADED TEST PROBE
- 2 CAP HOUSING - FLAME RETARDANT NYLON (94V-0 RATING), FINISH-NATURAL
- 3 TEST PROBE RECEPTACLE MATERIAL-BRASS, FINISH- PRE-TIN
- 4 ACCEPTS UNIVERSAL MATE-N-LOK SOCKETS.
- 5 OBSOLETE PARTS: OBSOLETE CIS STREAMLINING PER D.RENAUD/D.SINISI

| 5 | STYLE | NO. OF CIRCUITS | PART NO |
|----------|-------|-----------------|-----------|
| OBSOLETE | II | 15 | 1350849-5 |
| | II | 12 | 1350849-2 |
| | II | 9 | 350849-9 |
| | II | 6 | 350849-6 |
| OBSOLETE | I | 5 | 350849-5 |
| | I | 4 | 350849-4 |
| | I | 3 | 350849-3 |
| | I | 2 | 350849-2 |

| | | | |
|---|------------------------------|---|---------------|
| UNLESS OTHERWISE SPECIFIED DIMENSIONS ARE IN INCHES. TOLERANCES ON: DECIMALS ± ANGLES ± | CONTRACT NO | AMP INCORPORATED Harrisburg, Pa. | |
| | MATERIAL | | |
| FINISH | CHK <i>E.C. ...</i> 8/28/75 | NAME UNIVERSAL MATE-N-LOK CAP TEST ASSEMBLY | |
| | APPR <i>R.P. ...</i> 8/28/75 | SIZE | CODE IDENT NO |
| | APPO | B | 00779 |
| | DSGN APPD | DRAWING NO 350849 | |
| | OTHER APPD | SCALE | SHEET |