

10 9 8 7 6 5 4 3 2 1

F

E

D

C

B

A

F

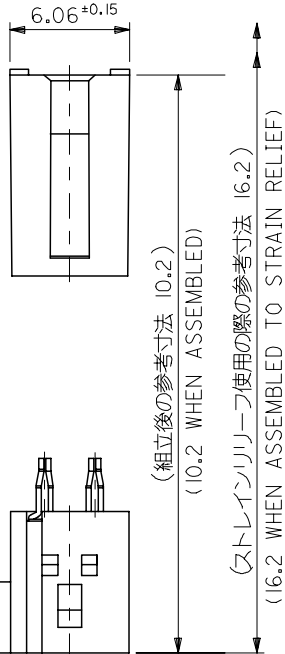
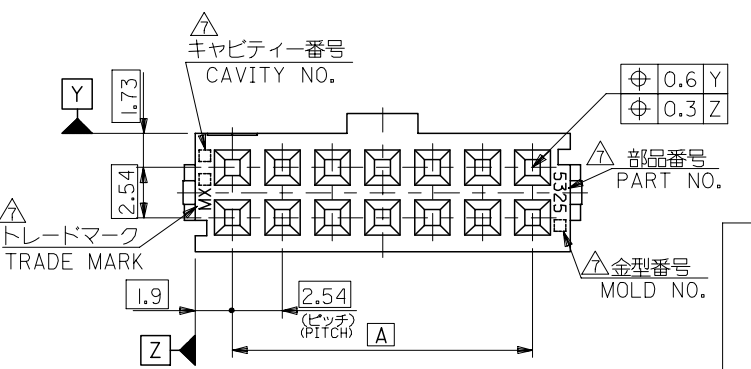
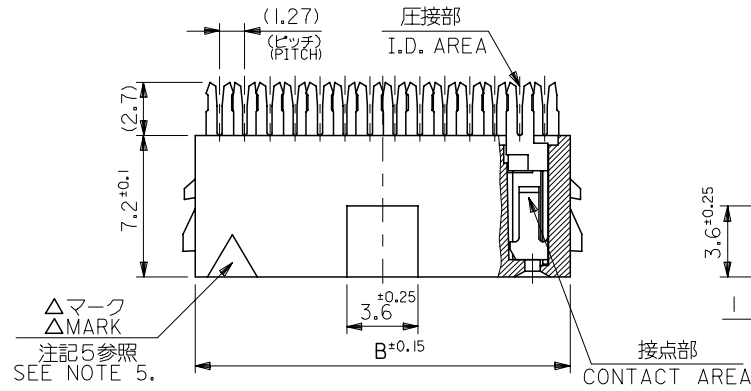
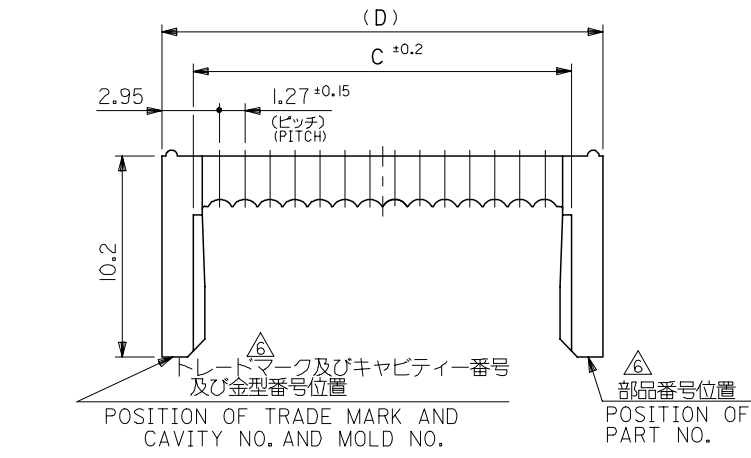
E

D

C

B

A



コード: CODE:*	△マークの色 MARK COLOR	接点部メッキ CONTACT AREA PLATE	圧接部メッキ I. D. AREA PLATE	下地メッキ UNDER PLATE
LEAD FREE G1	白 WHITE	金 GOLD 0.1µm MIN.	金 GOLD 0.1µm MIN.	ニッケル NICKEL 1µm MIN.
LEAD FREE G2	橙 ORANGE	金 GOLD 0.76µm MIN.		
LEAD FREE G3	緑 GREEN	金 GOLD 0.25µm MIN.		
GS1	黄 YELLOW	金 GOLD 0.1µm MIN.	半田 TIN-LEAD 1µm MIN.	
GS2	茶 BROWN	金 GOLD 0.76µm MIN.		
GS3	青 BLUE	金 GOLD 0.25µm MIN.		
GS4	金 GOLD	金 GOLD 1.27µm MIN.		
LEAD FREE GS17F	黄 YELLOW	金 GOLD 0.1µm MIN.	錫 TIN 1µm MIN.	
LEAD FREE GS27F	茶 BROWN	金 GOLD 0.76µm MIN.		
LEAD FREE GS37F	青 BLUE	金 GOLD 0.25µm MIN.		
LEAD FREE GS47F	金 GOLD	金 GOLD 1.27µm MIN.		
LEAD FREE T2	黒 BLACK	銅 TIN 0.9µm MIN. リフロー処理 (前メッキ) REFLOW (PRE-PLATED)		

60	73.66	77.46	77.63	80.83
50	60.96	64.76	64.93	68.13
40	48.26	52.06	52.23	55.43
34	40.64	44.44	44.61	47.81
30	35.56	39.36	39.53	42.73
26	30.48	34.28	34.45	37.65
20	22.86	26.66	26.83	30.03
16	17.78	21.58	21.75	24.95
14	15.24	19.04	19.21	22.41
10	10.16	13.96	14.13	17.33
極数 NO. OF CKT.	A 寸法 DIM.A	B 寸法 DIM.B	C 寸法 DIM.C	D 寸法 DIM.D

REVISED EC NO: J2006-0712 DRWN: YANAGI MOTO 2005/10/03 CHKD: TANAKA 2005/10/06 APPR: NUKITA 2005/10/14	GENERAL TOLERANCES (UNLESS SPECIFIED)		DIMENSION STYLE MM ONLY		SCALE 4:1	DESIGN UNITS METRIC	THIRD ANGLE PROJECTION
	10 UNDER	±0.2	DRAWN BY SMATSUZAKI	DATE 1997/04/23	TITLE QIK FLECS FEMALE ASSY		
	10 OVER 30 UNDER	±0.25	CHECKED BY KTOJO	DATE 1997/10/13	APPROVED BY MOLEX INCORPORATED		
	30 OVER	±0.3	APPROVED BY MFUKUSHIMA	DATE 1997/10/13	DOCUMENT NO. SD-5320-001		
	ANGULAR	±3 °	MATERIAL NO. SEE SHEET 2 OF 2	DOCUMENT NO. SD-5320-001	SHEET NO. 1 OF 2		
DRAFT WHERE APPLICABLE MUST REMAIN WITHIN DIMENSIONS		THIS DRAWING CONTAINS INFORMATION THAT IS PROPRIETARY TO MOLEX INCORPORATED AND SHOULD NOT BE USED WITHOUT WRITTEN PERMISSION					

NOTE
 1. 材料 ハウジング : ガラス繊維 15% 入り PBTP (UL94V-0), 黒色
 MATERIAL HOUSING : PBTP (15%G.F.), UL94V-0, BLACK
 TERMINAL : PHOS.BRO.
 2. 適用電線 : I.27ピッチリボンケーブル 被覆外径: φ1.14 MAX.
 単線 : AWG#26 ~ #28 (芯線7本構成)
 FOR USE WITH AWG#26 & #28 STRANDED WIRE
 (CONSISTS OF 7 CONDUCTORS) AND #28 WIRE.
 I.14 DIA. MAX. INSULATION RIBBON CABLE WITH I.27 CENTERS.
 3. 適合ストレインリリーフ : 5328-N
 MATES WITH STRAIN RELIEF OF 5328 SERIES
 4. 嵌合相手 : 5330,5332,5340,5342 シリーズ
 MATES WITH CONNECTOR SERIES OF 5330,5332,5340 & 5342
 5. 使用符号の説明 LEGEND 5320 - N A * - *
 ベースナンバー BASE NUMBER
 ハウジングの色 MATERIAL COLOR
 回路サイズ CIRCUIT SIZE
 アッパーハウジング分岐タイプ UNLOADED UPPER HOUSING
 ターミナルのメッキコート PLATING CODE OF TERMINAL
 BLANK : BLACK
 GY : GLAY
 △ トレードマーク: MX プラス1文字の製造工場を示すアルファベットにて構成
 但し、* J * は JAPAN を示す。(例 MX J)
 キャビティ番号: 1桁の数字で表示
 金型番号: アルファベット1文字にて構成。
 部品番号: 5327 と表示
 FORMED BY MX AND 1 MORE LETTER OF ALPHABET WHICH MEAN THE MANUFACTORY, BUT "J" MEANS JAPAN. (TO TRADE MARK) (e.g. MX J)
 AND BY 1 DIGIT NUMBER (TO CAVITY NO.)
 AND BY 1 LETTER OF ALPHABET (TO MOLD NO.)
 PART NO.: INDICATE 5327
 INDICATE THE SAME △, OTHERWISE ENG. NO.

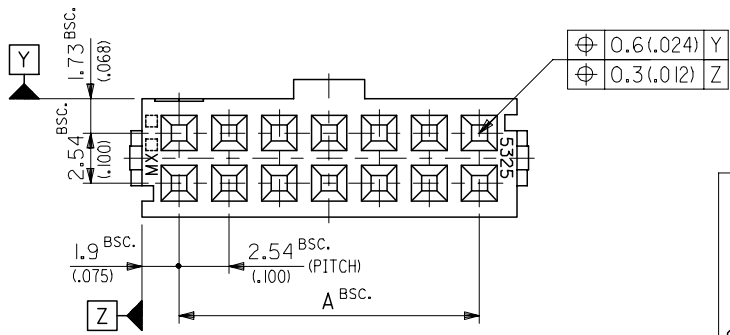
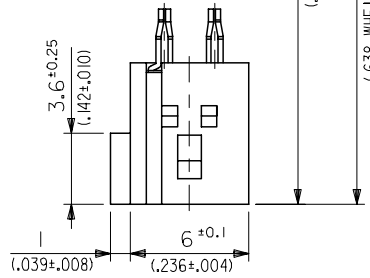
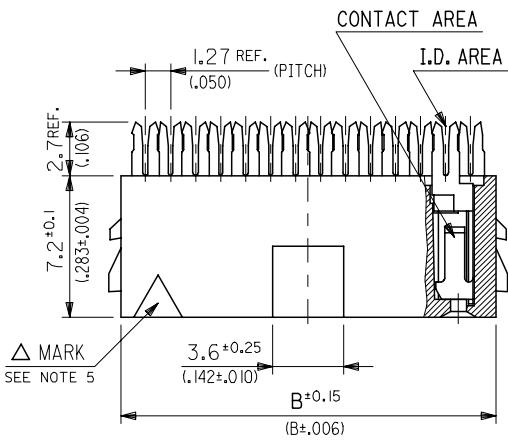
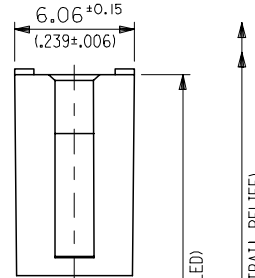
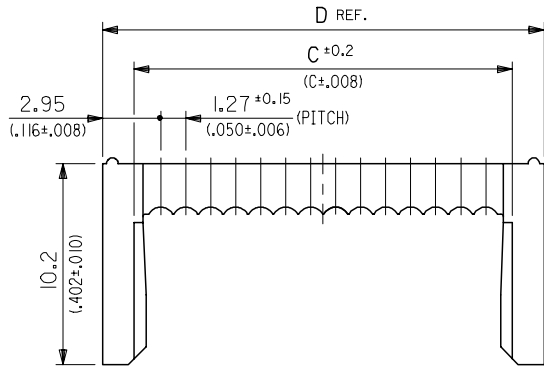
39-53-5641	5320-64AGS37F-GY	39-53-5640	5320-64AGS27F-GY	39-53-4649	5320-64AGS17F-GY			39-53-3644	5320-64AGS37F	39-53-4647	5320-64AGS27F	39-53-4646	5320-64AGS17F	64
↑ -5601	↑ -60AGS37F-GY	↑ -5600	↑ -60AGS27F-GY	↑ -4609	↑ -60AGS17F-GY			↑ -3604	↑ -60AGS37F	↑ -4607	↑ -60AGS27F	↑ -4606	↑ -60AGS17F	60
								↑ -3504	↑ -50AGS37F	↑ -4507	↑ -50AGS27F	↑ -4506	↑ -50AGS17F	50
								↑ -3444	↑ -44AGS37F					44
								↑ -3404	↑ -40AGS37F					40
								↑ -3344	↑ -34AGS37F					34
								↑ -3304	↑ -30AGS37F					30
								↑ -3264	↑ -26AGS37F					26
								↑ -3204	↑ -20AGS37F					20
								↑ -3164	↑ -16AGS37F					16
								↑ -3144	↑ -14AGS37F					14
								↓ -3104	↓ -10AGS37F					10
								↓ -4107	↓ -10AGS27F					10
								↓ -4106	↓ -10AGS17F					10
EDP NO.	ENG. NO.	EDP NO.	ENG. NO.	EDP NO.	ENG. NO.	EDP NO.	ENG. NO.	EDP NO.	ENG. NO.	EDP NO.	ENG. NO.	EDP NO.	ENG. NO.	NO. OF CKTS.
5320-NAGS37F-GY	LEAD FREE-	5320-NAGS27F-GY	LEAD FREE-	5320-NAGS17F-GY	LEAD FREE-	5320-NAGS47F	LEAD FREE-	5320-NAGS37F	LEAD FREE-	5320-NAGS27F	LEAD FREE-	5320-NAGS17F	LEAD FREE-	
39-51-7647	5320-64AGS3-GY	39-51-7646	5320-64AGS2-GY	39-51-7645	5320-64AGS1-GY			39-51-2642	5320-64AGS3	39-51-2641	5320-64AGS2	39-51-2640	5320-64AGS1	64
↑ -7607	↑ -60AGS3-GY	↑ -7606	↑ -60AGS2-GY	↑ -7605	↑ -60AGS1-GY			↑ -2602	↑ -60AGS3	↑ -2601	↑ -60AGS2	↑ -2600	↑ -60AGS1	60
								↑ -2502	↑ -50AGS3	↑ -2501	↑ -50AGS2	↑ -2500	↑ -50AGS1	50
								↑ -2442	↑ -44AGS3					44
								↑ -2402	↑ -40AGS3					40
								↑ -2342	↑ -34AGS3					34
								↑ -2302	↑ -30AGS3					30
								↑ -2262	↑ -26AGS3					26
								↑ -2202	↑ -20AGS3					20
								↑ -2162	↑ -16AGS3					16
								↑ -2142	↑ -14AGS3					14
								↓ -2102	↓ -10AGS3					10
								↓ -2101	↓ -10AGS2					10
								↓ -2100	↓ -10AGS1					10
EDP NO.	ENG. NO.	EDP NO.	ENG. NO.	EDP NO.	ENG. NO.	EDP NO.	ENG. NO.	EDP NO.	ENG. NO.	EDP NO.	ENG. NO.	EDP NO.	ENG. NO.	NO. OF CKTS.
5320-NAGS3-GY		5320-NAGS2-GY		5320-NAGS1-GY		5320-NAGS4		5320-NAGS3		5320-NAGS2		5320-NAGS1		
								39-51-0605	5320-60AG3	15-29-3602	5320-60AG2	15-29-3601	5320-60AG1	64
								↑ -0505	↑ -50AG3	↑ -3502	↑ -50AG2	↑ -3501	↑ -50AG1	60
								↑ -0405	↑ -40AG3	↑ -3402	↑ -40AG2	↑ -3401	↑ -40AG1	44
								↑ -0345	↑ -34AG3	↑ -3342	↑ -34AG2	↑ -3341	↑ -34AG1	40
														34
														30
														26
														20
														16
														14
								↓ -1242	↓ -12AG3					12
								↓ -1202	↓ -10AG3					10
								↓ -3102	↓ -10AG2					10
								↓ -3101	↓ -10AG1					10
EDP NO.	ENG. NO.	EDP NO.	ENG. NO.	EDP NO.	ENG. NO.	EDP NO.	ENG. NO.	EDP NO.	ENG. NO.	EDP NO.	ENG. NO.	EDP NO.	ENG. NO.	NO. OF CKTS.
5320-NAT2	LEAD FREE-	5320-NAG3		5320-NAG2		5320-NAG1								

REVISED EC NO: J2006-0712 DRAWN: YANAGI MOTO 2005/10/03 CHKD: TANAKA 2005/10/08 APPR: NUKITA 2005/10/14	GENERAL TOLERANCES (UNLESS SPECIFIED)		DIMENSION STYLE MM ONLY		SCALE 4:1	DESIGN UNITS METRIC	THIRD ANGLE PROJECTION
	10 UNDER	± 0.2	DRAWN BY DATE SMATSUZAKI 1997/04/23		TITLE QIK FLECS FEMALE ASSY		
	10 OVER 30 UNDER	± 0.25	CHECKED BY DATE KTOJO 1997/10/13				
	30 OVER	± 0.3	APPROVED BY DATE MFUKUSHIMA 1997/10/13		MOLEX INCORPORATED		
ANGULAR ± 3 °		MATERIAL NO. SEE CHART		DOCUMENT NO. SD-5320-001		SHEET NO. 2 OF 2	
DRAFT WHERE APPLICABLE MUST REMAIN WITHIN DIMENSIONS		SIZE A3		THIS DRAWING CONTAINS INFORMATION THAT IS PROPRIETARY TO MOLEX INCORPORATED AND SHOULD NOT BE USED WITHOUT WRITTEN PERMISSION			

10 9 8 7 6 5 4 3 2 1

F
E
D
C
B
A

F
E
D
C
B
A



NOTES

- MATERIAL
HOUSING : G.F. 15% PBTP (UL94V-0)
TERMINAL : PHOSPHOR BRONZE
- FOR USE WITH AWG#26 & #28 STRANDED WIRE (CONSISTS OF 7 CONDUCTORS) AND #28 SOLID WIRE.
1.14(.045) DIA. MAX. INSULATION RIBBON CABLE WITH 1.27(.050) CENTERS.
- MATES WITH STRAIN RELIEF OF 5328 SERIES.
- MATES WITH CONNECTOR SERIES OF 5330,5332,5340,5342,5576 & 5578.
- LEGEND

5320 - N A * - *

BASE NUMBER _____ MATERIAL COLOR _____
CIRCUIT SIZE _____ BLANK : BLACK
UNLOADED UPPER HOUSING _____ GY : GREY
PLATING CODE OF TERMINAL _____

CODE : *	Δ MARK COLOR	CONTACT AREA PLATE	I. D. AREA PLATE	UNDER PLATE
GS1	YELLOW	GOLD 0.1μm(4μ") MIN.	TIN-LEAD	NICKEL 1 μm(39μ") MIN.
GS3	BLUE	GOLD 0.25μm(10μ") MIN.	1 μm(39μ") MIN.	
LEAD FREE GS17F	YELLOW	GOLD 0.1um(4μ") MIN.	TIN 1 μm(39μ") MIN.	
LEAD FREE GS37F	BLUE	GOLD 0.25μm(10μ") MIN.		
LEAD FREE T2	BLACK	TIN 0.9μm(35μ") MIN. REFLOW (PRE-PLATED)	WITHOUT	WITHOUT

64	78.74 (3.100)	82.54 (3.250)	82.71 (3.256)	85.91 (3.382)
60	73.66 (2.900)	77.46 (3.050)	77.63 (3.056)	80.83 (3.182)
50	60.96 (2.400)	64.76 (2.550)	64.93 (2.556)	68.13 (2.682)
40	48.26 (1.900)	52.06 (2.050)	52.23 (2.056)	55.43 (2.182)
34	40.64 (1.600)	44.44 (1.750)	44.61 (1.756)	47.81 (1.882)
30	35.56 (1.400)	39.36 (1.550)	39.53 (1.556)	42.73 (1.682)
26	30.48 (1.200)	34.28 (1.350)	34.45 (1.356)	37.65 (1.482)
20	22.86 (.900)	26.66 (1.050)	26.83 (1.056)	30.03 (1.182)
16	17.78 (.700)	21.58 (.850)	21.75 (.856)	24.95 (.982)
14	15.24 (.600)	19.04 (.750)	19.21 (.756)	22.41 (.882)
12	12.70 (.500)	16.50 (.650)	16.67 (.656)	19.87 (.782)
10	10.16 (.400)	13.96 (.550)	14.13 (.556)	17.33 (.682)
NO. OF CKTS.	DIM. A	DIM. B	DIM. C	DIM. D

REVISED EC NO: J2006-0712 DRWN:YANAGI MOTO 2005/10/03 CHKD:MIYANAKA 2005/10/06 APPR:NUKITA 2005/10/14	GENERAL TOLERANCES (UNLESS SPECIFIED)		DIMENSION STYLE MM ONLY		SCALE 4:1	DESIGN UNITS METRIC	THIRD ANGLE PROJECTION
	DESCRIPTION	10 UNDER	± 0.2	DRAWN BY HIRAMOTO	DATE 1990/07/11	TITLE QIK FLECS FEMALE ASSY ENGLISH ONLY	
	10 OVER 30 UNDER	± 0.25	CHECKED BY MSASAO	DATE			
	30 OVER	± 0.3	APPROVED BY HIKESUGI	DATE	MOLEX INCORPORATED		
	ANGULAR	± 3 °	MATERIAL NO.	DOCUMENT NO.	SHEET NO.		
	DRAFT WHERE APPLICABLE MUST REMAIN WITHIN DIMENSIONS		SEE SHEET 2 OF 2	SD-5320-002	1 OF 2		
			THIS DRAWING CONTAINS INFORMATION THAT IS PROPRIETARY TO MOLEX INCORPORATED AND SHOULD NOT BE USED WITHOUT WRITTEN PERMISSION				

10 9 8 7 6 5 4 3 2 1

F

F

E

E

D

D

C

C

B

B

A

A

		60
39-52-1504	5320-50AT2	50
▲ -1404	▲ -40AT2	40
-1344	-34AT2	34
-1304	-30AT2	30
-1264	-26AT2	26
-1204	-20AT2	20
-1164	-16AT2	16
▼ -1144	▼ -14AT2	14
39-52-1104	5320-10AT2	10
EDP NO.	ENG. NO.	NO. OF CKTS.
5320-NAT2	-LEAD FREE-	

39-53-3604	5320-60AGS37F	39-51-2602	5320-60AGS3	60
▲ -3504	▲ -50AGS37F	▲ -2502	▲ -50AGS3	50
-3404	-40AGS37F	-2402	-40AGS3	40
-3344	-34AGS37F	-2342	-34AGS3	34
-3304	-30AGS37F	-2302	-30AGS3	30
-3264	-26AGS37F	-2262	-26AGS3	26
-3204	-20AGS37F	-2202	-20AGS3	20
-3164	-16AGS37F	-2162	-16AGS3	16
▼ -3144	▼ -14AGS37F	▼ -2142	▼ -14AGS3	14
39-53-3104	5320-10AGS37F	39-51-2102	5320-10AGS3	10
EDP NO.	ENG. NO.	EDP NO.	ENG. NO.	NO. OF CKTS.
5320-NAGS37F	-LEAD FREE-	5320-NAGS3		
39-53-4606	5320-60AGS17F	39-51-2600	5320-60AGS1	60
▲ -4506	▲ -50AGS17F	▲ -2500	▲ -50AGS1	50
-4406	-40AGS17F	-2400	-40AGS1	40
-4346	-34AGS17F	-2340	-34AGS1	34
-4306	-30AGS17F	-2300	-30AGS1	30
-4266	-26AGS17F	-2260	-26AGS1	26
-4206	-20AGS17F	-2200	-20AGS1	20
-4166	-16AGS17F	-2160	-16AGS1	16
▼ -4146	▼ -14AGS17F	▼ -2140	▼ -14AGS1	14
39-53-4106	5320-10AGS17F	39-51-2100	5320-10AGS1	10
EDP NO.	ENG. NO.	EDP NO.	ENG. NO.	NO. OF CKTS.
5320-NAGS17F	-LEAD FREE-	5320-NAGS1		

REVISED EC NO: J2006-0712 DRWN: YANAGI MOTO 2005/10/03 CHKD: TANAKA 2005/10/06 APPR: NUKITA 2005/10/14	GENERAL TOLERANCES (UNLESS SPECIFIED)		DIMENSION STYLE MM ONLY		SCALE 4:1	DESIGN UNITS METRIC	THIRD ANGLE PROJECTION	
	10 UNDER	± 0.2	DRAWN BY HHIRAMOTO		DATE 1990/07/11	TITLE QIK FLECS FEMALE ASSY ENGLISH ONLY		
	10 OVER 30 UNDER	± 0.25	CHECKED BY MSASAO		DATE			
	30 OVER	± 0.3	APPROVED BY HIKESUGI		DATE	MOLEX MOLEX INCORPORATED		
	ANGULAR	± 3 °	MATERIAL NO.		DOCUMENT NO.			
DRAFT WHERE APPLICABLE MUST REMAIN WITHIN DIMENSIONS		SIZE A3		SEE CHART		SD-5320-002		SHEET NO. 2 OF 2

9

8

7

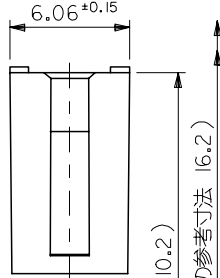
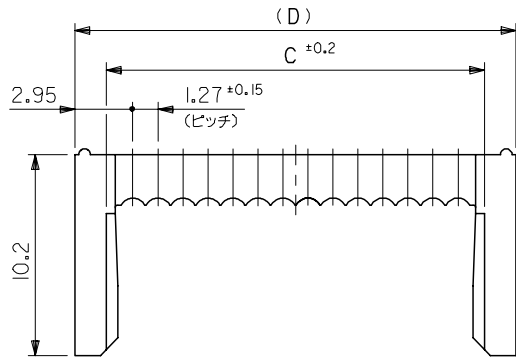
6

5

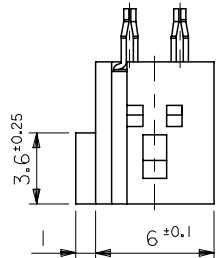
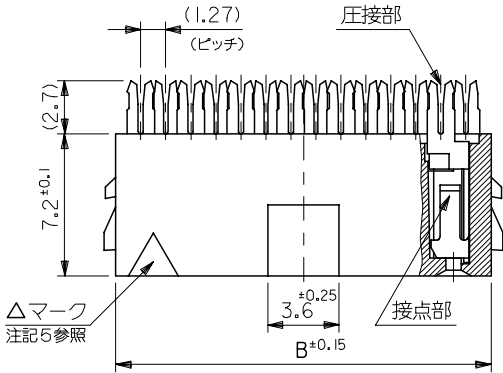
4

3

2



(ストレインリリーフ使用の際の参考寸法 16.2)



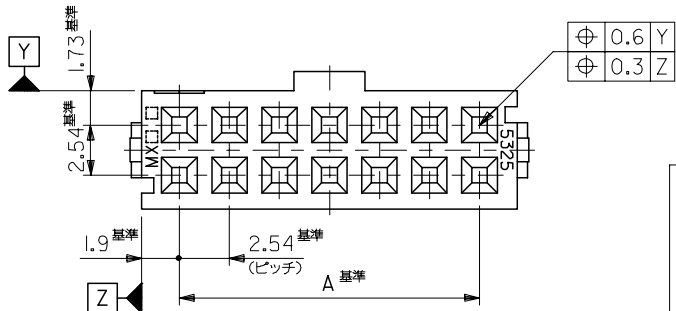
(組立後の参考寸法 10.2)

注記

- 材料 ハウジング : ガラス繊維 15% 入りPBTP (UL94V-0), 黒色
ターミナル : リン青銅
- 適用電線 : 1.27ピッチリボンケーブル 被覆外径 : $\phi 1.14$ MAX.
より線 : AWG#26 ~ #28 (芯線 7 本構成)
単線 : AWG#28
- 適合ストレインリリーフ : 5328-N
- 嵌合相手 : 5330, 5332, 5340, 5342 シリーズ
- 使用符号の説明 **5320 - N A ***
ベースナンバー _____
極数 _____
アッパーハウジング分離タイプ _____
ターミナルのメッキコード _____

コード*	△マークの色	接点部メッキ	圧接部メッキ	下地メッキ
GS1	黄	金 0.1 μ m MIN.	半田 1 μ m MIN.	ニッケル
GS3	青	金 0.25 μ m MIN.		1 μ m MIN.
LEAD FREE GS17F	黄	金 0.1 μ m MIN.	錫 1 μ m MIN.	
LEAD FREE GS37F	青	金 0.25 μ m MIN.		
LEAD FREE T2	黒	錫 0.9 μ m MIN. リフロー処理 (前メッキ)		

60	73.66	77.46	77.63	80.83
50	60.96	64.76	64.93	68.13
40	48.26	52.06	52.23	55.43
34	40.64	44.44	44.61	47.81
30	35.56	39.36	39.53	42.73
26	30.48	34.28	34.45	37.65
20	22.86	26.66	26.83	30.03
16	17.78	21.58	21.75	24.95
14	15.24	19.04	19.21	22.41
10	10.16	13.96	14.13	17.33
極数	A 寸法	B 寸法	C 寸法	D 寸法



REVISED	EC NO: J2006-0712	DRWN: YANAGI MOTO 2005/10/03	CHKD: TANAKA 2005/10/06	APPR: NUKITA 2005/10/14	GENERAL TOLERANCES (UNLESS SPECIFIED)		DIMENSION STYLE		SCALE	DESIGN UNITS	THIRD ANGLE PROJECTION	
					DESCRIPTION	MM ONLY	4:1	METRIC	TITLE			
					10 UNDER	±0.2	H. HIRAMOTO	DATE	1990/07/10	QIK FLECS FEMALE ASSY		
					10 OVER 30 UNDER	±0.25	CHECKED BY	DATE				
					30 OVER	±0.3	M. SASAO	DATE				
					ANGULAR	±3 °	APPROVED BY	DATE		MOLEX MOLEX INCORPORATED		
					DRAFT WHERE APPLICABLE MUST REMAIN WITHIN DIMENSIONS		MATERIAL NO.	DOCUMENT NO.		SHEET NO.		
							SEE SHEET 2 OF 2	SD-5320-007		1 OF 2		
							THIS DRAWING CONTAINS INFORMATION THAT IS PROPRIETARY TO MOLEX INCORPORATED AND SHOULD NOT BE USED WITHOUT WRITTEN PERMISSION					

10 9 8 7 6 5 4 3 2 1

F

F

E

E

D

D

C

C

B

B

A

A

		60
39-52-1504	5320-50AT2	50
▲ -1404	▲ -40AT2	40
-1344	▲ -34AT2	34
-1304	-30AT2	30
-1264	-26AT2	26
-1204	-20AT2	20
-1164	-16AT2	16
▼ -1144	▼ -14AT2	14
39-52-1104	5320-10AT2	10
EDP NO.	ENG. NO.	極 数
5320-NAT2	-LEAD FREE-	

39-53-3604	5320-60AGS37F	39-51-2602	5320-60AGS3	60
▲ -3504	▲ -50AGS37F	▲ -2502	▲ -50AGS3	50
▼ -3404	▼ -40AGS37F	-2402	▲ -40AGS3	40
▼ -3344	▼ -34AGS37F	-2342	-34AGS3	34
-3304	-30AGS37F	-2302	-30AGS3	30
-3264	-26AGS37F	-2262	-26AGS3	26
-3204	-20AGS37F	-2202	-20AGS3	20
-3164	-16AGS37F	-2162	-16AGS3	16
-3144	-14AGS37F	▼ -2142	▼ -14AGS3	14
39-53-3104	5320-10AGS37F	39-51-2102	5320-10AGS3	10
EDP NO.	ENG. NO.	EDP NO.	ENG. NO.	極 数
5320-NAGS37F	-LEAD FREE-	5320-NAGS3		
39-53-4606	5320-60AGS17F	39-51-2600	5320-60AGS1	60
▲ -4506	▲ -50AGS17F	▲ -2500	▲ -50AGS1	50
-4406	-40AGS17F	-2400	-40AGS1	40
-4346	-34AGS17F	-2340	-34AGS1	34
-4306	-30AGS17F	-2300	-30AGS1	30
-4266	-26AGS17F	-2260	-26AGS1	26
-4206	-20AGS17F	-2200	-20AGS1	20
-4166	-16AGS17F	-2160	-16AGS1	16
▼ -4146	▼ -14AGS17F	▼ -2140	▼ -14AGS1	14
39-53-4106	5320-10AGS17F	39-51-2100	5320-10AGS1	10
EDP NO.	ENG. NO.	EDP NO.	ENG. NO.	極 数
5320-NAGS17F	-LEAD FREE-	5320-NAGS1		

REVISED EC NO: J2006-0712 DRW: YANAGI MOTO 2005/10/03 CHK: M. TANAKA 2005/10/06 APPR: NUKITA 2005/10/14	GENERAL TOLERANCES (UNLESS SPECIFIED)		DIMENSION STYLE MM ONLY		SCALE 4:1	DESIGN UNITS METRIC	THIRD ANGLE PROJECTION	
	10 UNDER	± 0.2	DRAWN BY H. HIRAMOTO		DATE 1990/07/10	TITLE QIK FLECS FEMALE ASSY		
	10 OVER 30 UNDER	± 0.25	CHECKED BY M. SASAO		DATE			
	30 OVER	± 0.3	APPROVED BY H. IKESUGI		DATE	MOLEX INCORPORATED		
	ANGULAR	± 3 °	MATERIAL NO.		DOCUMENT NO.			
DRAFT WHERE APPLICABLE MUST REMAIN WITHIN DIMENSIONS		SEE CHART		SD-5320-007		2 OF 2		