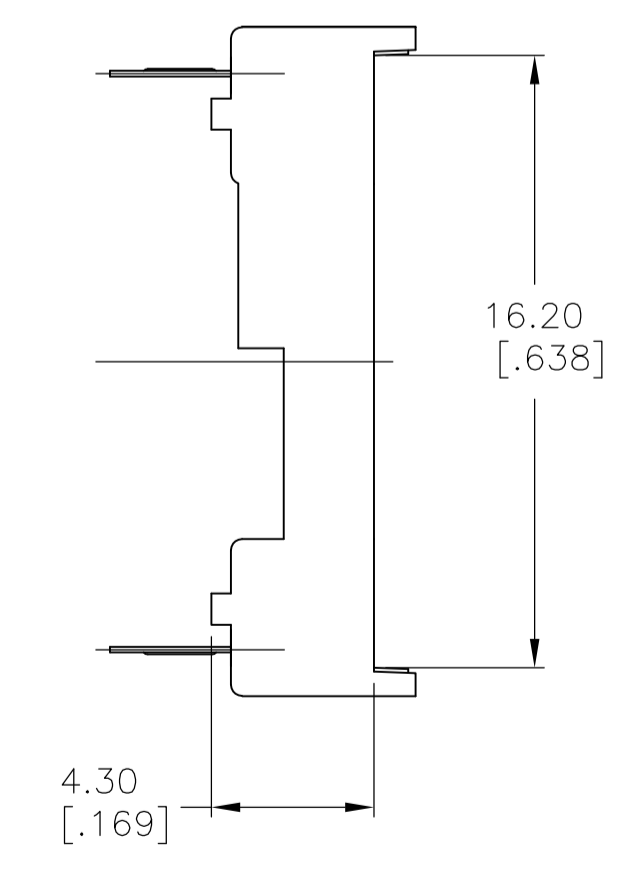
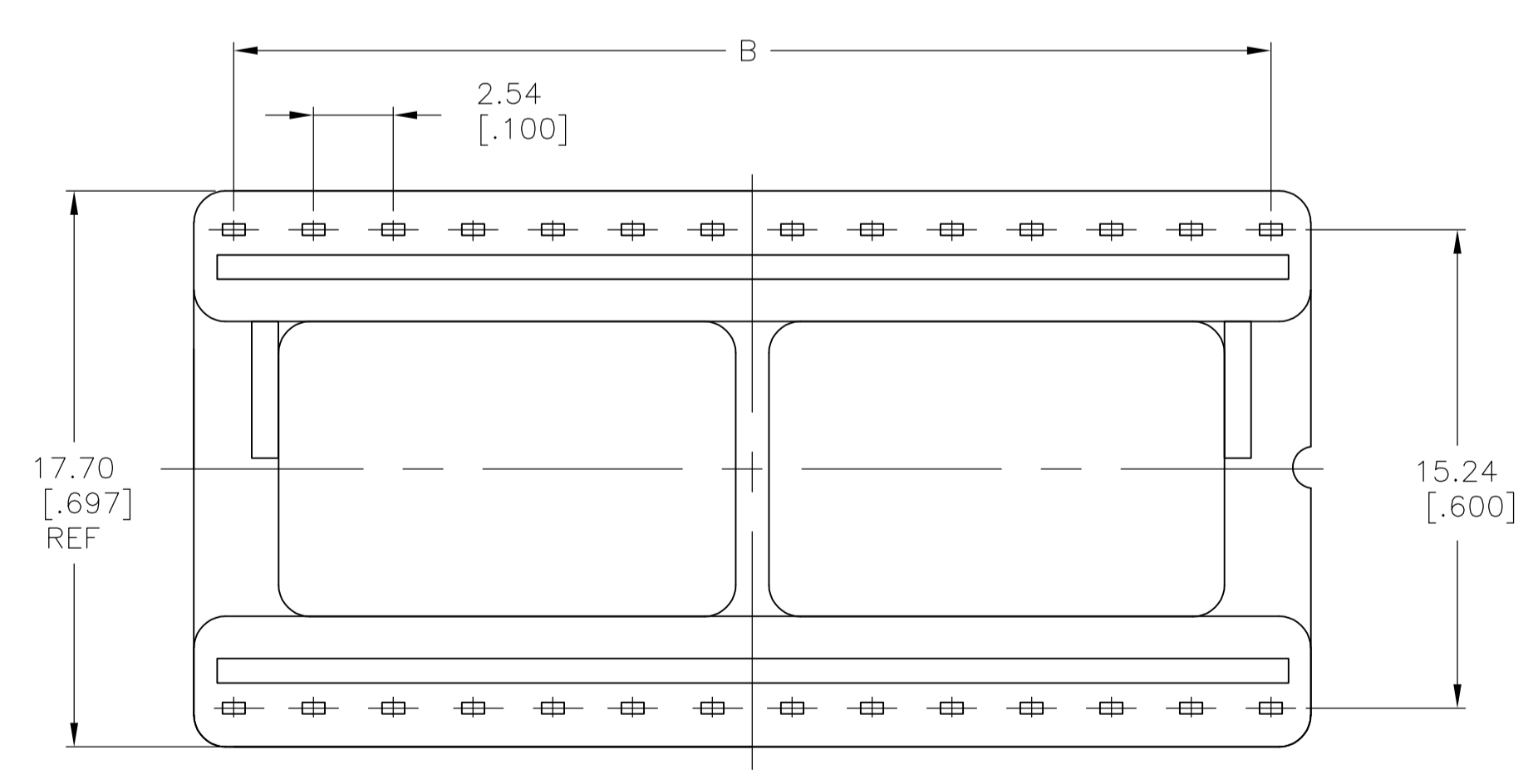
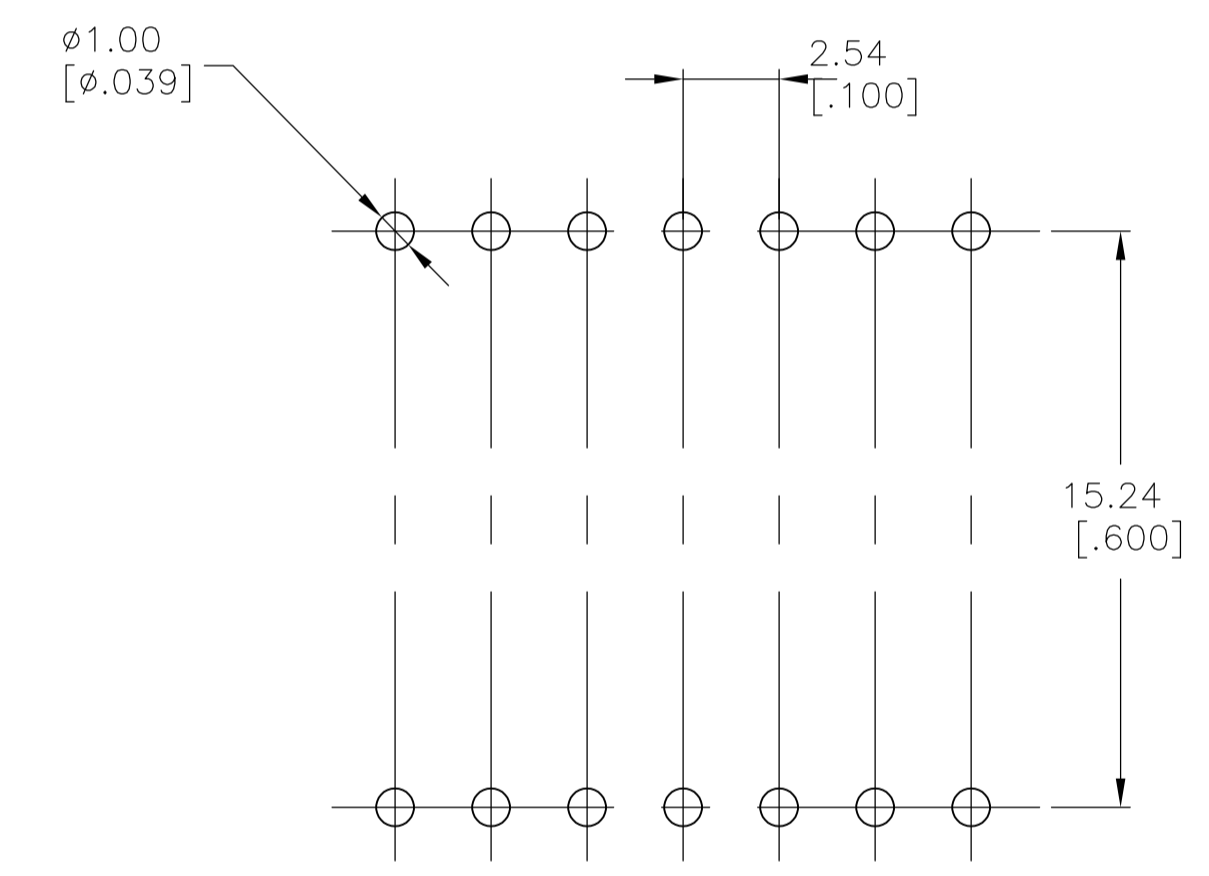
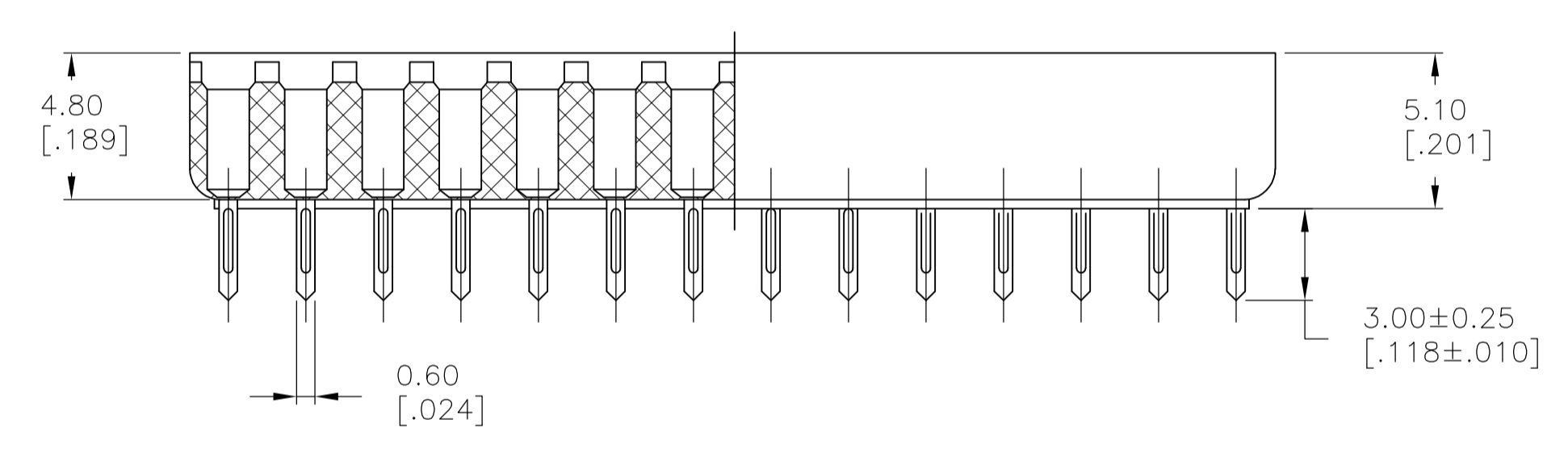


- NOTE:
- 1 MATERIAL:
HOUSING: 30% GLASS FILLED PBT, THERMOPLASTIC, BLACK.
CONTACT: PHOS BRONZE
 - 2 FINISH: CONTACT PLATING: TIN-LEAD (60μ INCHES MIN.)
SOLDERABILITY :95% COVERAGE MIN.;
TEST TEMPERATURE=230°C±5°C
TEST TIME = 5±5 SECONDS.
 3. MECHANICAL SPECS:
DURABILITY: 50 CYCLES MIN.
INSERTION FORCE:300 GRAMS MAX.
WITHDRAWAL FORCE: 20 GRAMS MIN.
CONTACT RETENTION: 500 GRAMS MIN.
ACCEPTS: 0.20-0.30 [.008-.012] LEADS
 4. ELECTRICAL SPECS:
VOLTAGE RATING: 250V AC,DC
CONTACT RESISTANCE: 20 MILLOHMS MAX.
CURRENT RATING: 1 AMPERE AC,DC
INSULATION RESISTANCE: 1000 MEGOHMS MIN.
DIELECTRIC WITHSTANDING VOLTAGE: AC 1000 V MIN.
 5. OPERATING TEMPERATURE: -40°C TO +105°C
 - 6 AMP LOGO
 - 7 FINISH: CONTACT PLATING TIN (LEAD FREE); 60 UIN MIN. OVER 30 UIN Ni
SOLDERABILITY :95% COVERAGE MIN.;
TEST TEMPERATURE=260'±5°C;
TEST TIME = 5±5 SECONDS.



- SUPERSEDED BY 1-390262-7
- SUPERSEDED BY 1-390262-6
- SUPERSEDED BY 1-390262-5
- SUPERSEDED BY 1-390262-3
- SUPERSEDED BY 1-390262-2
- SUPERSEDED BY 1-390262-1

7	48	60.96 [2.400]	58.42 [2.300]	1-390262-7
7	42	53.34 [2.100]	50.8 [2.000]	1-390262-6
7	40	50.80 [2.000]	48.26 [1.900]	1-390262-5
7	32	40.64 [1.600]	38.10 [1.500]	1-390262-3
7	28	35.56 [1.400]	33.02 [1.300]	1-390262-2
7	24	30.48 [1.200]	27.94 [1.100]	1-390262-1
2	48	60.96 [2.400]	58.42 [2.300]	390262-7
2	42	53.34 [2.100]	50.8 [2.000]	390262-6
2	40	50.80 [2.000]	48.26 [1.900]	390262-5
2	32	40.64 [1.600]	38.10 [1.500]	390262-3
2	28	35.56 [1.400]	33.02 [1.300]	390262-2
2	24	30.48 [1.200]	27.94 [1.100]	390262-1
FINISH	POS	A±0.20 [.008]	B±0.15 [.006]	PART NO.

THIS DRAWING IS A CONTROLLED DOCUMENT. DIMENSIONS: mm [INCHES]. TOLERANCES UNLESS OTHERWISE SPECIFIED: 0 PLC ±, 1 PLC ±, 2 PLC ±, 3 PLC ± 0.2[.008], 4 PLC ±, ANGLES ±.

THIS DRAWING IS A CONTROLLED DOCUMENT. DWN BSV 07SEP04. CHK - APVD - NAME Tyco Electronics Corporation Harrisburg, PA 17105-3608. PRODUCT SPEC - APPLICATION SPEC - SIZE A1. SCALE 5:1. SHEET 1 OF 1. REV M.