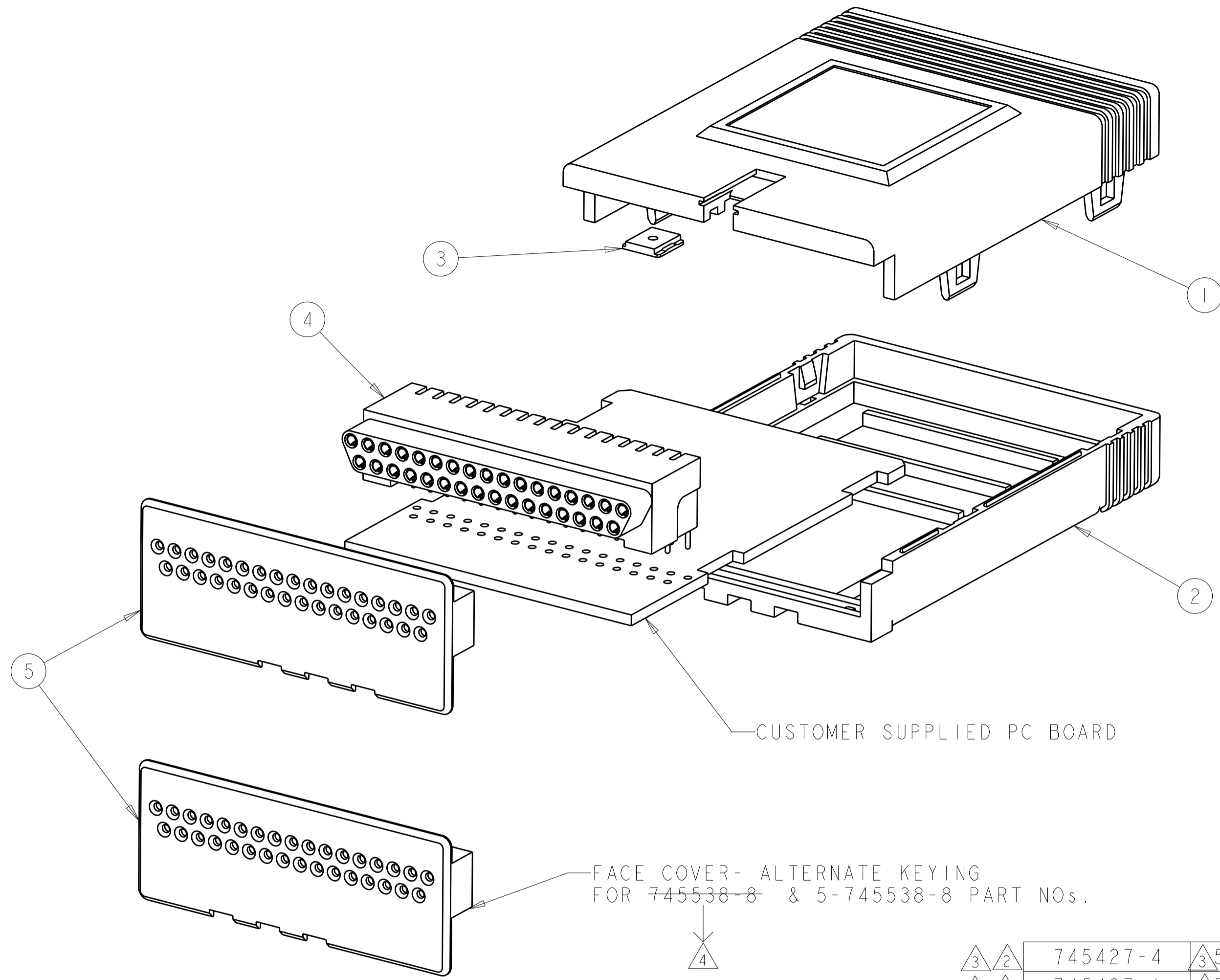


THIS DRAWING IS UNPUBLISHED. RELEASED FOR PUBLICATION
 © COPYRIGHT BY TYCO ELECTRONICS CORPORATION. ALL RIGHTS RESERVED.

LOC	DIST	REVISIONS				
P	LTR	DESCRIPTION	DATE	DWN	APVD	
	C	REDRAWN PER OG3C-0050-01	19MAR2001	RB	JO	
	C1	ECO-06-12417	04OCT2006	MB	JO	
	C2	REVISED PER ECO-09-027197	11DEC09	KK	AEG	



FACE COVER- ALTERNATE KEYING FOR 745538-8 & 5-745538-8 PART NOs.

3 2	745427-4	3 5-745447-1	745442-1	745433-1	745432-1	5-745538-8				
3 2	745427-1	3 5-745447-1	745442-1	745433-1	745432-1	5-745538-5				
3 1	745427-1	3 5-745447-1	745442-1	745433-1	745432-1	5-745538-1				
4 2	OBSOLETE	745427-4	745447-1	745442-1	745433-1	745538-8				
2	745427-1	745447-1	745442-1	745433-1	745432-1	745538-5				
1	745427-1	745447-1	745442-1	745433-1	745432-1	745538-1				
5	FACE COVER	4	RCPT ASSY	3	SLIDE SWITCH	2	BOTTOM COVER	1	TOP COVER	PART NO.
	QTY = 1		QTY = 1		QTY = 1		QTY = 1		QTY = 1	

- 1 COMPONENTS BULK PACKED PER DASH NO. REFER TO PACKAGING SPEC. NO. 107-40059-1.
- 2 COMPONENTS KIT PACKED PER DASH NO. REFER TO PACKAGING SPEC. NO. 107-40059-2.
- 3 ROHS 2002/95/EC COMPLIANT
- 4 OBSOLETE PARTS: OBSOLETE CIS STREAMLINING PER D.RENAUD/D.SINISI

THIS DRAWING IS A CONTROLLED DOCUMENT FOR TYCO ELECTRONICS CORPORATION IT IS SUBJECT TO CHANGE AND THE CONTROLLING ENGINEERING ORGANIZATION SHOULD BE CONTACTED FOR THE LATEST REVISION.

DWN	R BROWN	22MAR2001
CHK	J OLSON	22MAR2001
APVD	J OLSON	22MAR2001
PRODUCT SPEC		
APPLICATION SPEC		
WEIGHT		
CUSTOMER DRAWING	SCALE 1:2	SHEET 1 OF 1

AMP Tyco Electronics Corporation
Harrisburg, PA 17105-3608

NAME: COMPLETE CARTRIDGE ASSY, FOR AMPLITUDE CONNECTOR SYSTEM

SIZE: A2 CAGE CODE: 00779 DRAWING NO: 745538 RESTRICTED TO: -

REV: C2