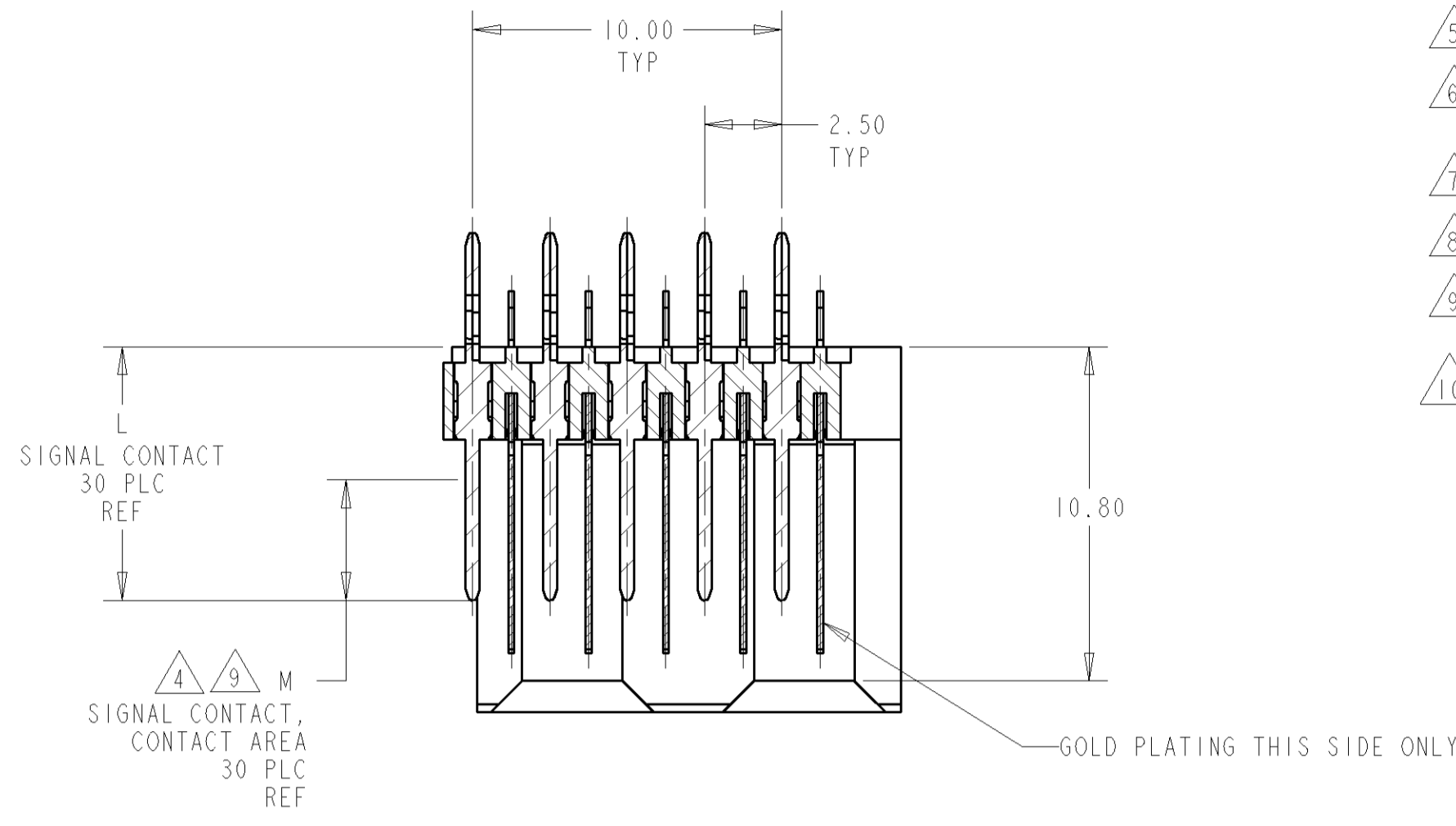
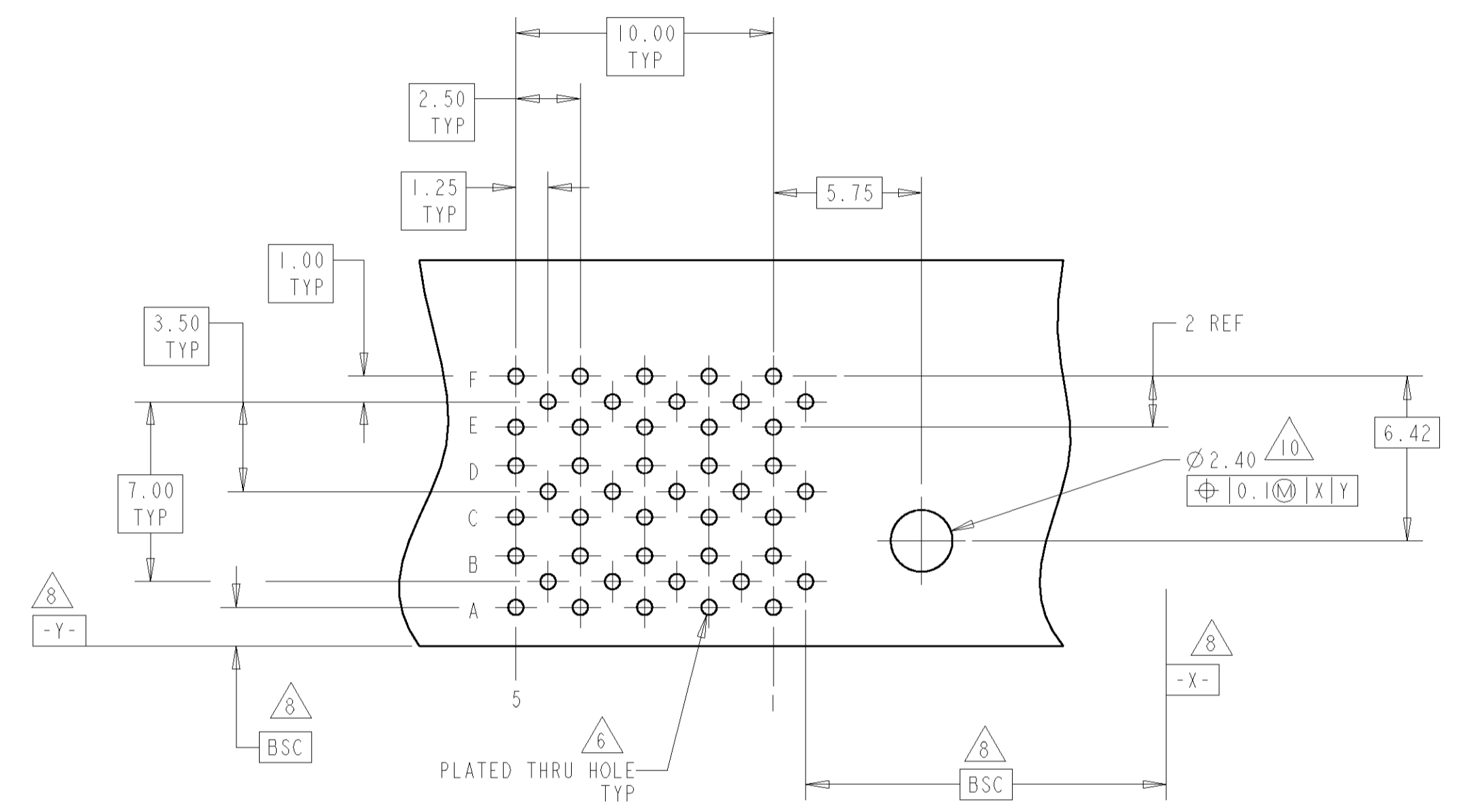
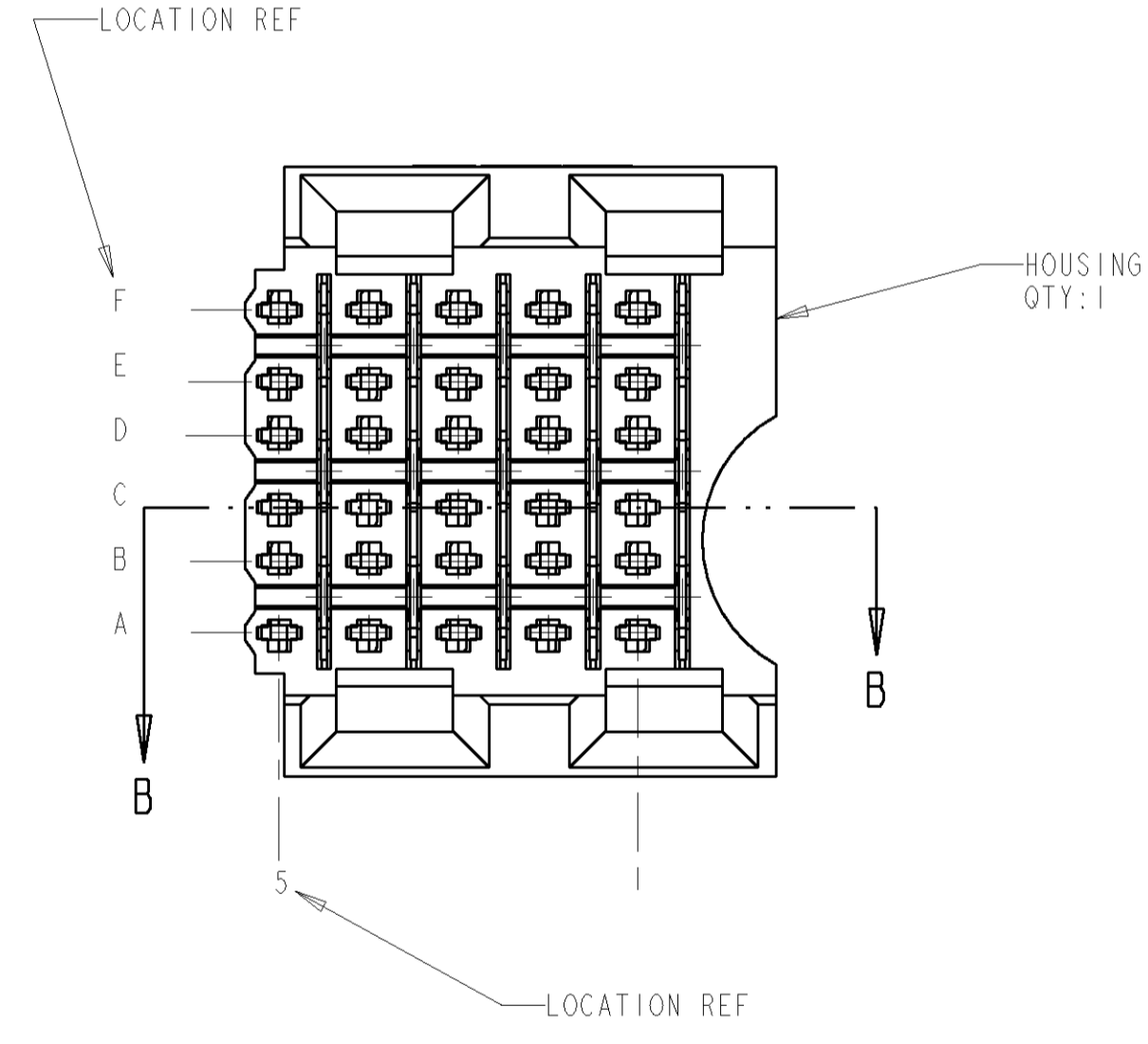
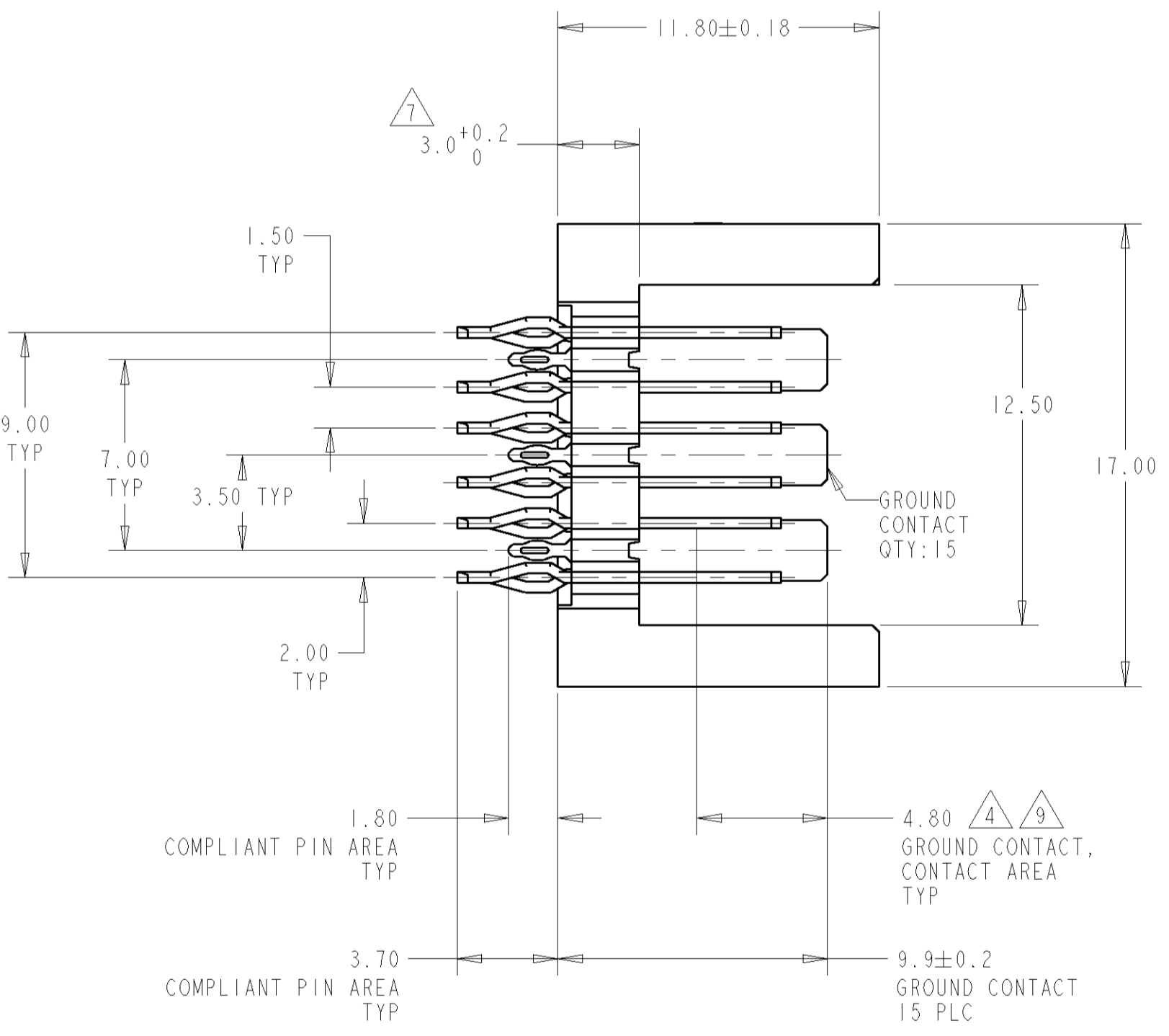


LOC	DIST	REV	DATE	BY	APPD
AD	00	0	REV PER EC 0512-0324-04	07DEC2004	BC RP

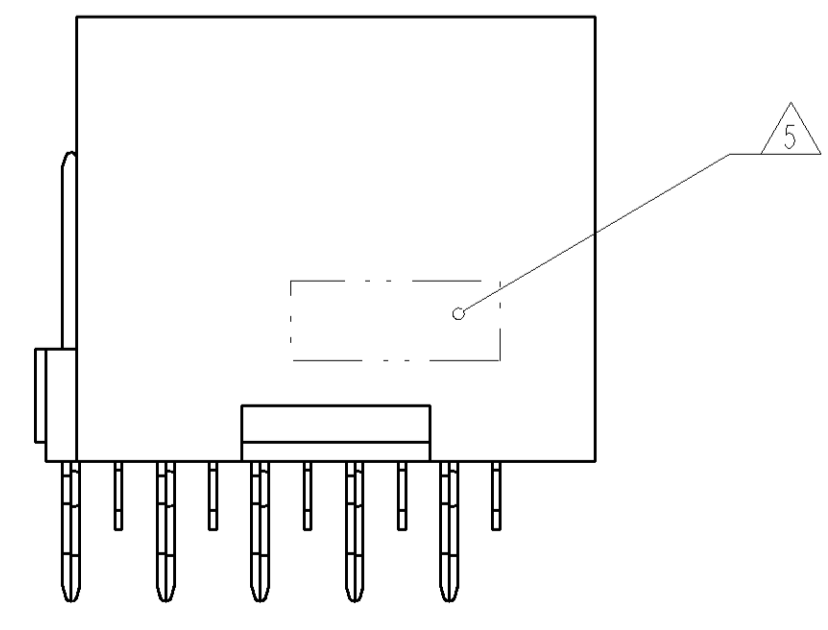
- 2 PHOSPHOR BRONZE
- 3 GLASS FILLED POLYESTER
- 4 0.76µm MIN GOLD OVER 1.27µm MIN NICKEL ON CONTACT AREA
0.76µm MIN TIN OVER 1.27µm MIN NICKEL ON COMPLIANT PIN AREA
- 5 CONNECTOR MARKED WITH PART NUMBER AND DATE CODE
- 6 REFERENCE APPLICATION SPEC 114-13020 FOR RECOMMENDED PLATED THRU HOLE DIAMETER AND PLATING THICKNESS.
- 7 APPLICATION SEATING HEIGHT TO PRINTED CIRCUIT BOARD
- 8 DATUMS AND BASIC DIMENSIONS ESTABLISHED BY CUSTOMER
- 9 CONTACT AREA LUBRICATED WITH BELLCORE APPROVED LUBRICANT
TECHNICAL REFERENCE: GR-1217-CORE, ISSUE 1, NOVEMBER 1995
- 10 HOLE DIAMETER SHOULD BE 3.10 WHEN USING FEED THROUGH GUIDE PIN P/N 120759
CLEARANCE FOR A M3x0.5 THREAD



SECTION B-B



RECOMMENDED PRINTED CIRCUIT BOARD LAYOUT
 COMPONENT SIDE OF PRINTED CIRCUIT BOARD



5.30	9.7	5120678-2
3.90	8.2	5120678-1
M	L	PART NUMBER

DIMENSIONS: mm TOLERANCES UNLESS OTHERWISE SPECIFIED: 0 PLC ± 1 PLC ±0.13 3 PLC ±0.05 4 PLC ± ANGLES ±		DWN B CARBO 07DEC04 ENR R PATTERSON 07DEC04 APVD R PATTERSON 07DEC04 PRODUCT SPEC APPLICATION SPEC WEIGHT CUSTOMER DRAWING		tyco Tyco Electronics Electronics Harrisburg, PA 17105-3608	
MATERIAL HOUSING: 3 CONTACTS: 2 SIGNAL CONTACT: 4		NAME: HEADER ASSEMBLY, 30 POSITION, LEFT HAND, 6 ROW, Z-PACK HS3 SIZE: A1 CAGE CODE: 00779 DRAWING NO: C=5120678 SCALE: 5:1 SHEET: 1 OF 1 REV: 0		RESTRICTED TO	