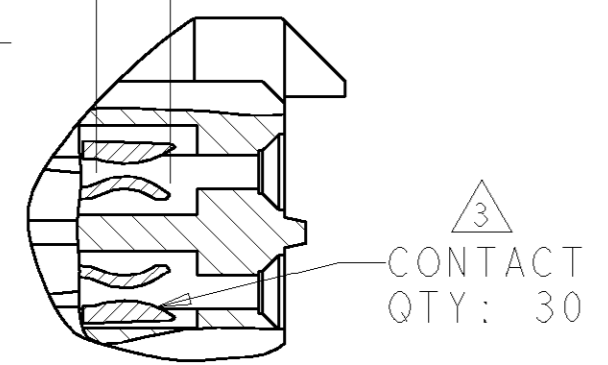


THIS DRAWING IS UNPUBLISHED. RELEASED FOR PUBLICATION 2000
 © COPYRIGHT 2000 BY TYCO ELECTRONICS CORPORATION. ALL RIGHTS RESERVED.

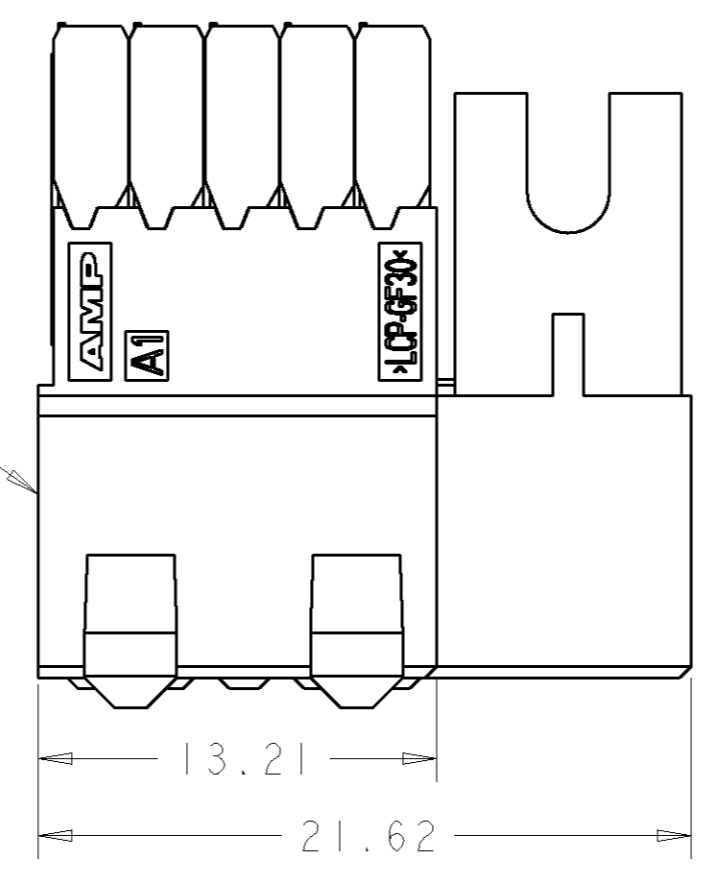
LOC	DIST	REVISIONS					
AD	00	P	LTR	DESCRIPTION	DATE	DWN	APVD
		0		REV PER EC 0S12-0324-04	07DEC2004	BC	RP
		01		REV PER ECO-06-024579	22JAN2007	JRP	RAP

CONTACT AREA TYPICAL



DETAIL M
SCALE 8:1

HOUSING QTY: 1



13.21

21.62

SHIELD QTY: 5

21.67 1.00 TYP

SEATING HEIGHT TO BOARD SURFACE

13.18 +0.20 / 0

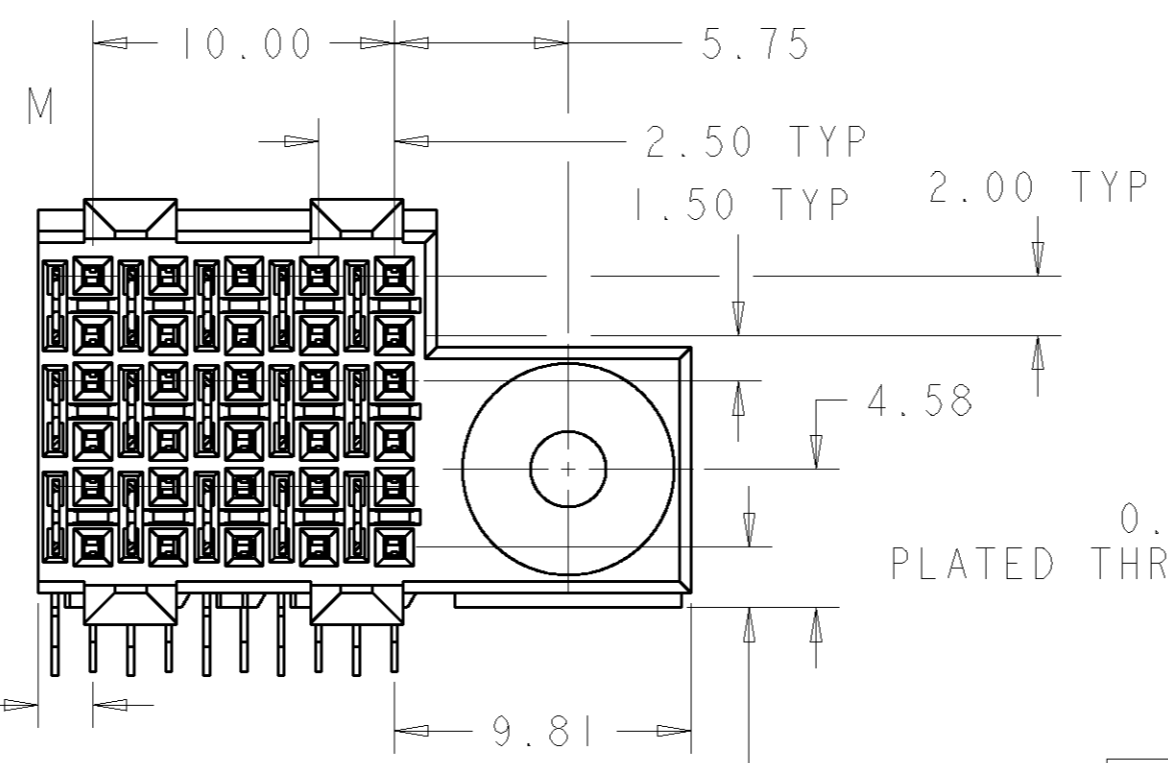
TRMINATION AREA

12.00 14.10

TRMINATION AREA

1.50 TYP 2.00 TYP 10.80 TYP

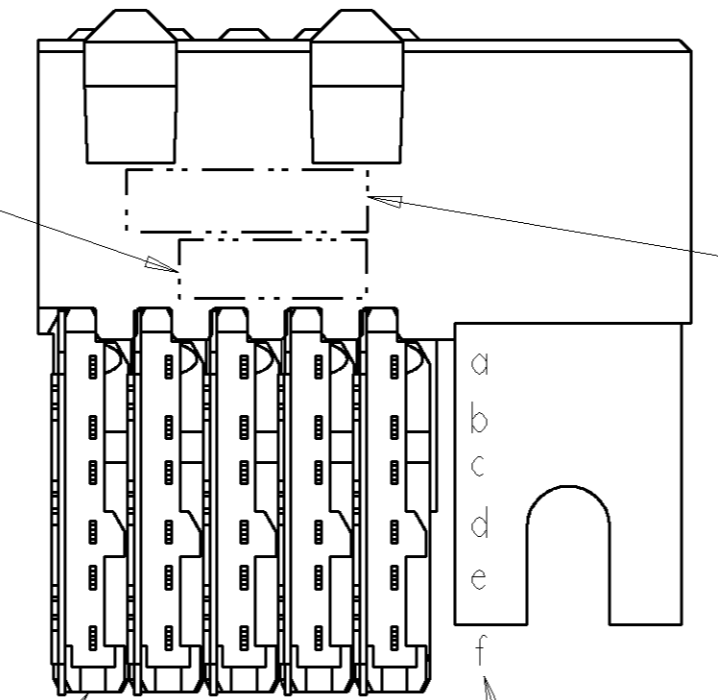
CONTACT AREA TYPICAL



1.81

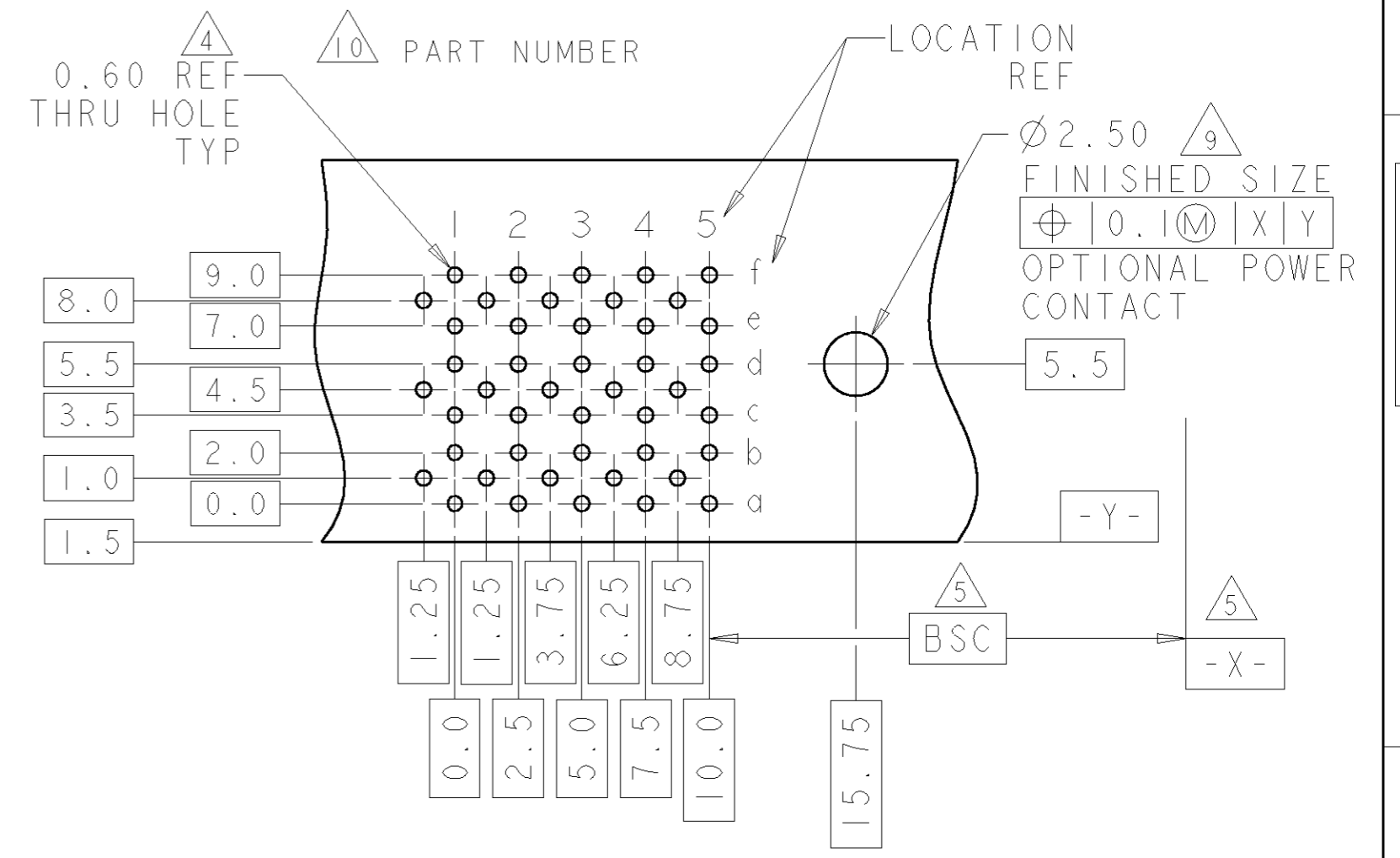
DISTANCE FROM ROW "a" TO BOARD SURFACE

CHICKLET QTY: 5



LOCATION REF

- 1 0.76µm MIN GOLD OVER 1.27µm MIN NICKEL OR GOLD FLASH OVER 0.76µm MIN PALLADIUM-NICKEL OVER 1.27µm MIN NICKEL
- 2 0.76µm MIN TIN OVER 1.27µm MIN NICKEL
- 3 MATERIAL:
CONTACT - COPPER ALLOY
SHIELD - PHOSPHOR BRONZE
HOUSING - LCP, UL94V-0
CHICKLET - GLASS FILLED POLYESTER
- 4 REFERENCE APPLICATION SPEC 114-13020 FOR RECOMMENDED PLATED THRU HOLE DIAMETER AND PLATING THICKNESS.
- 5 DATUM AND BASIC DIMENSION ESTABLISHED BY CUSTOMER.
- 6 SEATING HEIGHT TO BOARD SURFACE.
- 7 CONTACT AREA LUBRICATED WITH BELLCORE APPROVED LUBRICANT. TECHNICAL REFERENCE: GR-1217-CORE, ISSUE 1, NOVEMBER 1995.
- 8 DATE CODE
- 9 OPTIONAL POWER CONTACT PN 535875-X
- 10 PART NUMBER



RECOMMENDED PRINTED CIRCUIT BOARD LAYOUT
COMPONENT SIDE OF PRINTED CIRCUIT BOARD

5120788-1
PART NUMBER

THIS DRAWING IS A CONTROLLED DOCUMENT FOR TYCO ELECTRONICS CORPORATION IT IS SUBJECT TO CHANGE AND THE CONTROLLING ENGINEERING ORGANIZATION SHOULD BE CONTACTED FOR THE LATEST REVISION.		DWN B. CARBO 07DEC04 CHK R. PATTERSON 07DEC04 APVD R. PATTERSON 07DEC04	tyco Electronics AMP Incorporated Harrisburg, PA 17105-3608
DIMENSIONS: mm	TOLERANCES UNLESS OTHERWISE SPECIFIED: 0 PLC ± 1 PLC ± 2 PLC ±0.13 3 PLC ±0.050 4 PLC ± ANGLES ±	PRODUCT SPEC 108-1957 APPLICATION SPEC 114-13020 WEIGHT -	NAME RECEPTACLE ASSEMBLY, 30 POSITION RIGHT HAND, 6 ROW, DUAL BEAM, Z-PACK HS3
MATERIAL 3	FINISH SOLDER TAIL: 2 CONTACT: 1	SIZE A2 CAGE CODE 00779 DRAWING NO. 5120788 RESTRICTED TO -	SCALE 4:1 SHEET 1 OF 1 REV 01