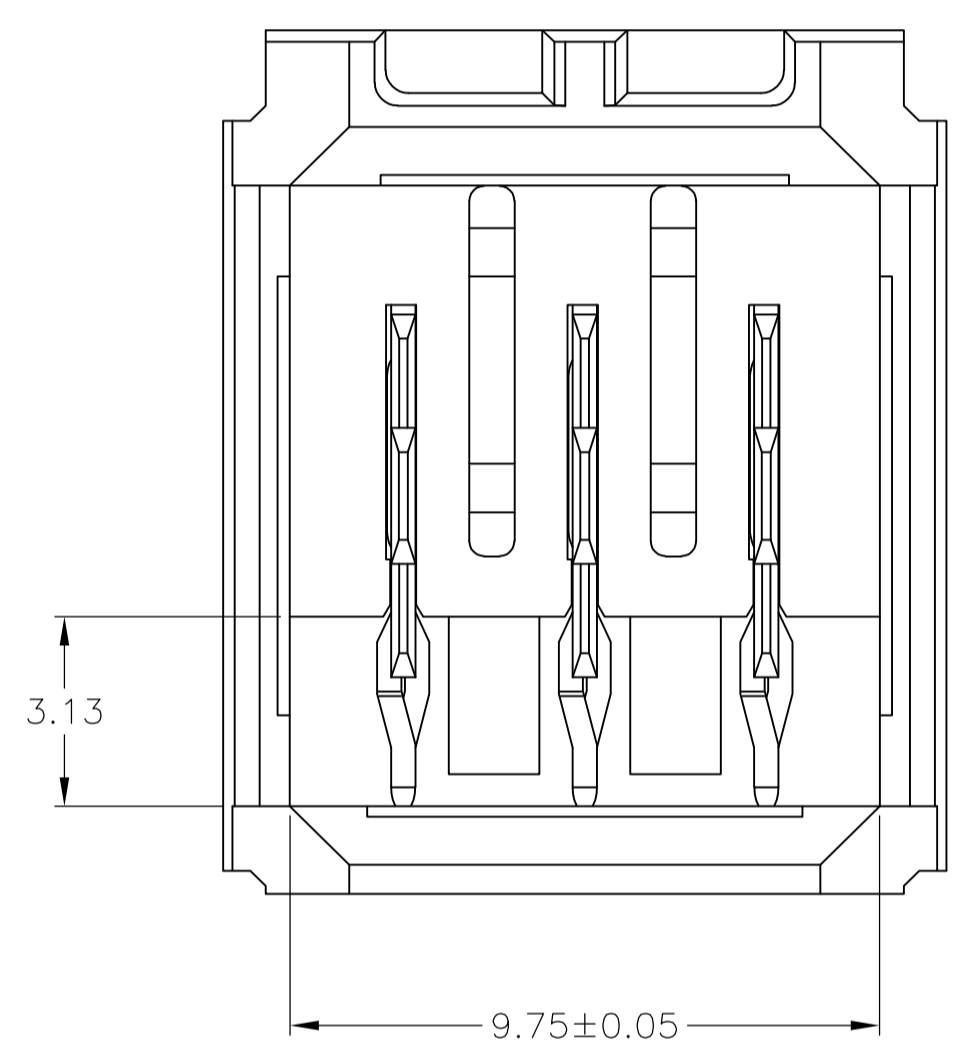
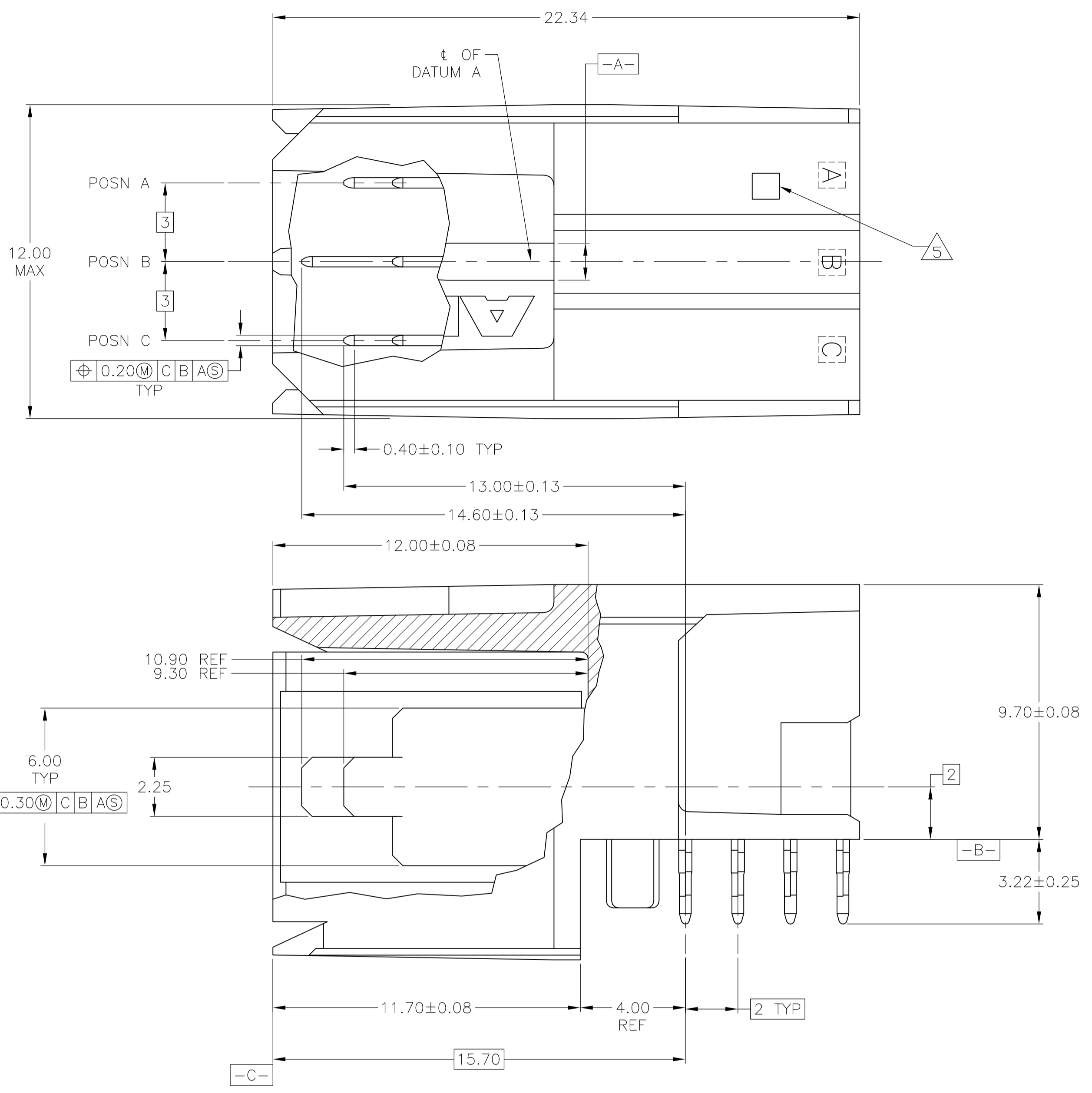
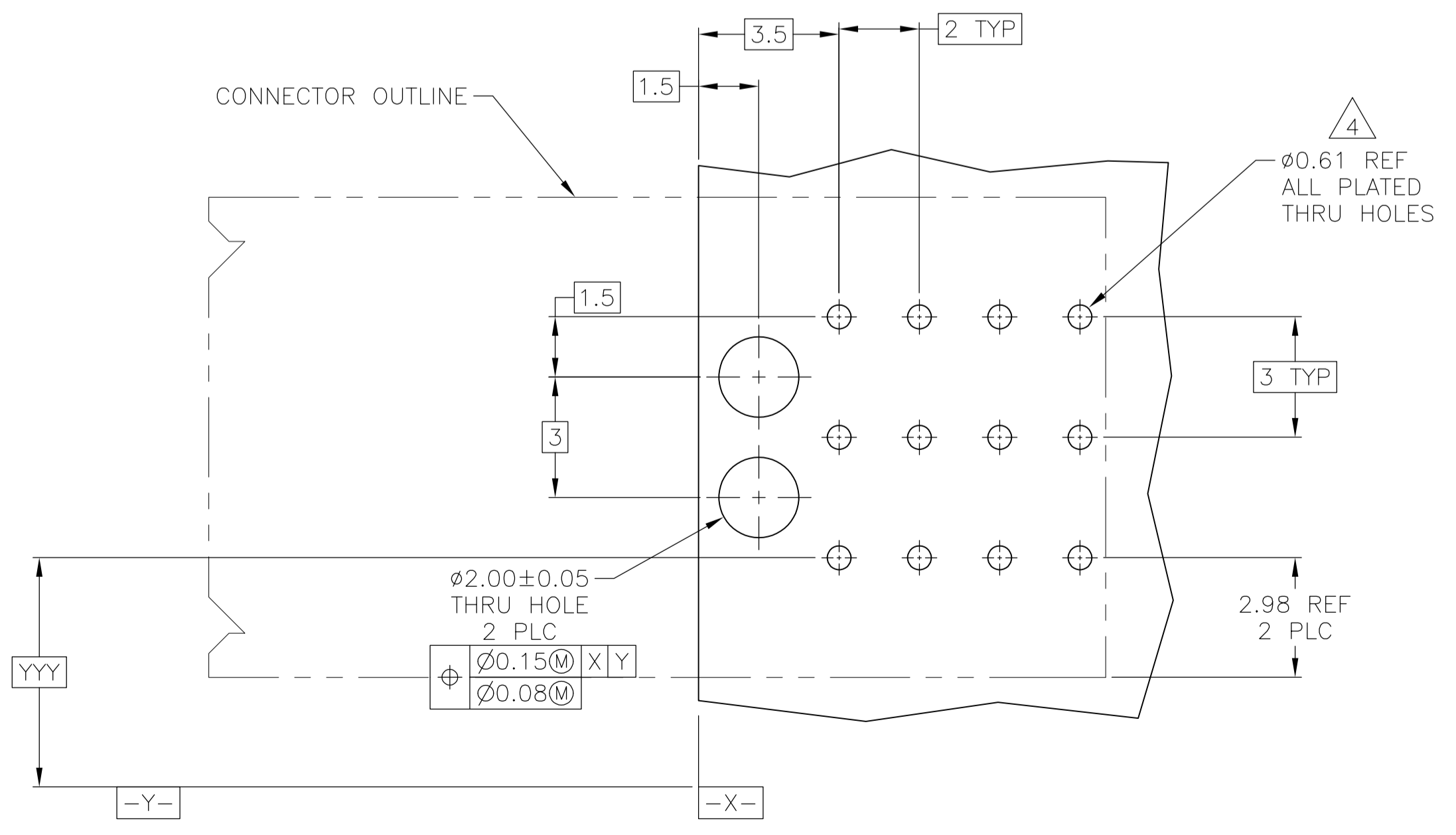
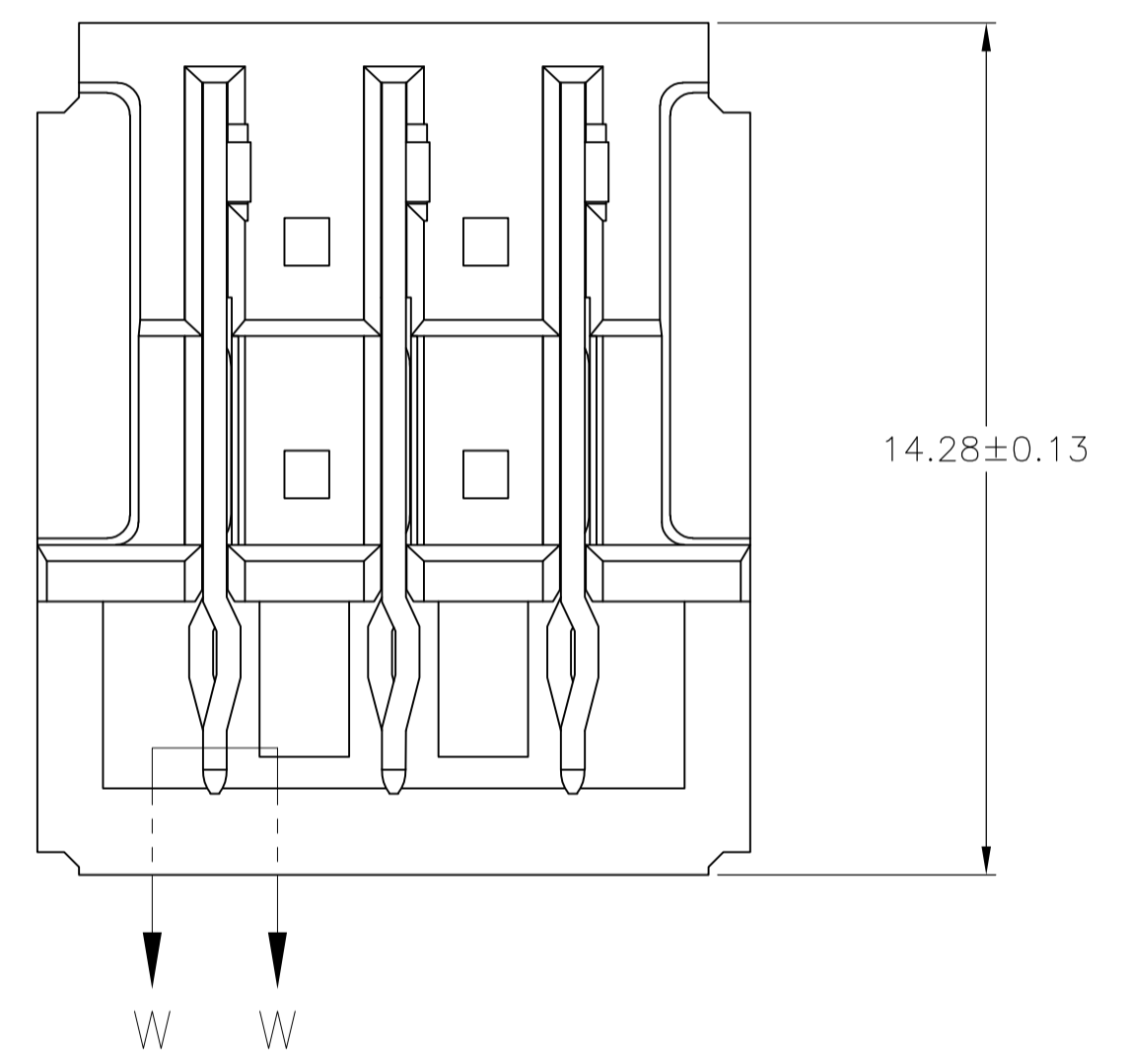


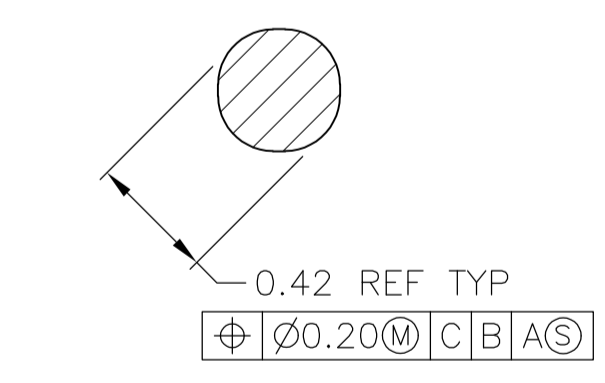
LOC		DIST		REVISIONS			
AD	00	REV	DATE	BY	APPV	DATE	BY
B		REVISED PER ECO-09-017741	10AUG09	DH	DY		



- 1 HOUSING: POLYESTER, GRAY. UL 94V-0. CONTACT: PHOSPHOR BRONZE.
- 2 CONTACT: MATING AREA: 1.27µm MIN GOLD OR 0.08µm MIN GOLD OVER 0.76µm MIN PALLADIUM-NICKEL. ACTION PIN AREA: 0.5µm MIN TIN PLATE. ALL OVER 1.27µm MIN NICKEL UNDERPLATE.
- 3 CONTACT LUBRICATION WITH BELCORE APPROVED LUBRICANT. TECHNICAL REFERENCE: TR-NWT-001217 ISSUE 1, SEPT 1992.
- 4 REFERENCE APPLICATION SPEC 114-1103 FOR RECOMMENDED PLATED THRU HOLE DIAMETER AND PLATING THICKNESS.
- 5 NUMBER "2" MARKED IN THIS AREA.
- 6 HOUSING: POLYESTER, GRAY. UL 94V-0. CONTACT: HI-CURRENT COPPER ALLOY.
- 7 CURRENT RATING 10A/CONTACT FOR PHOS BRONZE CONTACT AND 16A/CONTACT FOR HIGH CURRENT COPPER ALLOY CONTACTS PER PRODUCT SPEC 108-1651.



RECOMMENDED PCB HOLE LAYOUT



SECTION W-W
SCALE 40:1

REV	DATE	BY	APPV	REMARKS	PART NUMBER
5					5-5223963-1
4					5223963-7
3					5223963-1

THIS DRAWING IS A CONTROLLED DOCUMENT.		DIN B CARDO 29OCT04	Tyco Electronics Corporation Harrisburg, PA 17105-3608	
DIMENSIONS: mm		CHK R PATTERSON 29OCT04	NAME R PATTERSON 29OCT04	
TOLERANCES UNLESS OTHERWISE SPECIFIED:		PRODUCT SPEC		
0 PLC	± -	APPLICATION SPEC		
1 PLC	± -	SIZE		
2 PLC	± 0.13	CODE		
3 PLC	± -	DRAWING NO		
4 PLC	± -	RESTRICTED TO		
ANGLES	± -	WEIGHT		
FINISH SEE TABLE		A1 00779 C=5223963		SCALE 8:1 SHEET 1 OF 1 REV B
MATERIAL SEE TABLE		CUSTOMER DRAWING		