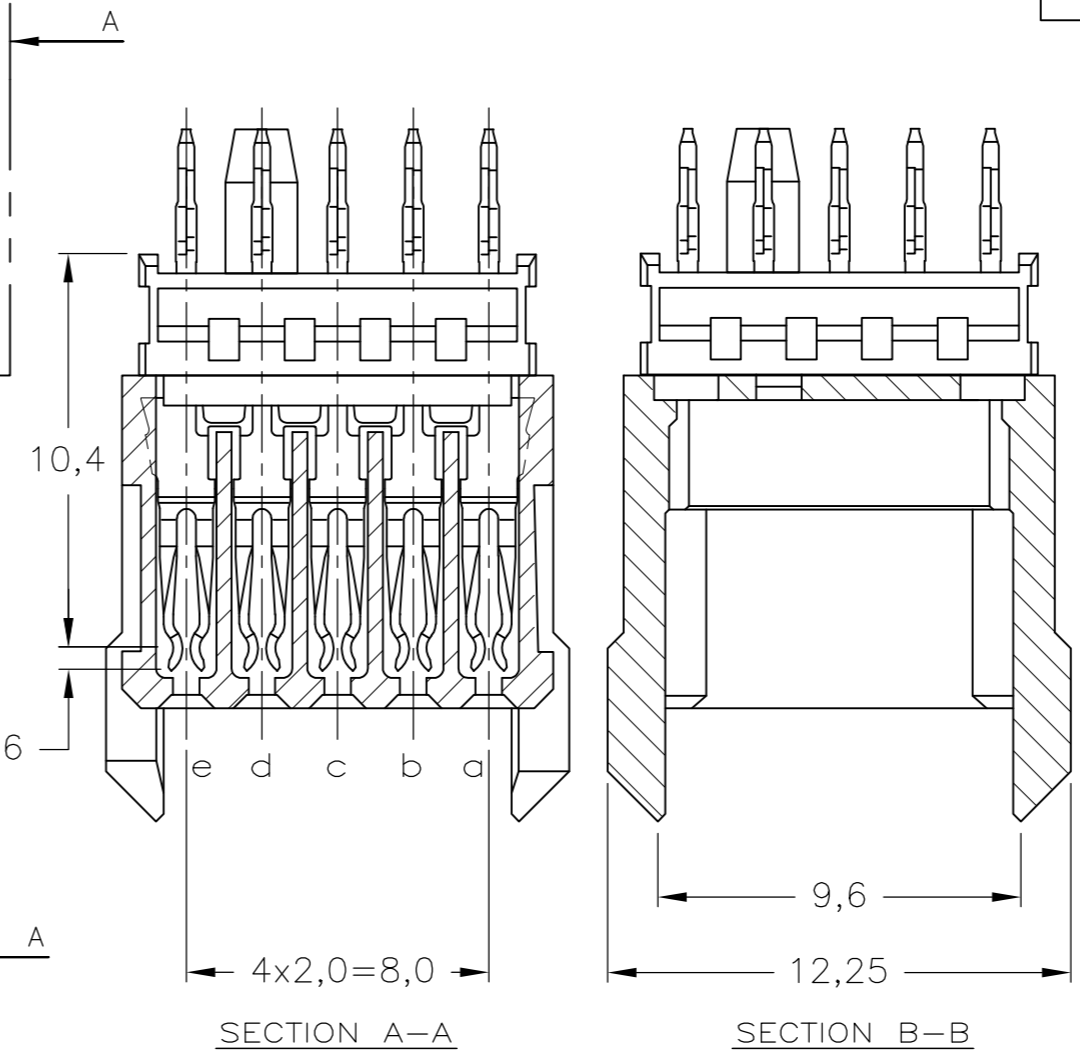
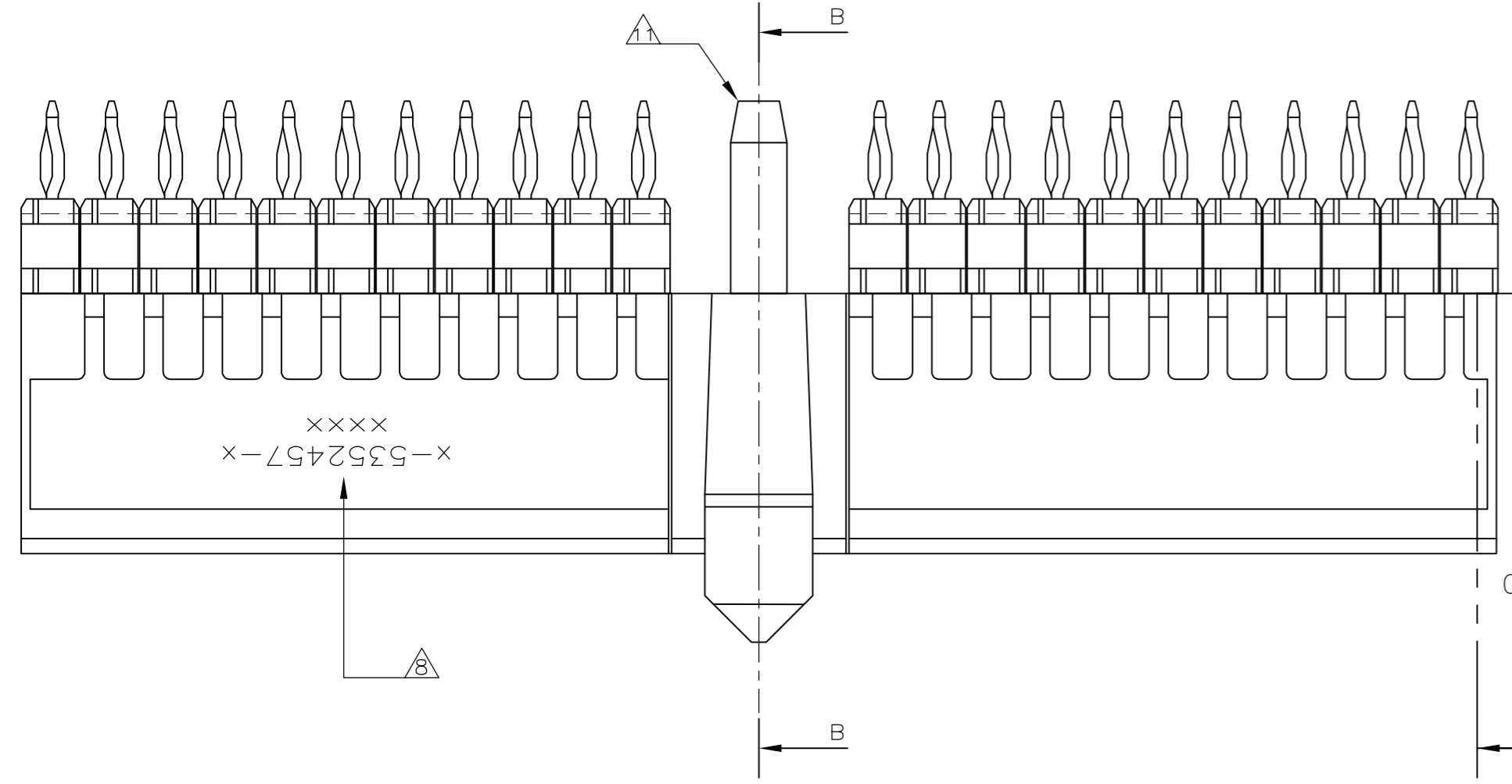
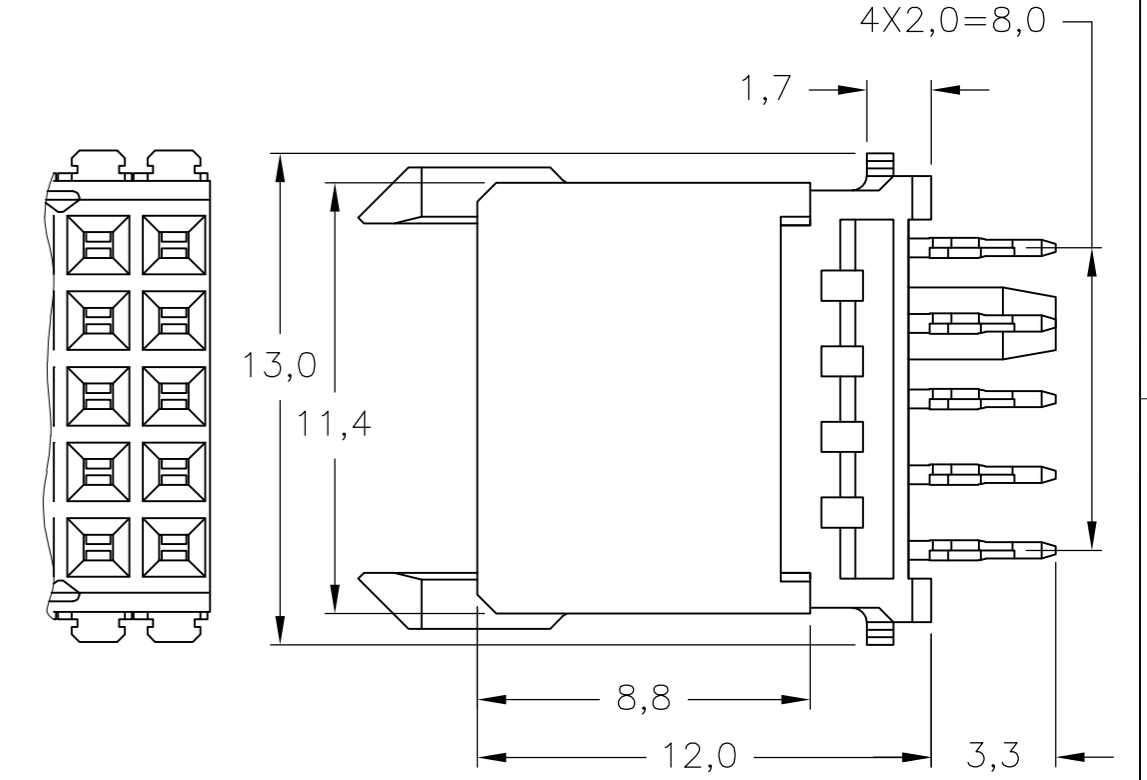
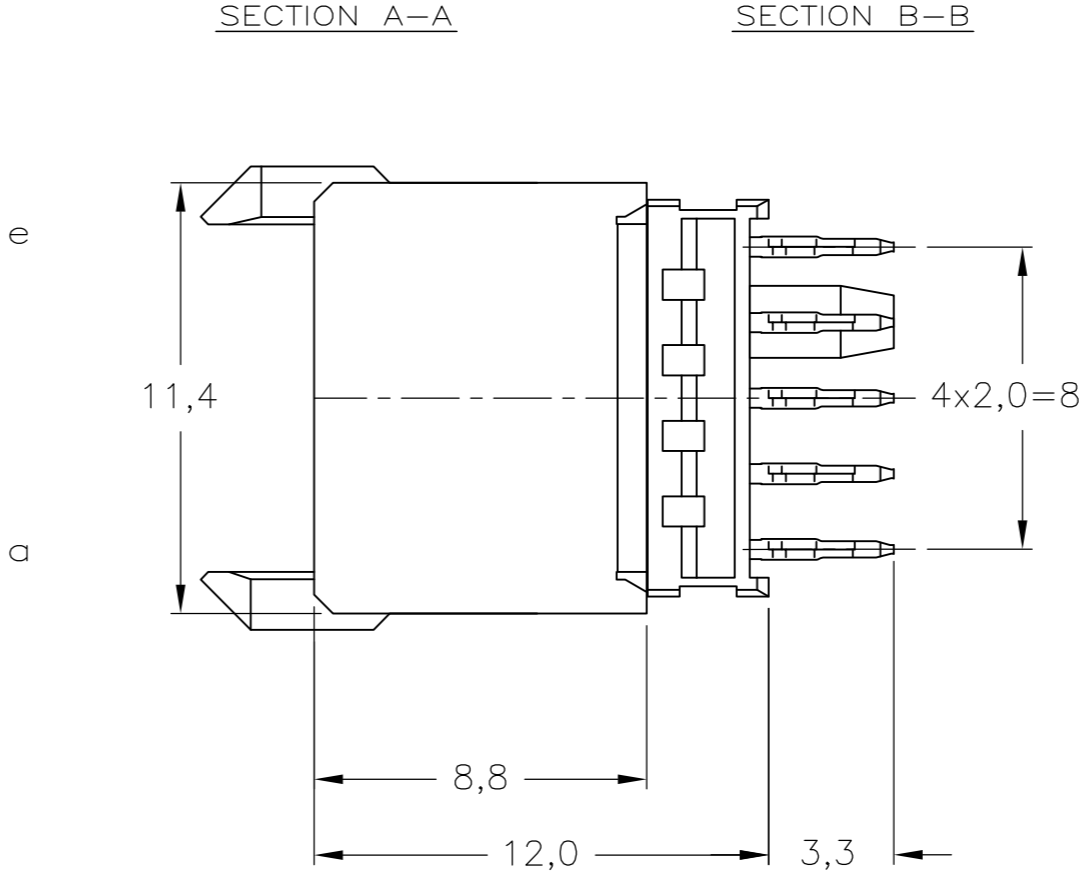
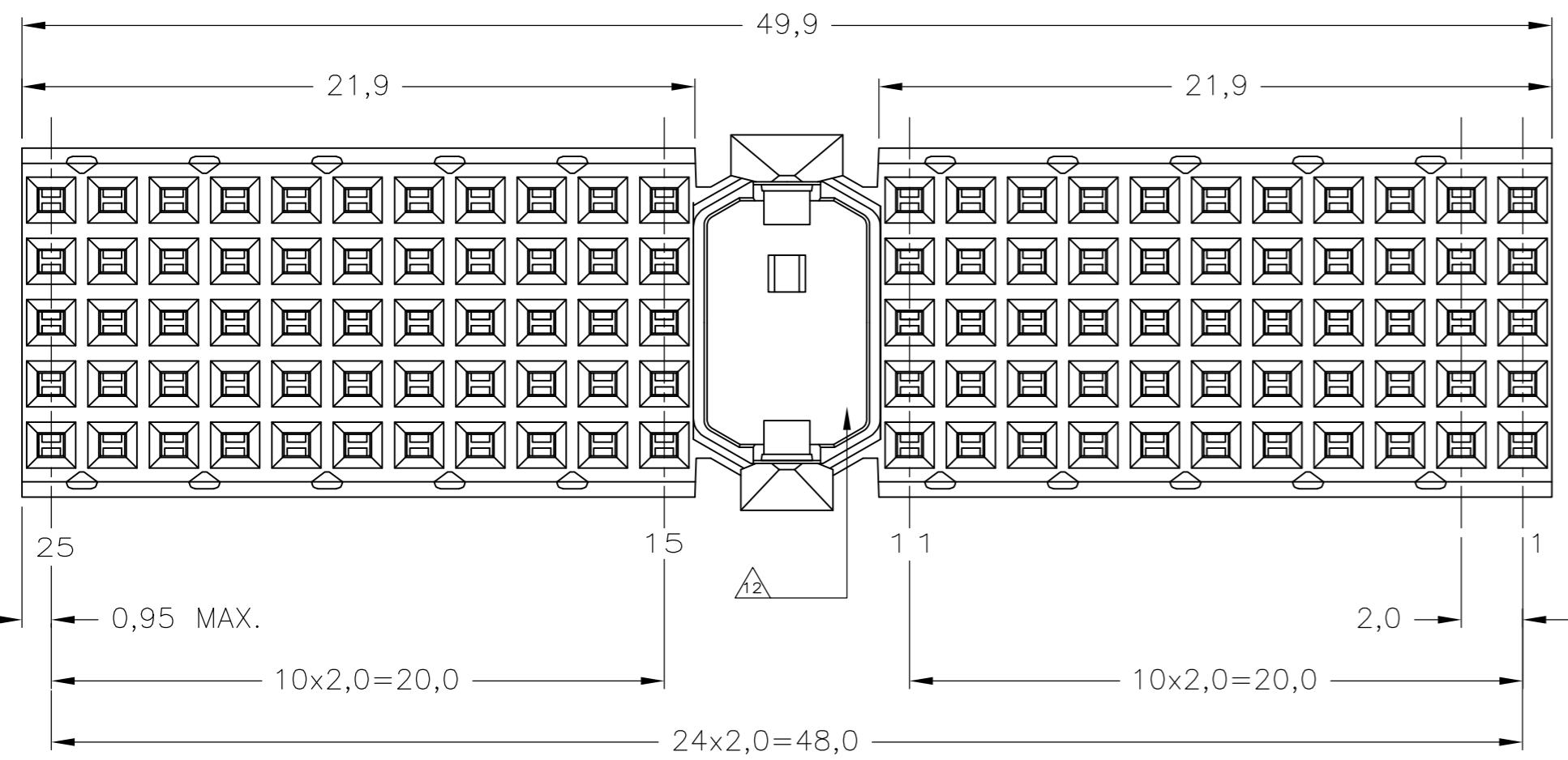


THIS DRAWING IS UNPUBLISHED. RELEASED FOR PUBLICATION
 © COPYRIGHT BY TYCO ELECTRONICS CORPORATION. ALL RIGHTS RESERVED.

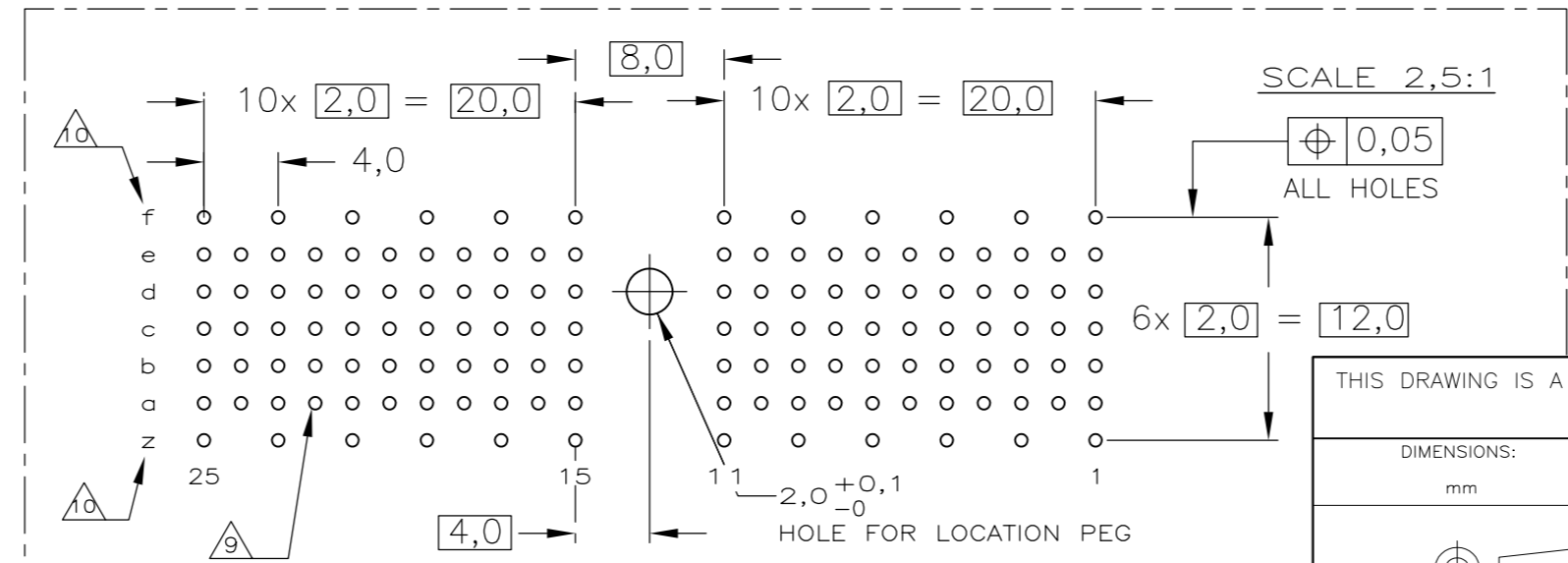
LOC	DIST	REVISIONS					
		P	LTR	DESCRIPTION	DATE	DWN	APVD
H	-	B1		REVISED PER ECO-10-000444	30JAN10	KK	HMR
		C		ECR-10-019054	15SEP10	DP	MQW



ALTERNATE FORM



- NOTES:
- △ MATERIAL CONTACT; PHOSPHORBRONZE
MATERIAL HOUSING; GLASSFILLED POLYESTER
UL-RATING 94V0 (GRAY).
 - △ GENERAL PLATING SPECIFICATION: UNDERPLATING (ENTIRE CONTACT):
1,27µm NICKEL MIN. AND ACTION PIN: 0,5µm TIN MIN.
FOR PLATING OF MATING SURFACES SEE APPLICABLE SPECIFICATION
REFERENCE FOR EACH DASH NUMBER.
 - △ CONFORMS TO ALL TESTING ACCORDING IEC 61076-4-101
PERFORMANCE LEVEL 2.
 - △ CONFORMS TO ALL TESTING ACCORDING IEC 61076-4-101
PERFORMANCE LEVEL 1.
 - △ CONNECTOR TESTED AND QUALIFIED AGAINST TELCORDIA GR-1217-CORE
QUALITY LEVEL III, CENTRAL OFFICE APPLICATIONS.
 - △ CONNECTOR TESTED AND QUALIFIED AGAINST TELCORDIA GR-1217-CORE
QUALITY LEVEL III, UNCONTROLLED ENVIRONMENT APPLICATIONS.
 - △ CONNECTOR LUBRICATED WITH TELCORDIA GR-1217-CORE
APPROVED LUBRICANT.
 - △ CONNECTOR PRINTED WITH PARTNUMBER AND DATECODE.
 - △ PLATED-THROUGH HOLES AT 2x2mm SQUARE GRID (110 HOLES).
 - △ HOLES IN ROW f AND z FOR POSSIBLE FUTURE USE OF
GROUND RETURN SHIELD. (SHIELDS NOT YET TOOLED)
 - △ LOCATION PEG.
 - △ AREA RESERVED FOR KEYING PART (BASIC P.N.:100526).
 - △ OBSOLETE PARTS: OBSOLETE CIS STREAMLINING PER D.RENAUD/D.SINISI



COMPONENT SIDE AS SHOWN
 RECOMMENDED PCB-HOLE LAY-OUT
 P.C.B. HOLE DIM. ACTION PIN
 FOR DETAILS SEE
 APPLICATION SPECIFICATION

△3	OBSOLETE	△6	△7	△	1-5352457-9	
		△5	△4	△	5352457-9	
△3	OBSOLETE	△4	△3	△	5352457-4	
		△3	△2	△	5352457-1	
		FINISH			MATERIAL	PARTNUMBER

THIS DRAWING IS A CONTROLLED DOCUMENT.

DIMENSIONS:	TOLERANCES UNLESS OTHERWISE SPECIFIED:	DWN	25AUG2004	Tyco Electronics Corporation 's-Hertogenbosch,5222AR-32			
mm	±0.2	CHK	27OCT2004				
		APVD	27OCT2004				
		PRODUCT SPEC					
MATERIAL	FINISH	NAME		Z-PACK 2mm HM TYPE A			
		APPLICATION SPEC		110 POS. VERTICAL FEMALE CONNECTOR WITH LOCATION PEG			
		WEIGHT	114-19029	SIZE	CAGE CODE	DRAWING NO	RESTRICTED TO
				A2	00779	C=5352457	-
CUSTOMER DRAWING				SCALE	5:1	SHEET	1 OF 1
				REV			C