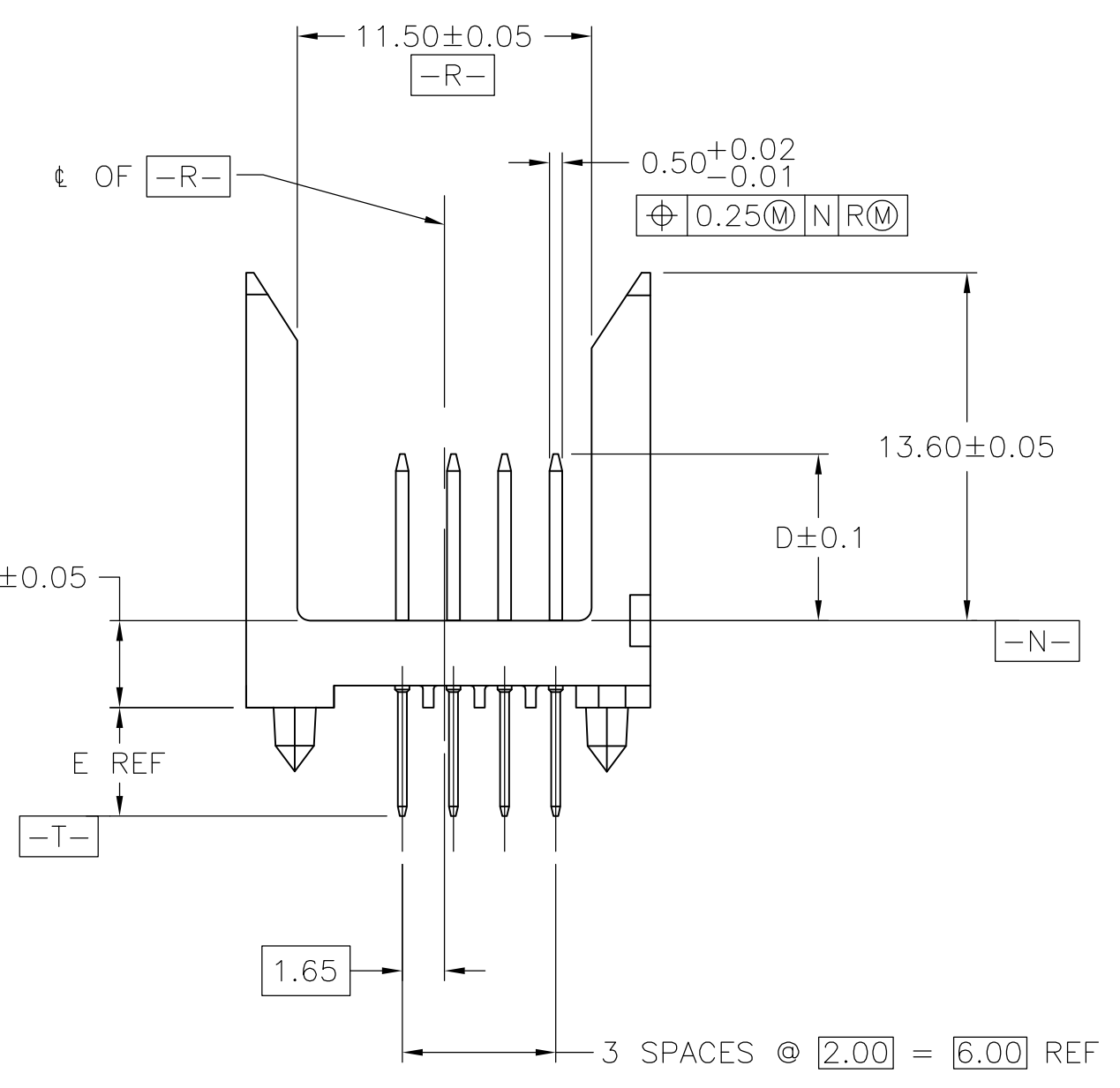
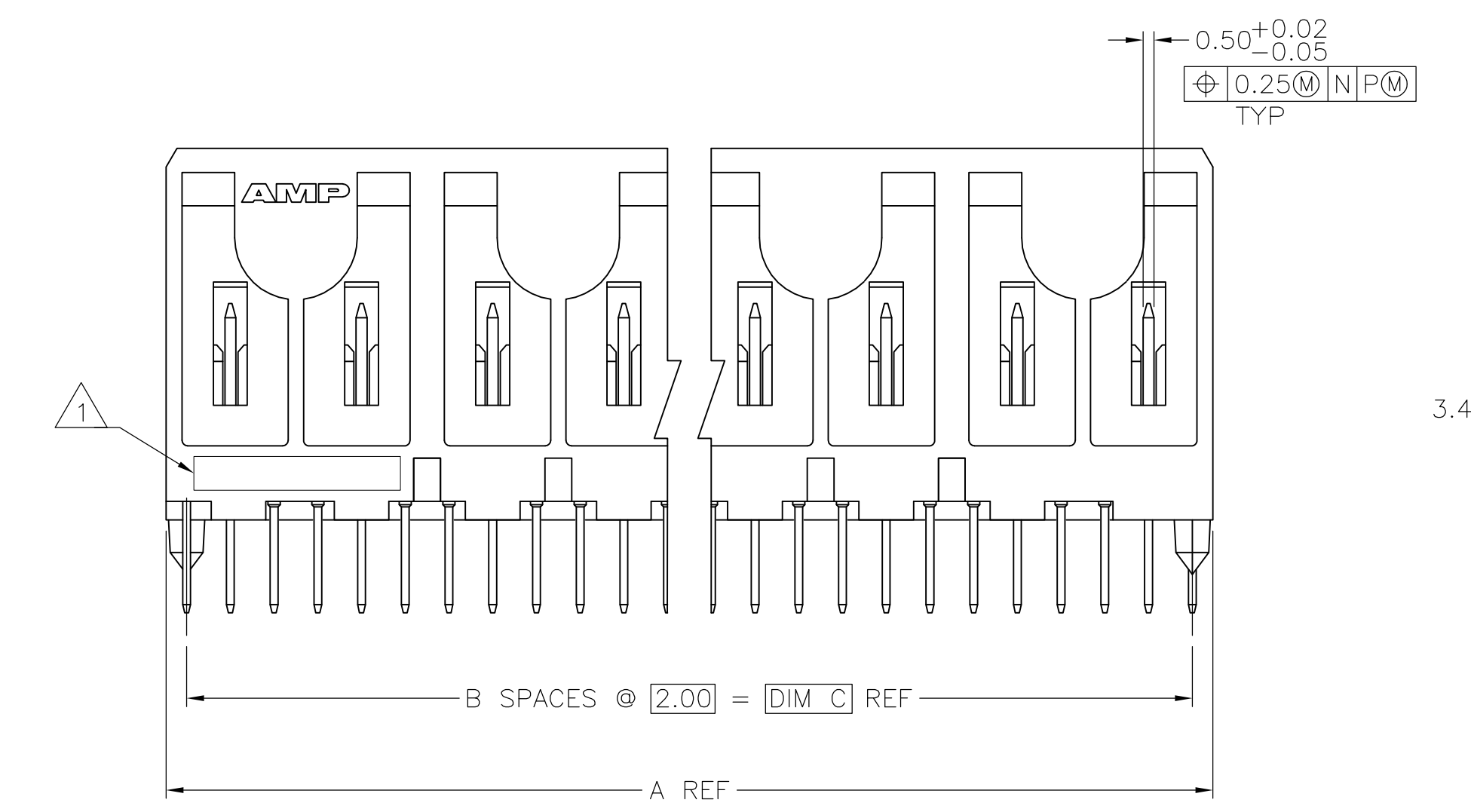
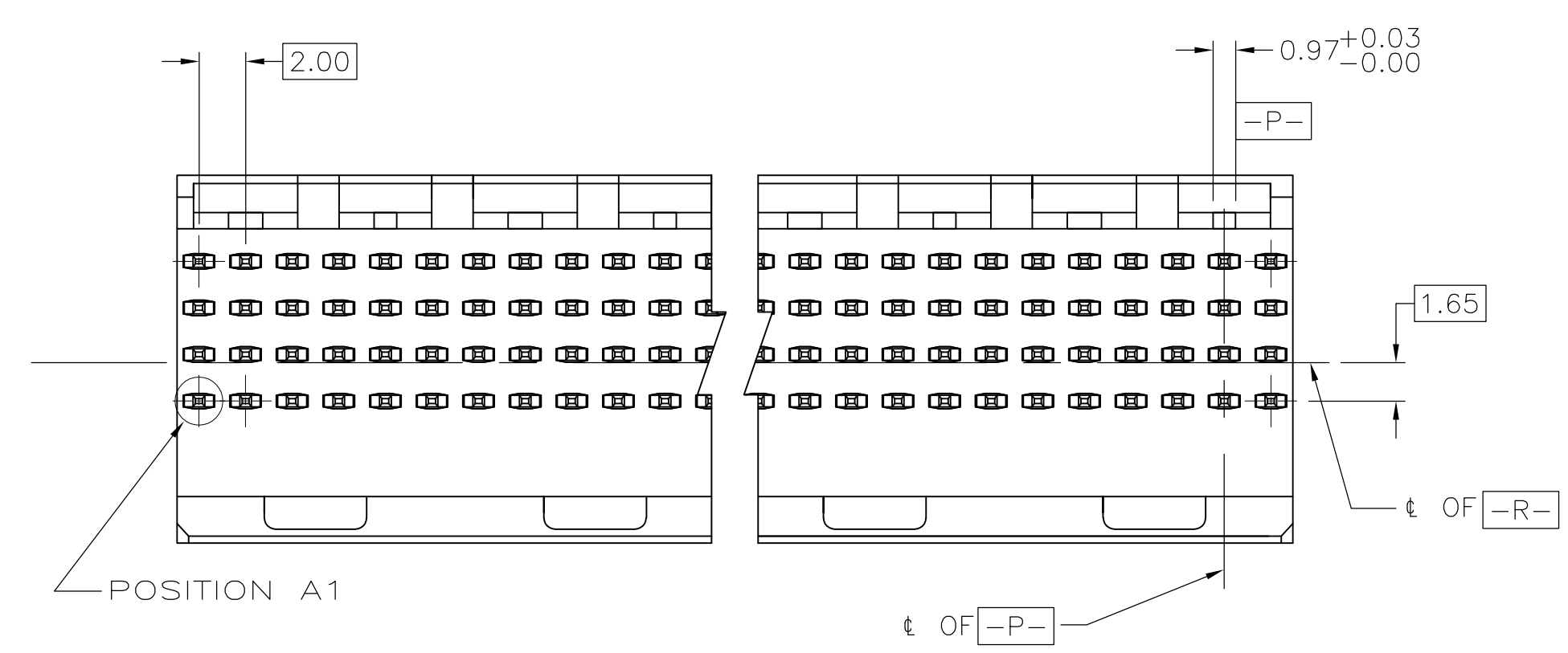
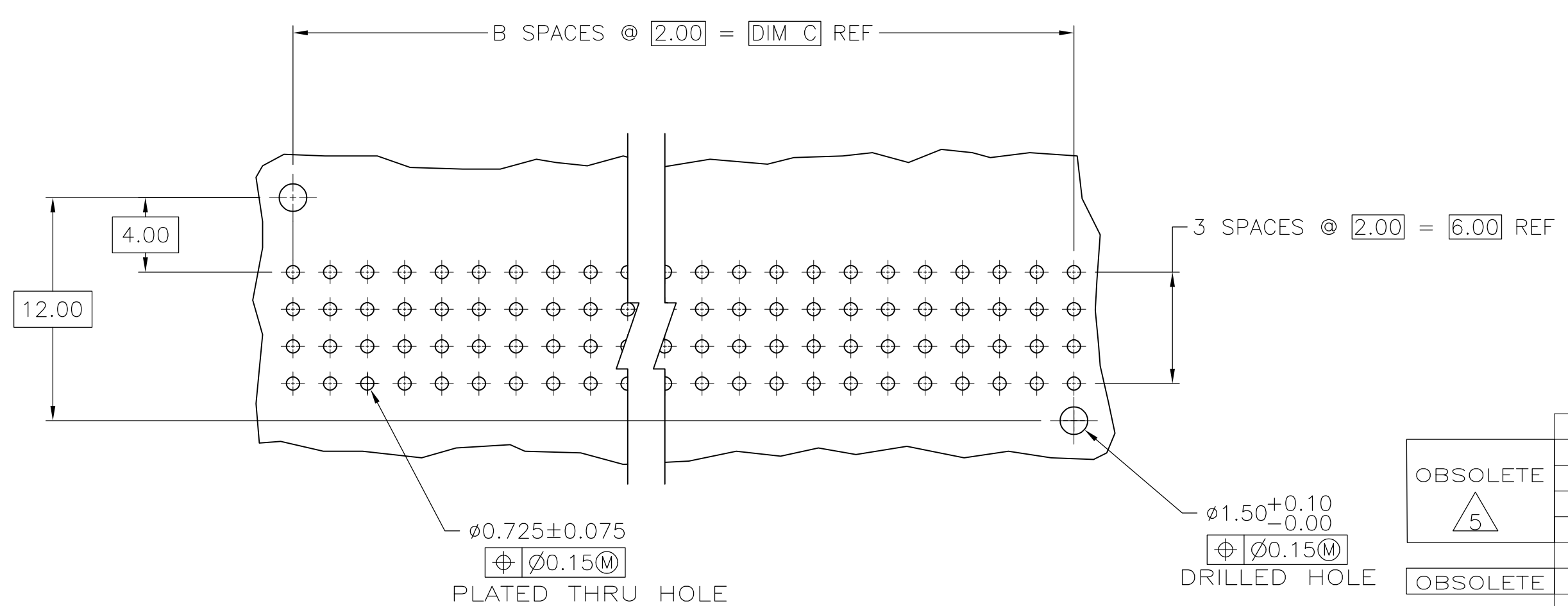
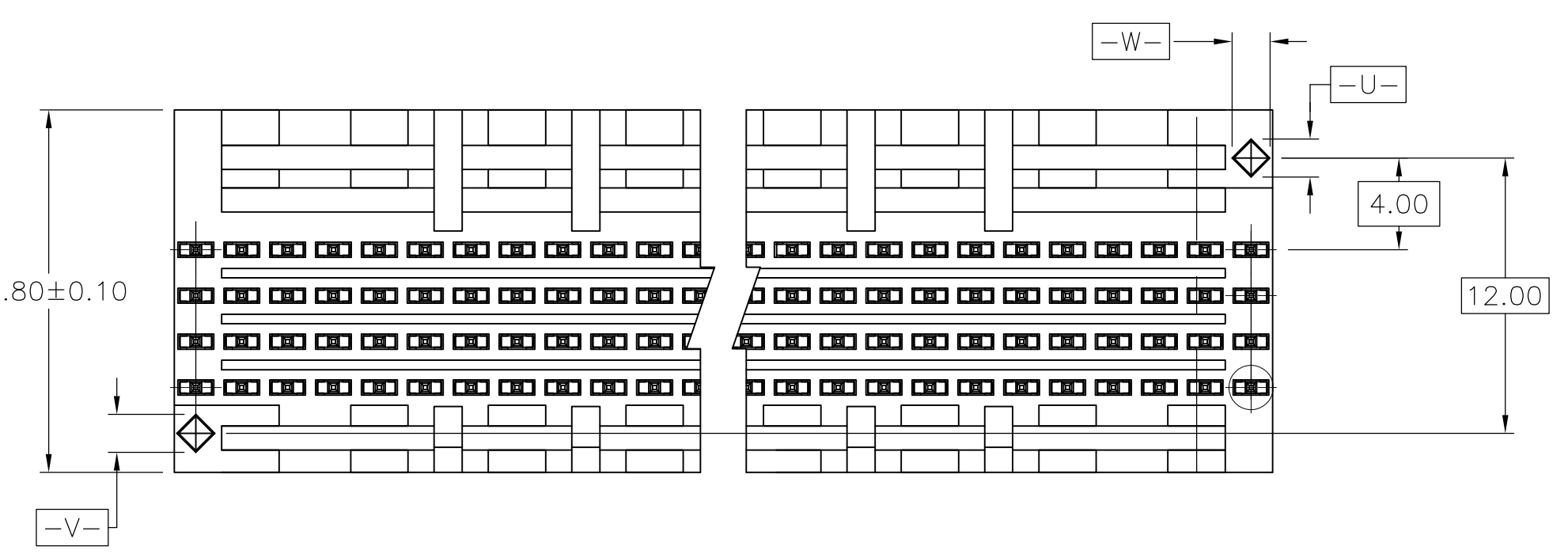


LOC	DIST	REVISIONS			
P	LTR	DESCRIPTION	DATE	OWN	APPD
A		REVISED PER EC 0512-0213-05	13JUL05	JDP	RW
A1		REVISED PER ECO-10-000444	19JAN10	KK	HMR



DETAIL Z
SCALE 20:1



RECOMMENDED CIRCUIT PATTERN
PER IPC-D300 TYPE II, CLASS C
(COMPONENT SIDE)

- 1 HOUSING MATERIAL: LIQUID CRYSTAL POLYMER PER ASTM D5138 LCP000 G30A 32250.
- 2 CONTACT MATERIAL: PHOSPHOR BRONZE.
- 3 CONTACT FINISH:
UNDERPLATE (ENTIRE CONTACT):
0.00127 MIN NICKEL PER SAE-AMS-QQ-N-290.
ON MATING SURFACES:
CONFORMS TO ALL TESTING SPECIFIED FOR TELCORDIA UNCONTROLLED ENVIRONMENT.
ON LEADS
0.00381 MIN TIN PER ASTM B 545 OVER UNDERPLATE.
LUBRICATION (MIN MATING SURFACES):
SURFACE CONDITIONER AFTER PLATING.
- 4 PART MARKING, LOCATED APPROXIMATELY AS SHOWN.
- 5 OBSOLETE PARTS: OBSOLETE CIS STREAMLINING PER D.RENAUD/D.SINISI

4.25	6.5	34	17	35.88	3	72	1-5536501-1
4.25	6.5	130	65	131.88	3	264	1-5536501-0
4.25	6.5	106	53	107.88	3	216	5536501-9
4.25	6.5	118	59	119.88	3	240	5536501-8
4.25	6.5	82	41	83.88	3	168	5536501-7
4.25	6.5	58	29	59.88	3	120	5536501-6
4.25	6.5	70	35	71.88	3	144	5536501-5
4.25	6.5	94	47	95.88	3	192	5536501-4
4.25	6.5	46	23	47.88	3	96	5536501-3
4.25	6.5	22	11	23.88	3	48	5536501-2
4.25	6.5	10	5	11.88	3	24	5536501-1

THIS DRAWING IS A CONTROLLED DOCUMENT.

OWN: B. MCMASTER 30AUG04
CHK: R. WERTZ 30AUG04
APVD: R. WERTZ 30AUG04

Tyco Electronics Tyco Electronics Corporation
Harrisburg, Pa 17105-3608

NAME: Z-PACK 2mm FB, SIGNAL MODULE, PIN ASSEMBLY
PRODUCT SPEC: 2mm

APPLICATION SPEC: -
SIZE: A1
CAGE CODE: 00779
DRAWING NO: C=5536501

MATERIAL: -
FINISH: 1, 2, 3

WEIGHT: -
SCALE: 4:1
SHEET: 1 OF 1
REV: A1

CUSTOMER DRAWING