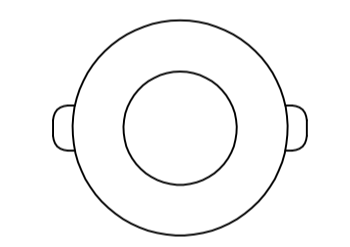
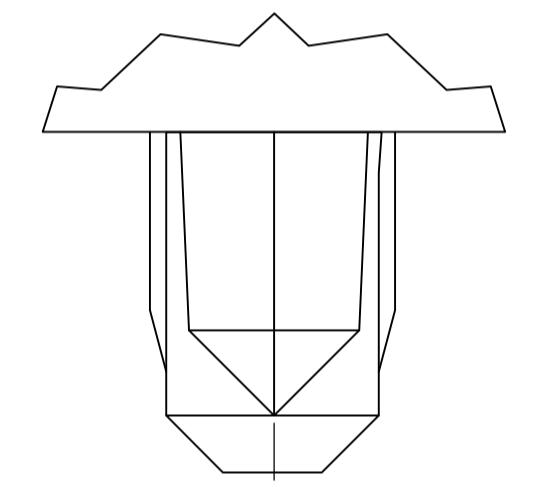
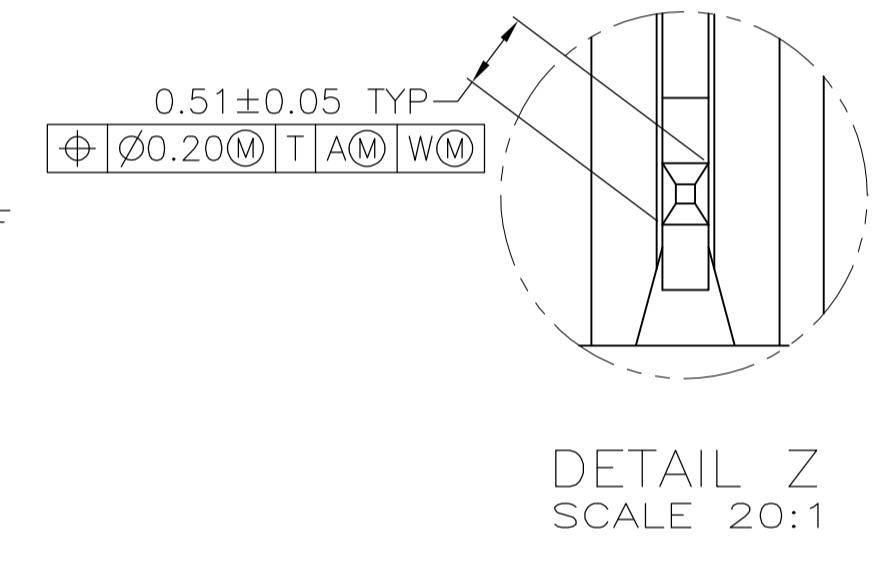
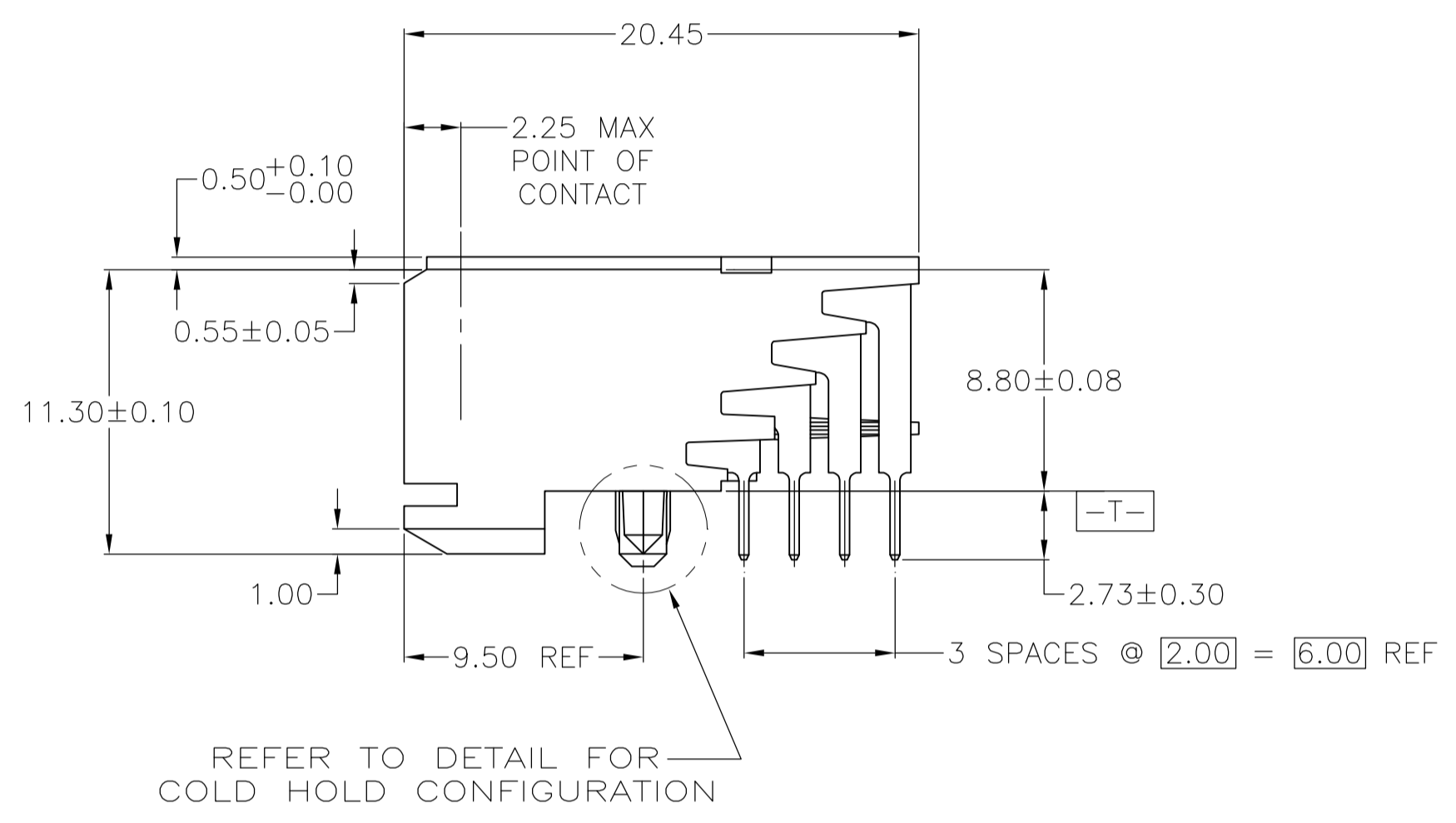
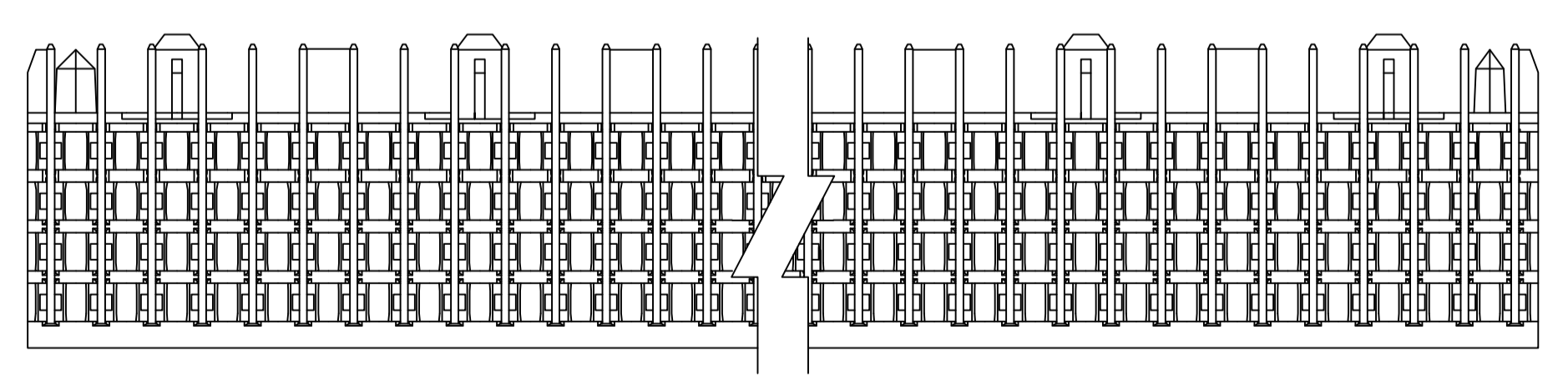
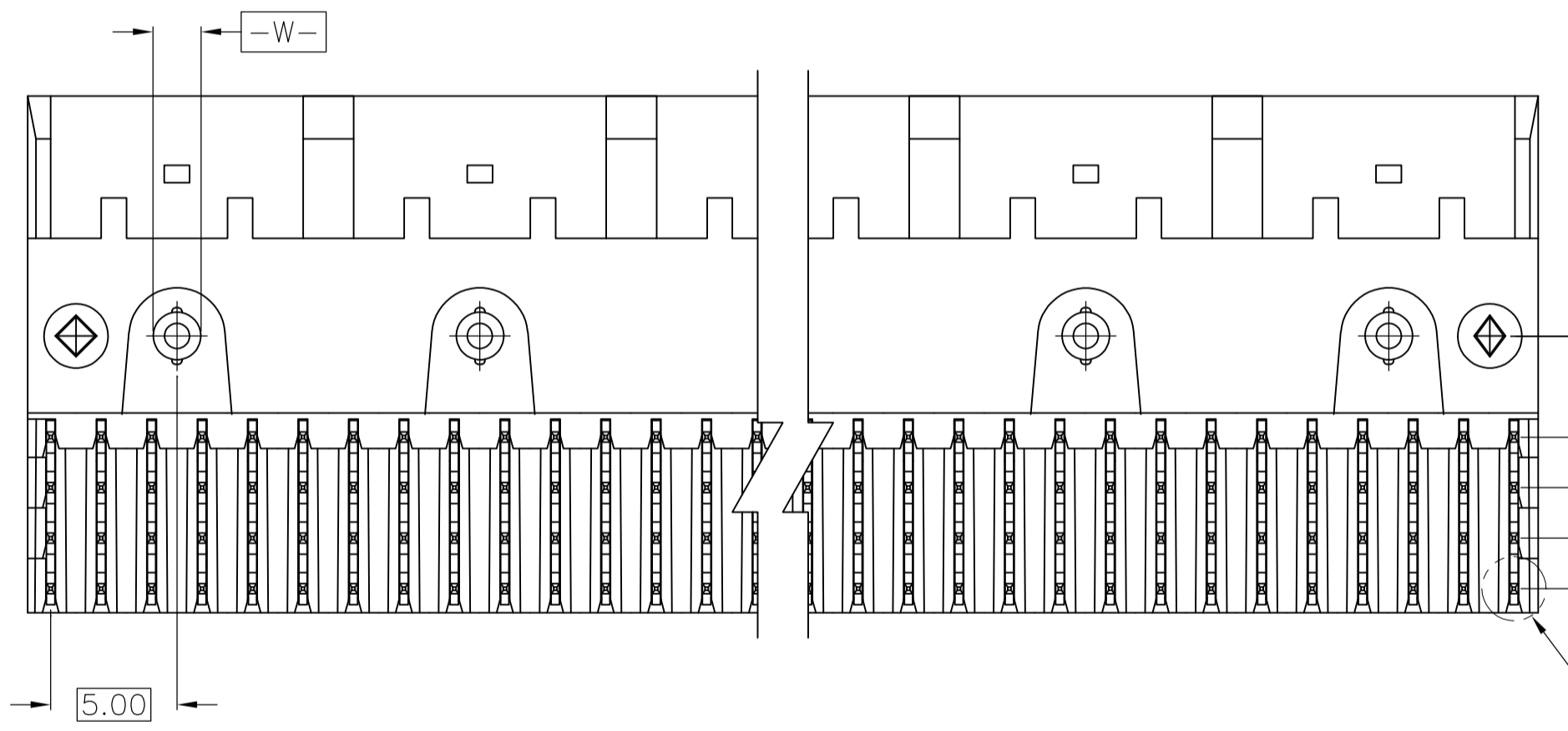
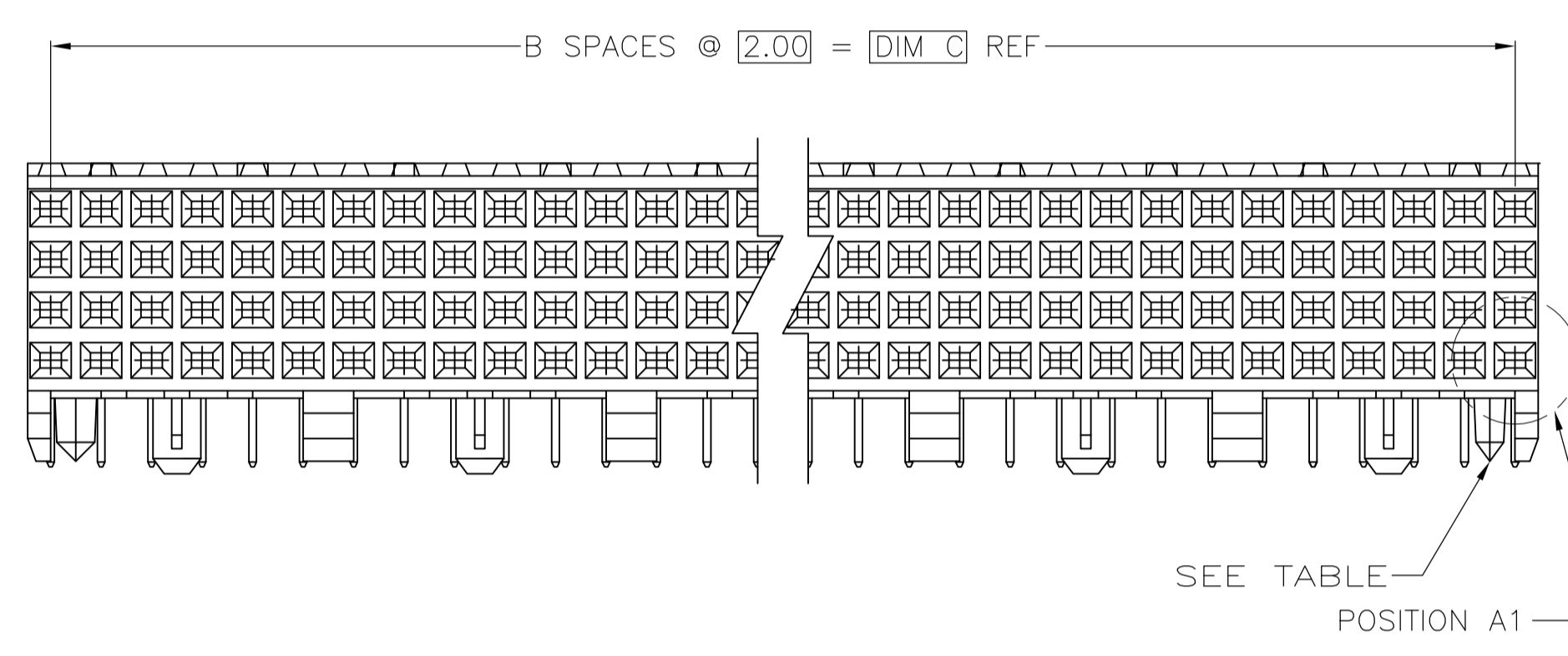
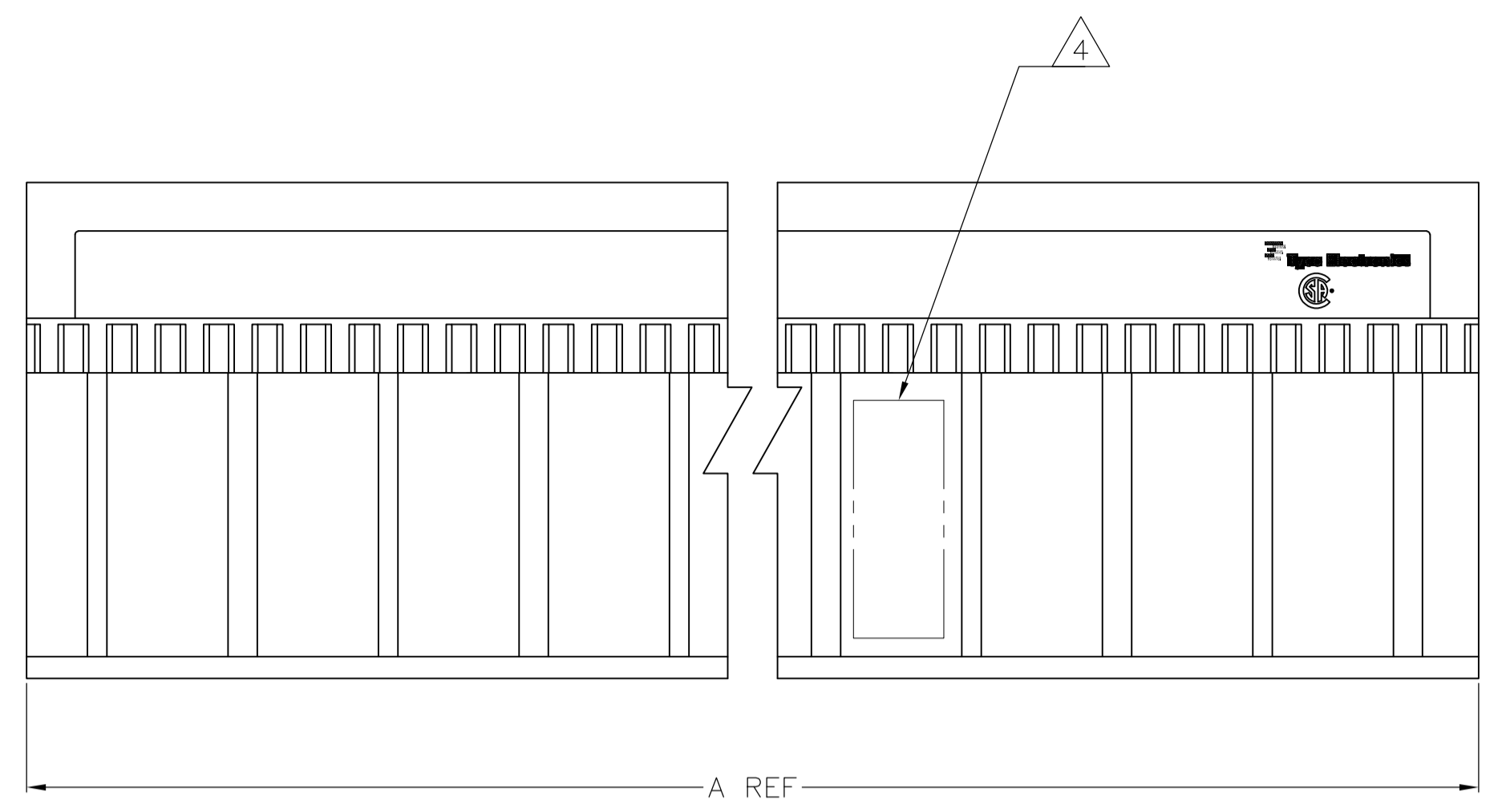
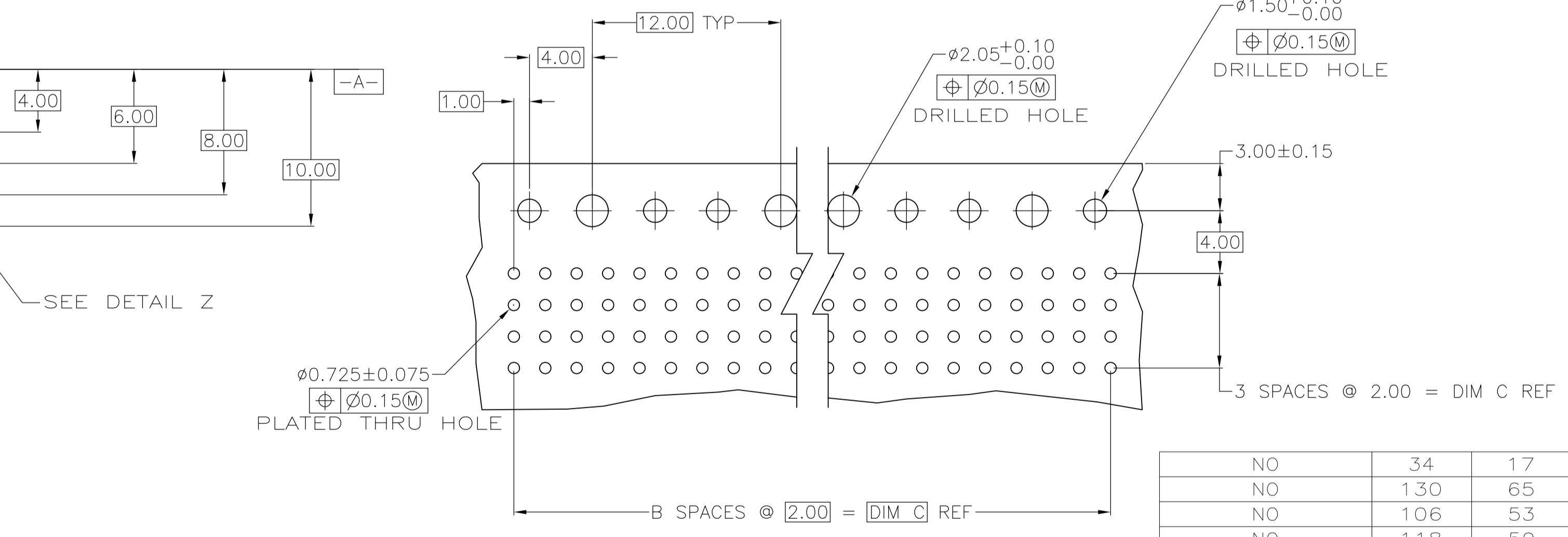


LOC		DIST		REVISIONS			
P	LTR	DESCRIPTION	DATE	DMN	APVD		
02		REVISED PER ECO-08-019083	05AUG08	DH	AS		
03		REVISED PER ECO-10-000444	19JAN10	KK	HMR		



TYPICAL COLD HOLD FOR ALL ASSEMBLIES



RECOMMENDED CIRCUIT PATTERN PER IPC-D300 TYPE II, CLASS C (COMPONENT SIDE)

NO	34	17	35.88	△3	72	1-5536507-1
NO	130	65	131.88	△3	264	△1-5536507-0
NO	106	53	107.88	△3	216	△5536507-9
NO	118	59	119.88	△3	240	△5536507-8
NO	70	35	71.88	△3	144	5536507-7
NO	58	29	59.88	△3	120	5536507-6
NO	82	41	83.88	△3	168	5536507-5
NO	94	47	95.88	△3	192	5536507-4
NO	46	23	47.88	△3	96	5536507-3
NO	22	11	23.88	△3	48	5536507-2
YES	10	5	11.88	△3	24	5536507-1
POSITIONING PEGS	C	B	A	FINISH	NO OF POSN	PART NUMBER

- △1 HOUSING MATERIAL: LIQUID CRYSTAL POLYMER
COLOR: NATURAL.
- △2 CONTACT MATERIAL: PHOSPHOR-BRONZE.
- △3 CONTACT FINISH:
UNDERPLATE (ENTIRE CONTACT) -
0.00127 MIN NICKEL PER SAE-AMS-QQ-N-290.
ON MATING SURFACES-
CONFORMS TO ALL TESTING SPECIFIED FOR TELCORDIA UNCONTROLLED ENVIRONMENT
ON LEADS-
0.00381 MIN TIN PER ASTM B 545, OVER UNDERPLATE
LUBRICATION (MIN MATING SURFACES)
SURFACE CONDITIONER PER AMP SPEC. 112-1002 AFTER PLATING.
- △4 PART MARKING, LOCATED APPROXIMATELY AS SHOWN.
- △5 OBSOLETE PARTS: OBSOLETE CIS STREAMLINING PER D.RENAUD/D.SINISI

THIS DRAWING IS A CONTROLLED DOCUMENT. DIM B MCMMASTER 30AUG04 Tyco Electronics Corporation
 DIM R WERTZ 30AUG04 Harrisburg, Pa 17105-3608
 DIM R WERTZ 30AUG04 NAME RECEPTACLE ASSEMBLY, SIGNAL MODULE,
 PRODUCT SPEC Z-PACK, 2mm FB, 4 ROW, 2.73mm LEAD LENGTH
 APPLICATION SPEC
 MATERIAL △1 △2 FINISH △3 WEIGHT - A1 00779 C=5536507 RESTRICTED TO
 CUSTOMER DRAWING SCALE 4:1 SHEET 1 OF 1 REV 03