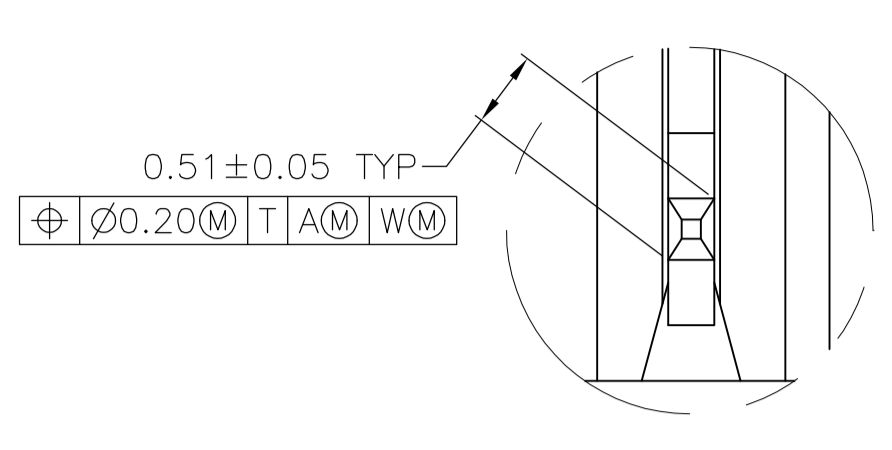
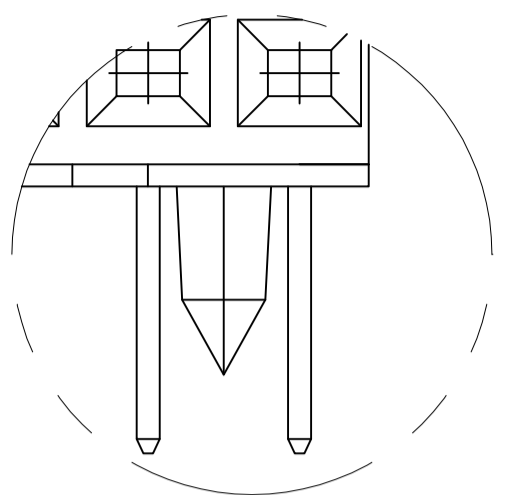
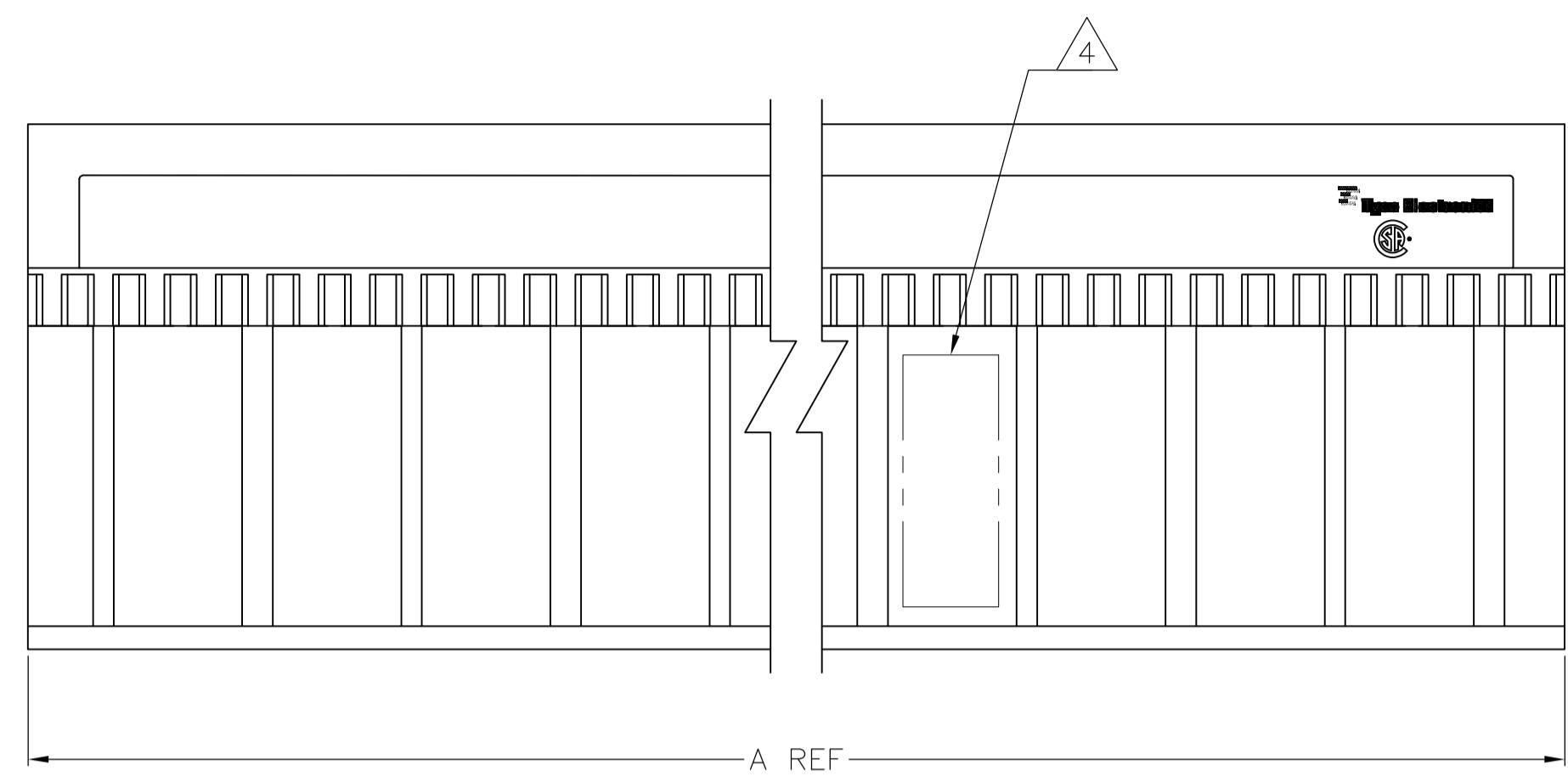
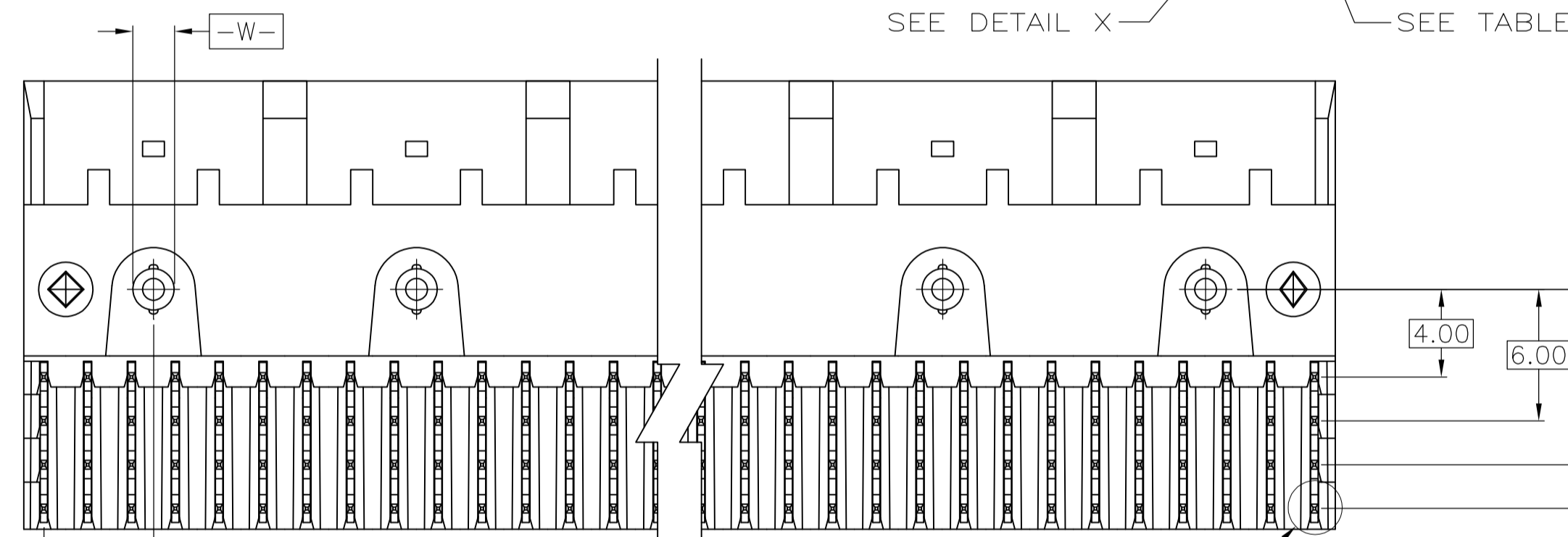
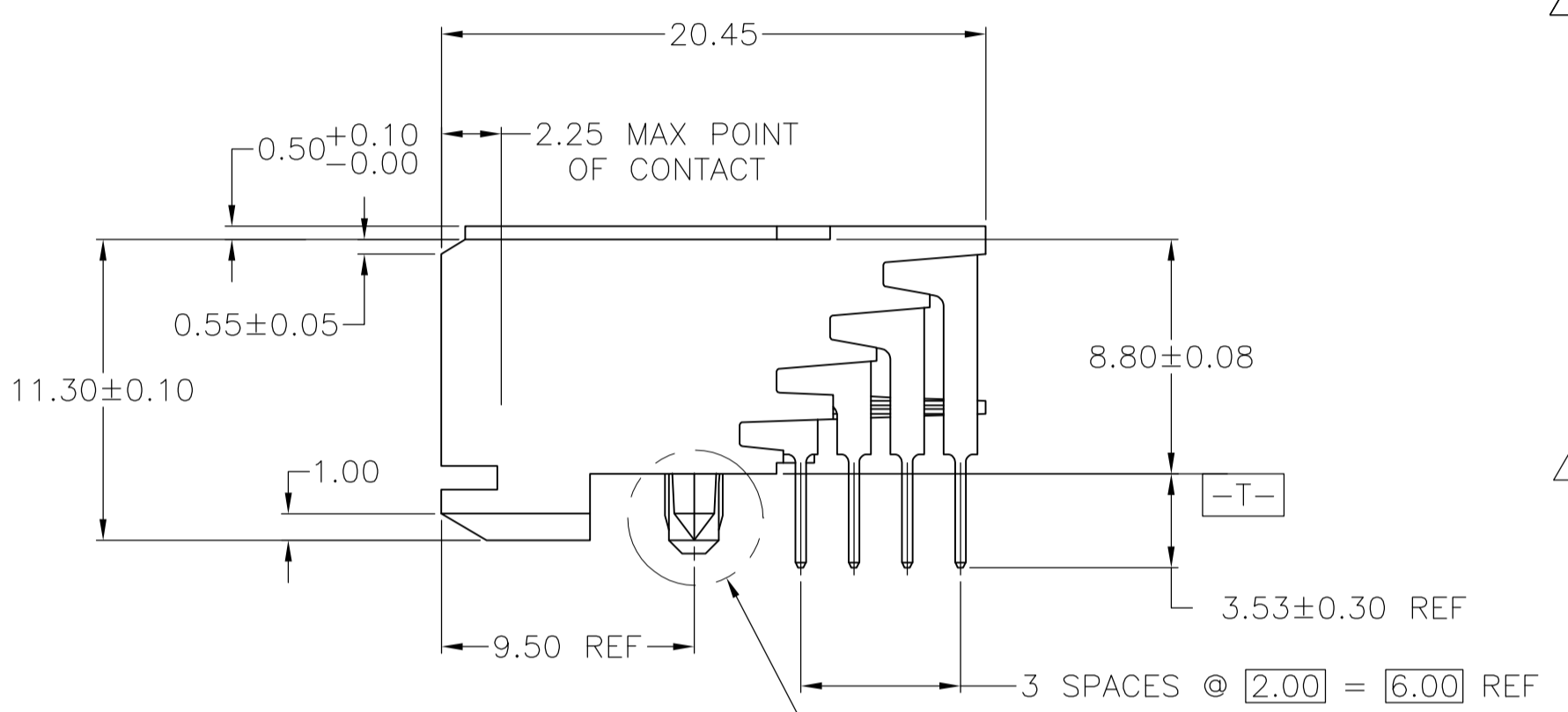
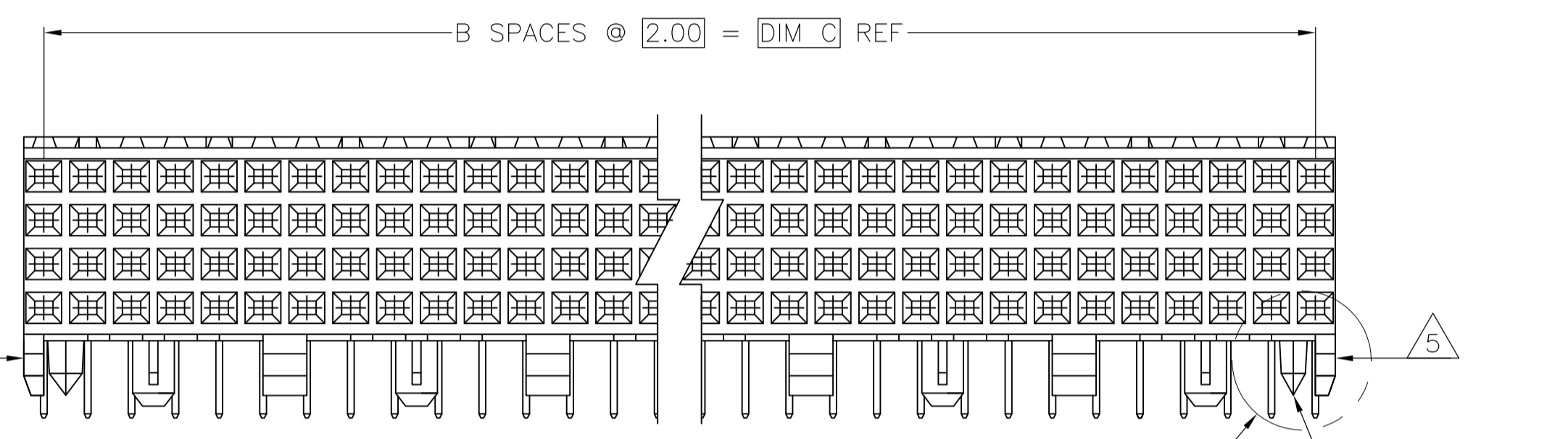


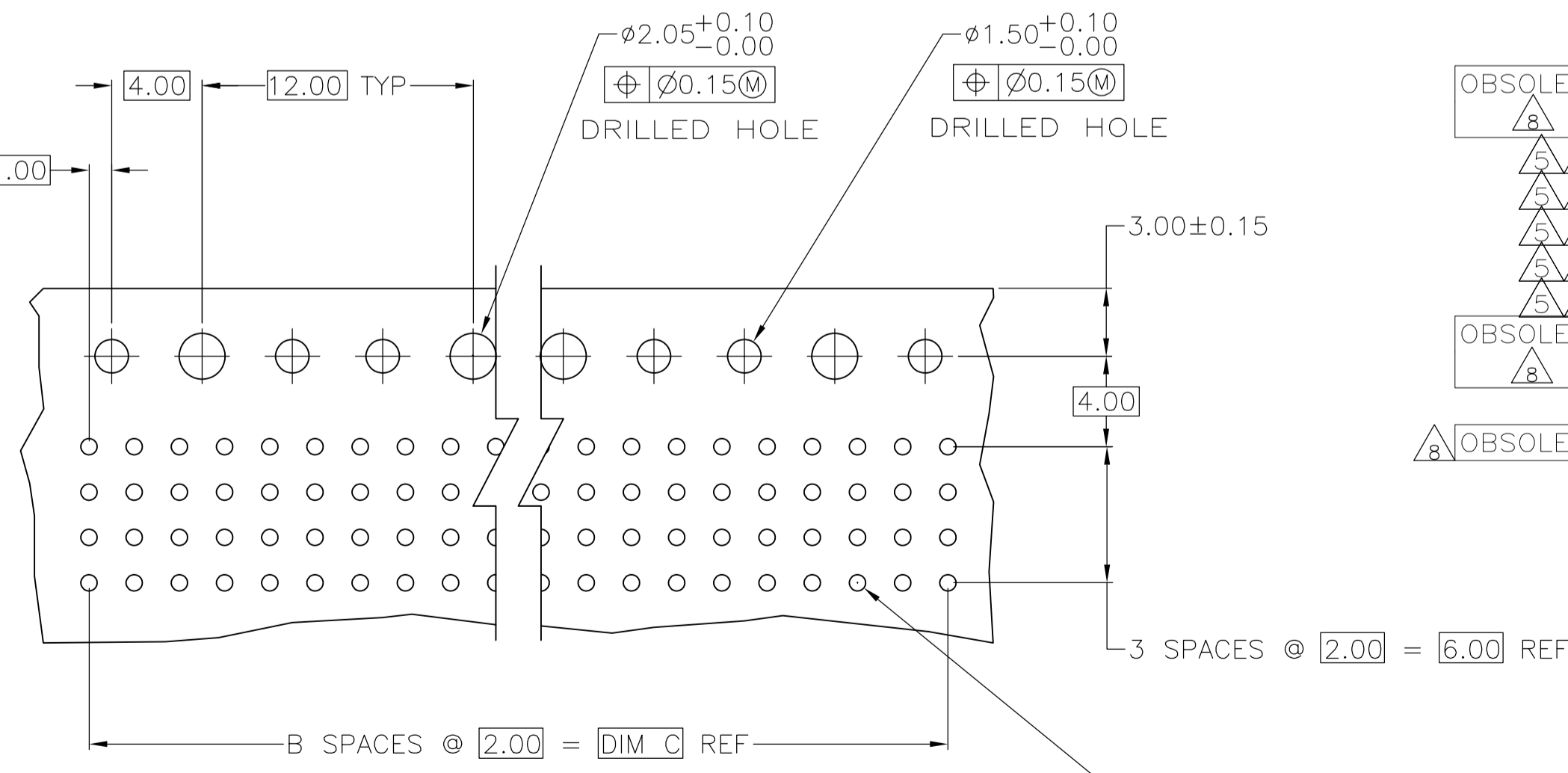
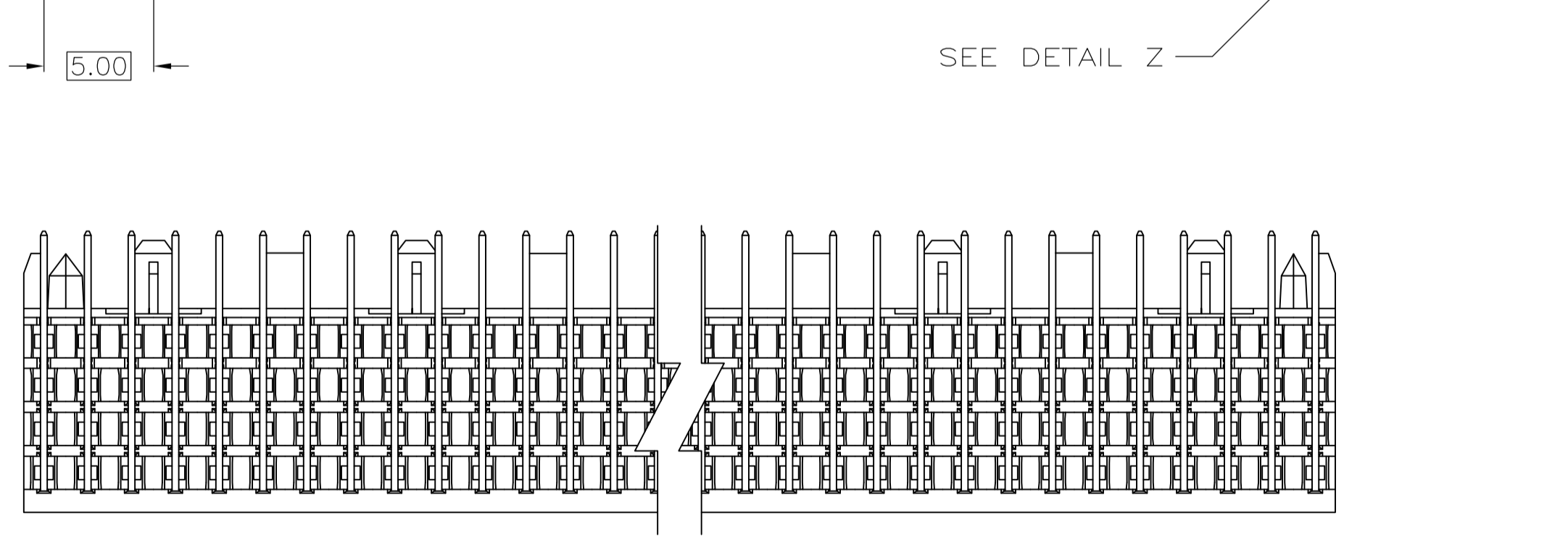
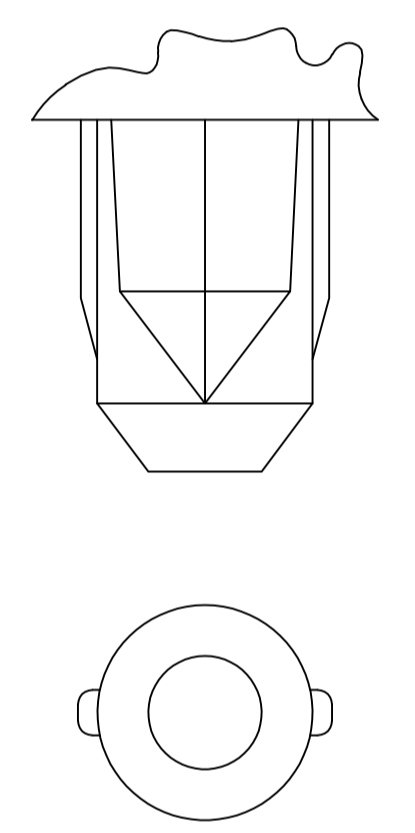
LOC		DIST		REVISIONS			
AD	00	REV	DATE	BY	CHK	APP'D	
A2		REVISED PER ECO-08-009162	17APR08	DH	AS		
A3		REVISED PER ECO-10-000444	19JAN10	KK	HMR		



- 1 HOUSING MATERIAL: LIQUID CRYSTAL POLYMER.
COLOR: NATURAL.
- 2 CONTACT MATERIAL: PHOSPHOR-BRONZE.
- 3 CONTACT FINISH:
UNDERPLATE (ENTIRE CONTACT) -
0.00127 MIN NICKEL PER SAE-AMS-QQ-N-290.
ON MATING SURFACES-
CONFORMS TO ALL TESTING SPECIFIED FOR TELCORDIA
UNCONTROLLED ENVIRONMENT
ON LEADS-
0.00381 MIN TIN PER ASTM B 545, OVER UNDERPLATE
LUBRICATION (MIN MATING SURFACES):
SURFACE CONDITIONER AFTER PLATING.
- 4 PART MARKING, LOCATED APPROXIMATELY AS SHOWN.
- 5 CUSTOMIZED PART, HOUSING MOLDED WITHOUT END GUIDE LUGS.
- 6 OBSOLETE PART NUMBER.
- 7 CONTACT FINISH:
UNDERPLATE (ENTIRE CONTACT) -
0.00127 MIN NICKEL PER SAE-AMS-QQ-N-290.
ON MATING SURFACES-
CONFORMS TO ALL TESTING SPECIFIED FOR TELCORDIA
UNCONTROLLED ENVIRONMENT
ON LEADS-
FLASH GOLD PER ASTM B 488, OVER UNDERPLATE
LUBRICATION (MIN MATING SURFACES):
SURFACE CONDITIONER AFTER PLATING.
- 8 OBSOLETE PARTS: OBSOLETE CIS STREAMLINING PER
D.RENAUD/D.SINISI



REFER TO DETAIL FOR COLD HOLD CONFIGURATION



NO	70	35	71.88	7	144	2-5536510-8	
NO	94	47	95.88	7	192	2-5536510-7	
NO	46	23	47.88	7	96	2-5536510-6	
NO	22	11	23.88	7	48	2-5536510-5	
OBSOLETE	YES	94	47	95.88	3	192	-2-5536510-4
YES	46	23	47.88	3	96	-2-5536510-3	
NO	34	17	35.88	3	72	1-5536510-5	
NO	22	11	23.88	3	48	1-5536510-4	
NO	94	47	95.88	3	192	1-5536510-3	
NO	106	53	107.88	3	216	1-5536510-2	
NO	70	35	71.88	3	144	1-5536510-1	
OBSOLETE	NO	130	65	131.88	3	264	-1-5536510-0
NO	106	53	107.88	3	216	-5536510-9	
NO	118	59	119.88	3	240	5536510-8	
OBSOLETE	NO	82	41	83.88	3	168	-5536510-7
NO	58	29	59.88	3	120	5536510-6	
NO	70	35	71.88	3	144	5536510-5	
NO	94	47	95.88	3	192	5536510-4	
NO	46	23	47.88	3	96	5536510-3	
NO	22	11	23.88	3	48	5536510-2	
YES	10	5	11.88	3	24	5536510-1	
POSITIONING PEGS	C	B	A	FINISH	NO OF POSN	PART NUMBER	

THIS DRAWING IS A CONTROLLED DOCUMENT.

DIN B MCMASTER 31AUG04
 CHK R WERTZ 31AUG04
 APP'D R WERTZ 31AUG04

Tyco Electronics Corporation
 Harrisburg, PA 17105-3608

RECEPTACLE ASSEMBLY, SIGNAL MODULE,
 Z-PACK 2mm FB,4 ROW, 3.53mm LEAD LENGTH

APPLICATION SPEC
 SIZE CAGE CODE DRAWING NO
 WEIGHT -- A1 00779 C=5536510

CUSTOMER DRAWING SCALE 4:1 SHEET 1 OF 1 REV A3